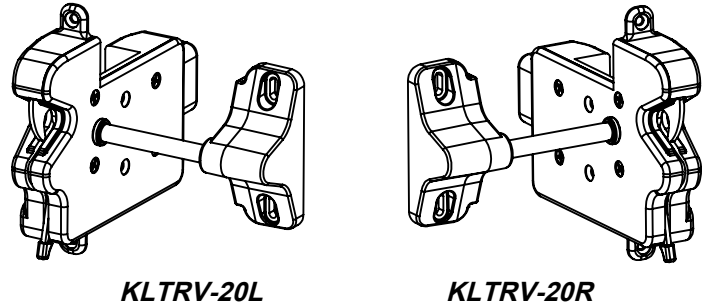
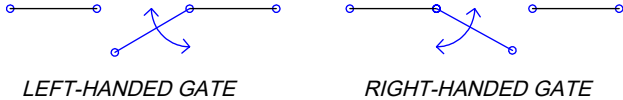


PLEASE CAREFULLY READ ALL OF THE INSTRUCTIONS PRIOR TO INSTALLATION

STEP 1

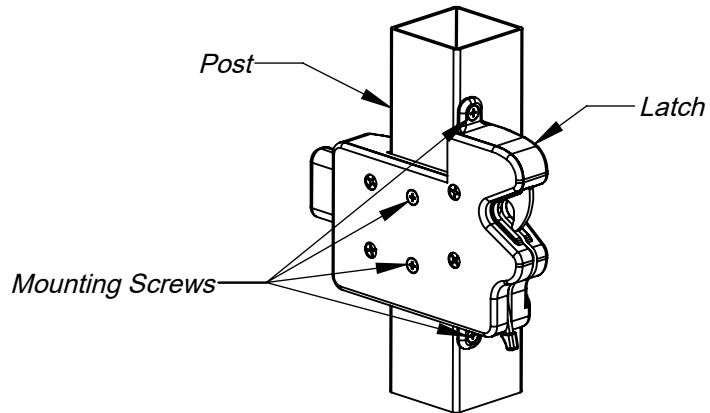
The KLTRV-20 latch is designed for use on 2" fence posts. KLTRV-20L must be used for left-hand applications, and KLTRV-20R must be used for right-hand applications.



STEP 2

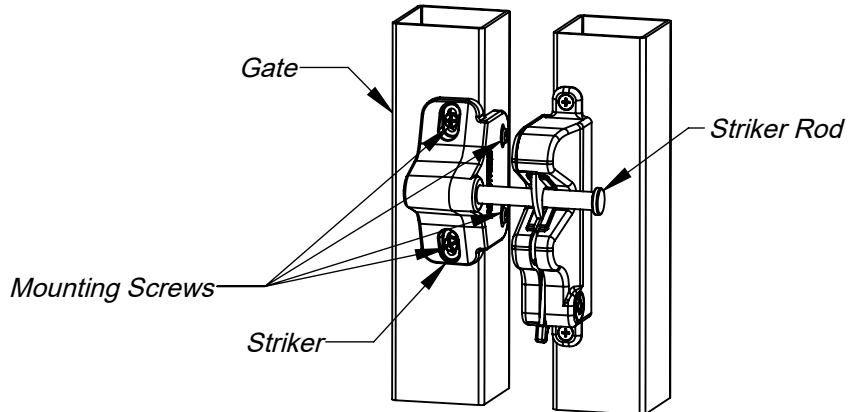
Determine the desired mounting height for the KLTRV-20 latch on the fence post. Attach the latch to the post using the included (4) flat head screws.

NOTE: KLTRV-20R shown in steps 2-4.



STEP 3

With the gate closed, position the striker with the striker rod within the latch assembly, behind the latch mechanism. Mark the centerpoints of the four mounting holes, and drill appropriate pilot holes for the mounting screws. Realign the latch and striker, and attach to the gate post with the included (4) pan head screws.



STEP 4

After installation, test the locking and unlocking of the latch. The latch can be locked and unlocked from either side of the gate.

