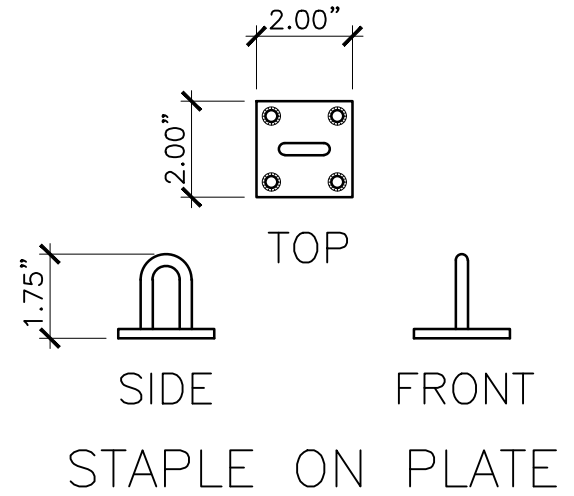
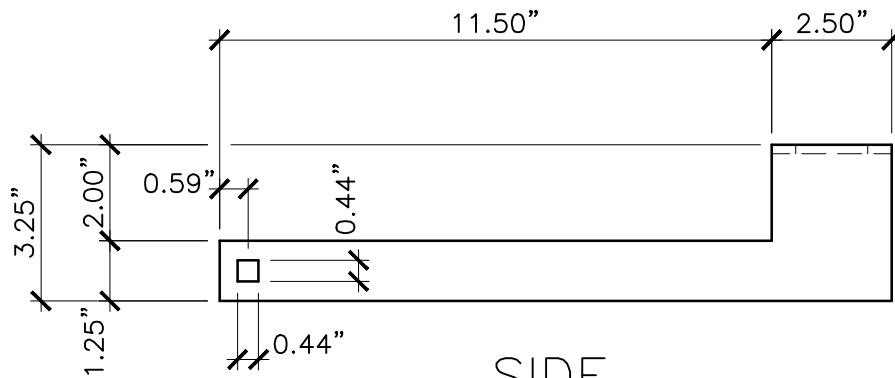


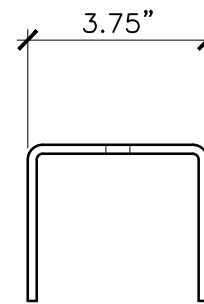
TOP



STAPLE ON PLATE




SIDE



FRONT



SIDE ASSEMBLED

<p>PROPERTY OF:</p> 	<p>PRODUCT DESCRIPTION:</p> <p>3" THROW OVER GATE LOOP</p> <p>ALL DIMENSIONS $\pm 0.125"$</p>	<p>PART NUMBER:</p> <p>4200-03</p>
---	--	------------------------------------