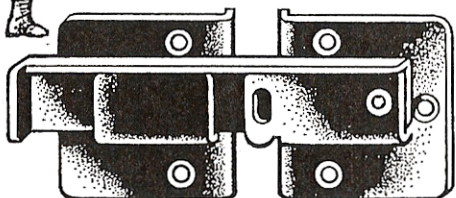




HEAVY DUTY DOUBLE GATE LATCH SENTRY LATCH

- Use on steel gate frames, wood on steel, ornamental, polyvinyl and wood gates.
- Allows access only from outside of gate.
- Black powder coat finish.
- Lockable.
- Stainless steel flat head machine screws included.
- Drop rod still recommended.

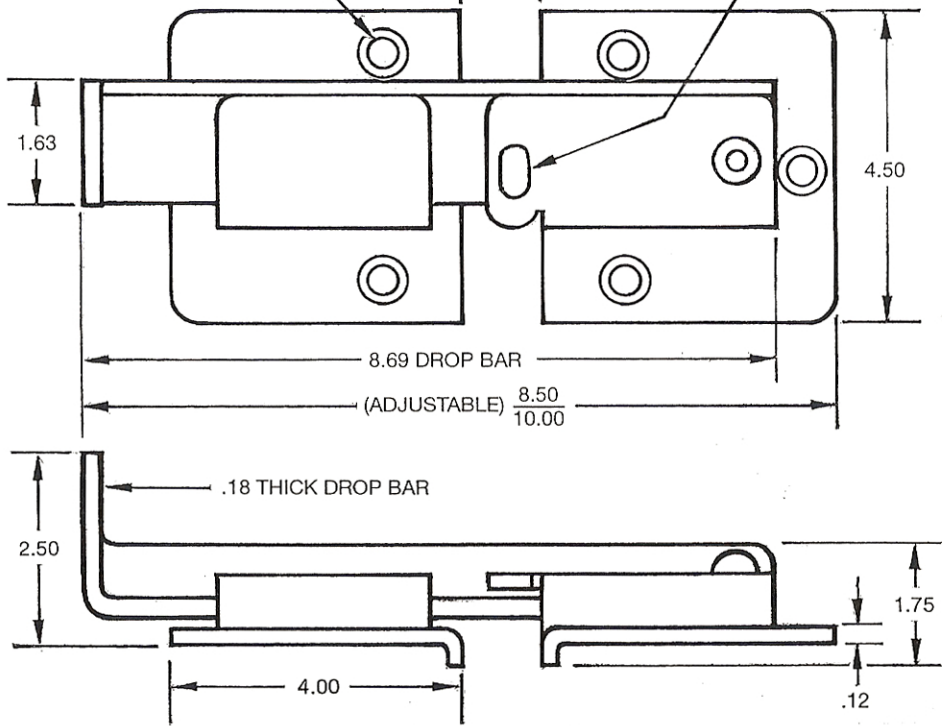


5/16"
COUNTER SUNK
HOLE

(ADJUSTABLE)

.33 X .75
PADLOCK
HOLE

1.00
2.50



DAC 1-800-888-9768
www.dacindustries.com
INDUSTRIES

JOB / PROJECT

DATE

OF