

ADAPTER*

Allows for 1 3/4" square pipe.

No. 4999

STRONG ARM

WALK GATE LATCH

For 2 1/2" Post

Fits 2" square frame.

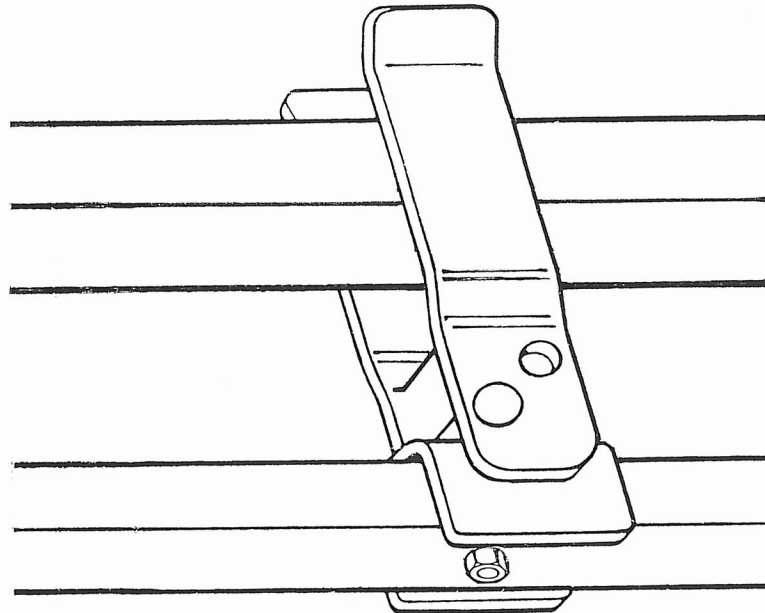
Allows for 2 1/4" to 5" gap.

No. 4290-B

LOCKABLE

BLACK POWDER-COAT FINISH

LATCH BOLTS TO GATE FRAME



STRONG ARM

WALK GATE LATCH

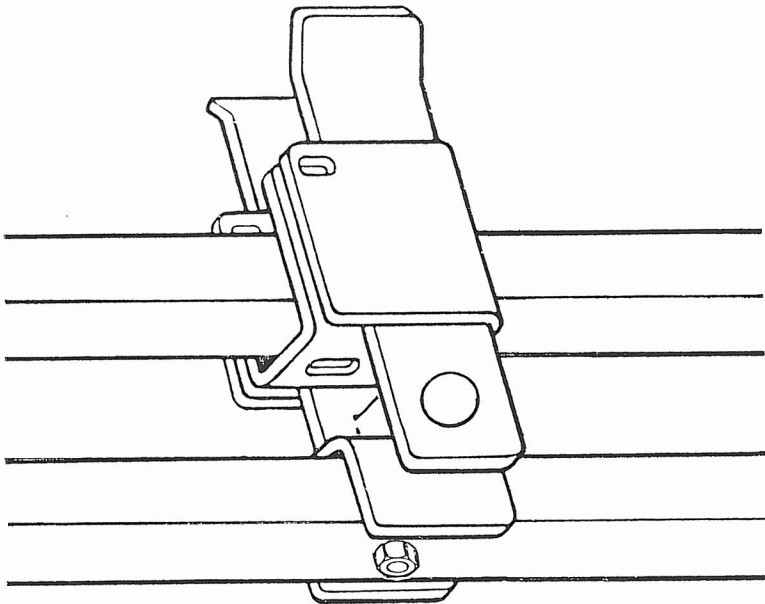
For 3" and 4" Post

Fits 2" square frame.

Allows for 3" to 5" gap.

No. 4390-B 3" Latch Post

No. 4490-B 4" Latch Post



COMMERCIAL

DOUBLE GATE LATCH*

Fits 2" square frame.

Adjusts for 2 1/4" to 3 1/4" gap.

No. 4090-B

*DROP ROD NOT REQUIRED

STRONG ARM LATCH
FOR SQUARE PIPE



1-800-888-9768
www.dacindustries.com
INDUSTRIES

JOB / PROJECT

DATE

OF