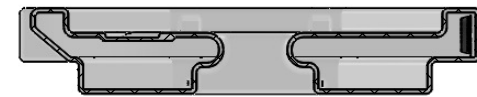
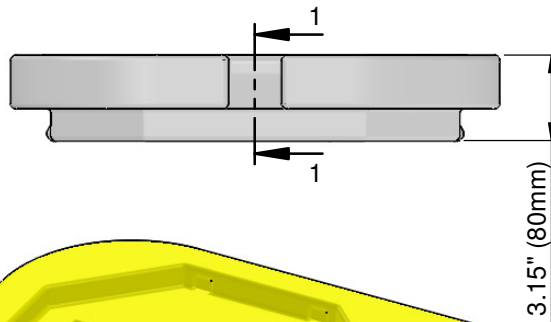
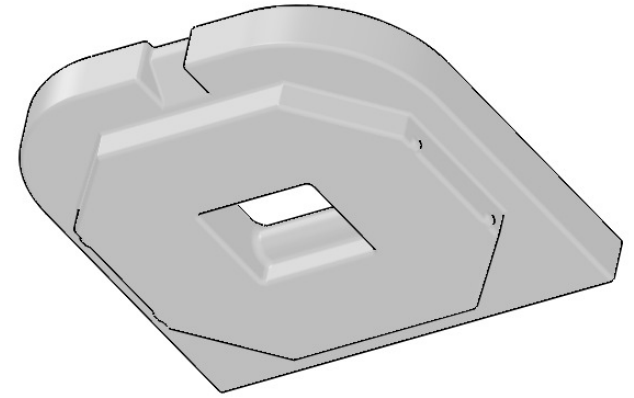
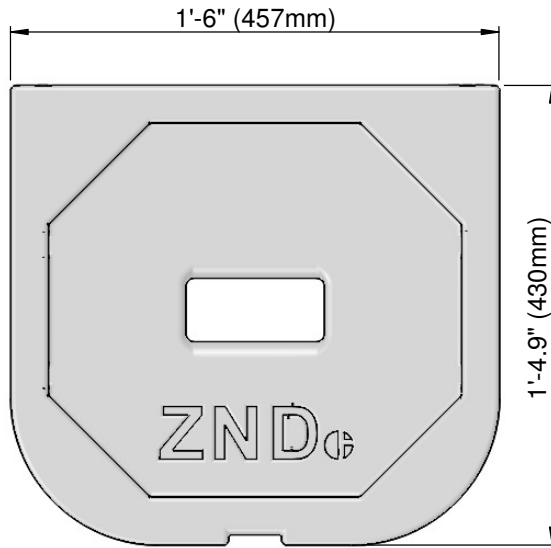
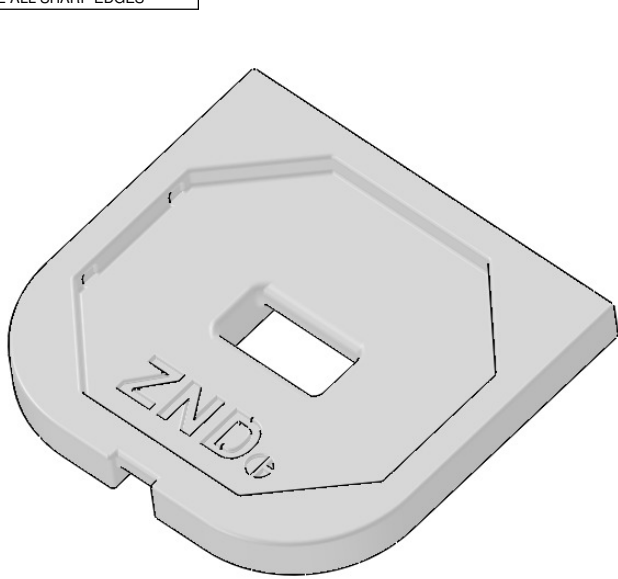
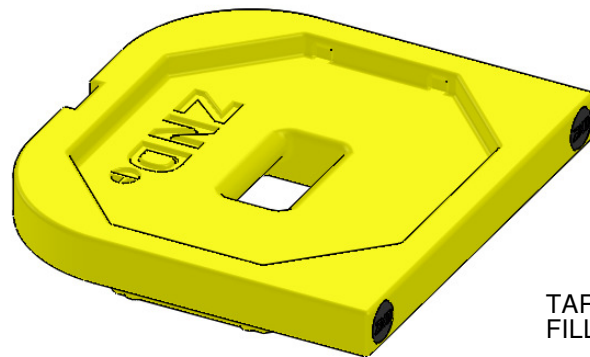
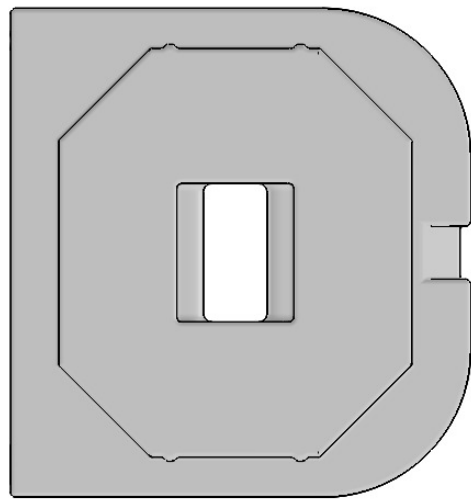


ALL DIMENSIONS IN MILLIMETRES
REMOVE ALL SHARP EDGES

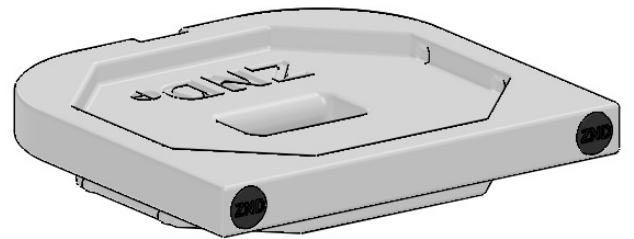
THIRD ANGLE PROJECTION
DO NOT SCALE DRAWING



SECTION 1-1



TARGET WEIGHT WHEN FILLED IS 25lb (11.3Kg)



WEIGHT NOTE:
EMPTY BLOCK = 2.0Kg BASED
ON WALL THICKNESS OF 4mm

WAS ZND1484

THE COMPANY RETAIN THE RIGHT TO PERIODICALLY ALTER INFORMATION WITHIN THIS DRAWING SHEET AND WILL ATTEMPT TO NOTIFY ALL PARTIES CONCERNED OF ANY CHANGES AND THE INFORMATION ON THIS SHEET SHOULD NOT BE REPRODUCED WITHOUT THEIR WRITTEN CONSENT.

TOLERANCES - UNLESS STATED OTHERWISE		
FABRICATION	UP TO 300mm	+/- 1mm
	UP TO 1000mm	+/- 2mm
	1001mm & ABOVE	+/- 3mm
	ANGULAR	+/- 1°
MACHINING	+/- 0.2mm	
TUBE GAUGE	T<1.5 = +/- 0.15mm T>1.5 = +/- 0.1T or +/- 0.35mm WHICHEVER IS THE SMALLER	
SHEET GAUGE	+/- 10%	
WEIGHT	+/- 10% (DUE TO MATERIAL PROPERTIES & TOLERANCES)	

TITLE: Z-BLOCK			
NAME	SIGNATURE	DATE	MATERIAL:
G. CRICK		23/9/21	HDPE
CHK'D			
FINISH:	COLOUR TO BE DETERMINED		
WEIGHT: SEE NOTES			

REV	DATE	DESCRIPTION	DRN	CHKD	APPR
7	15/6/22	ISSUED FOR MANUFACTURE	GC		
6	20/4/22	ISSUED FOR MANUFACTURE	GC		



Draw / Stockcode No.	Revision
12551121	7