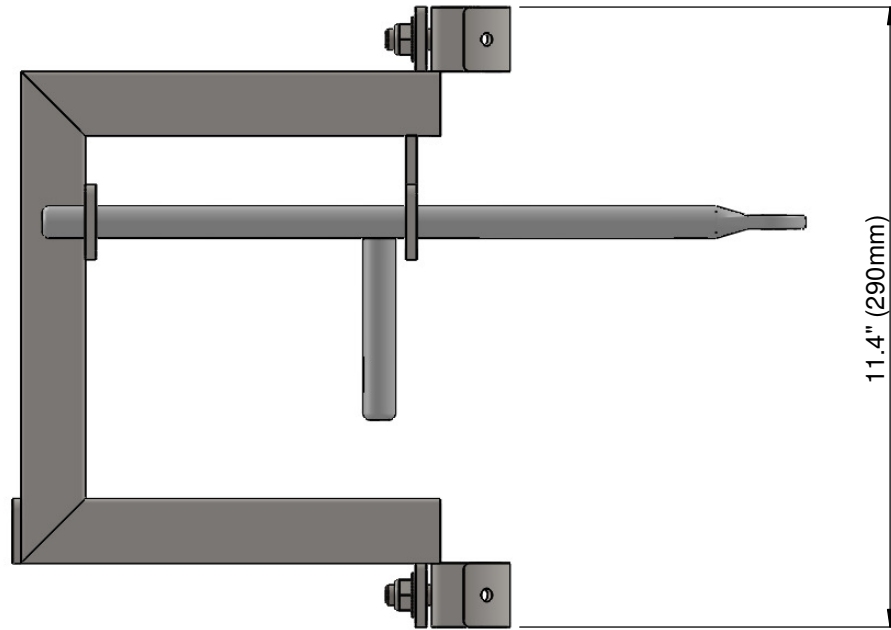
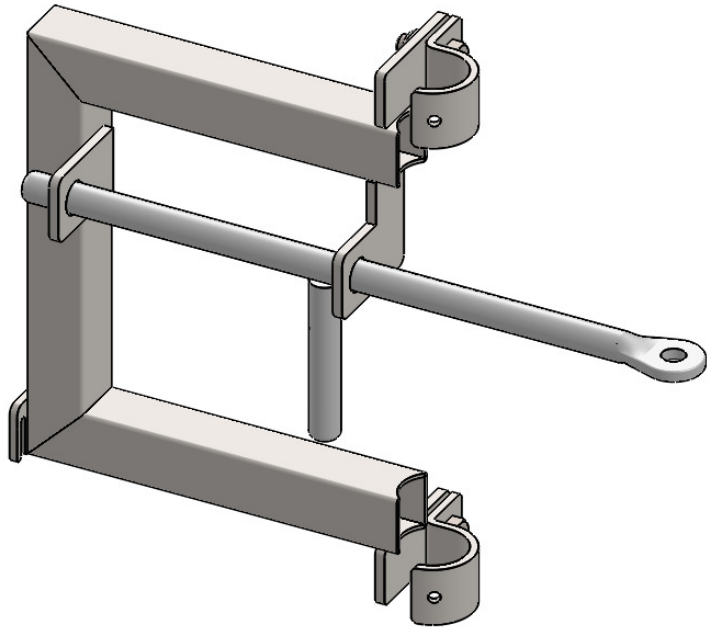
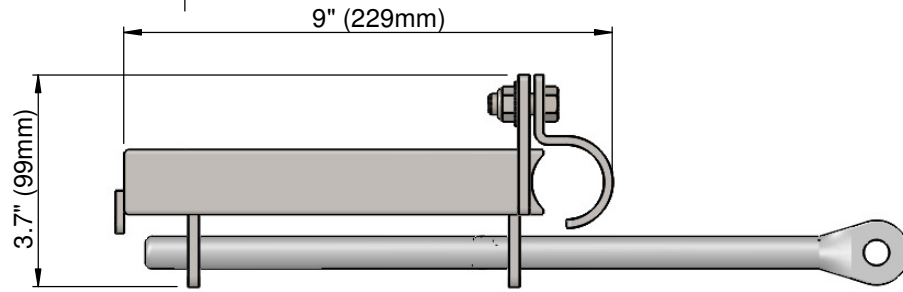


ALL DIMENSIONS IN MILLIMETRES  
REMOVE ALL SHARP EDGES

THIRD ANGLE PROJECTION  
DO NOT SCALE DRAWING



2	19/8/20	ISSUED FOR MANUFACTURE	GC		
1	26/6/20	ISSUED FOR MANUFACTURE	GC		
REV	DATE	DESCRIPTION	DRN	CHKD	APPR

TOLERANCES - UNLESS STATED OTHERWISE

FABRICATION	UP TO 300mm	+/- 1mm
	UP TO 1000mm	+/- 2mm
	1001mm & ABOVE	+/- 3mm
MACHINING	ANGULAR	+/- 1°
	GAUGE	+/- 10%
WEIGHT	+/- 10% (DUE TO MATERIAL PROPERTIES & TOLERANCES)	

TITLE:

**GATE LATCH MALE SIDE**

NAME	SIGNATURE	DATE
G. CRICK		10/3/20
CHK'D		

MATERIAL:  
**CARBON STEEL  
PRE-GALVANISED**

FINISH:  
**NONE**



Draw / Stockcode No.

**09053035**

Revision

**2**

THE COMPANY RETAIN THE RIGHT TO PERIODICALLY ALTER INFORMATION WITHIN THIS DRAWING SHEET AND WILL ATTEMPT TO NOTIFY ALL PARTIES CONCERNED OF ANY CHANGES AND THE INFORMATION ON THIS SHEET SHOULD NOT BE REPRODUCED WITHOUT THEIR WRITTEN CONSENT.

WEIGHT: 4.6 lbs (2.1Kg)

SCALE: 1:2.5

SHEET 1 OF 12

A3