



instant post holes

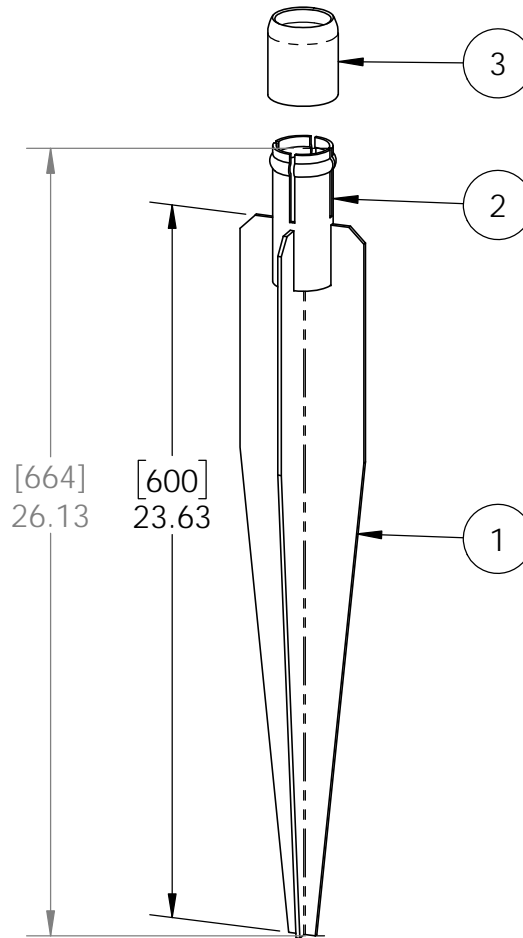
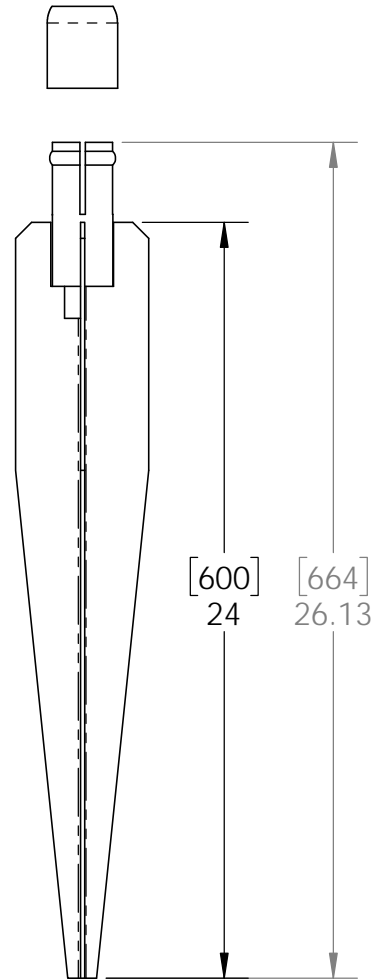
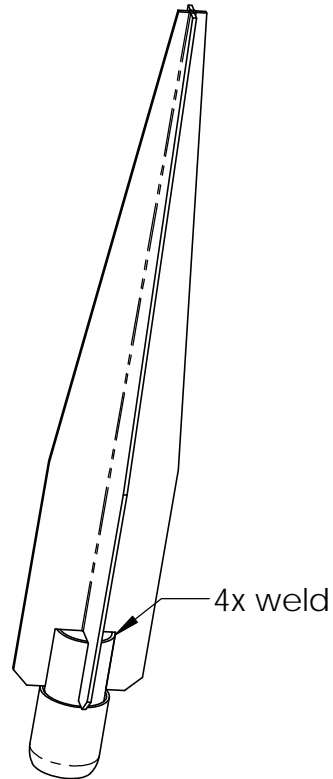
OZCO BUILDING PRODUCTS ■■■

Product & Packaging Specs

27" 1-5/8 Dia Post Anchor (GB-700)

Item #: 30000

ITEM NO.	QTY.	PART NUMBER	DESCRIPTION
1	1	30000-11	Assembly, Base Anchor
2	1	30000-13	Base, Post Anchor Steel
3	1	30000-14	Cap, Post Anchor Steel



Weight: 5.94 LBS
Scale: 1:6
Last updated: 10/14/2016

30000-10

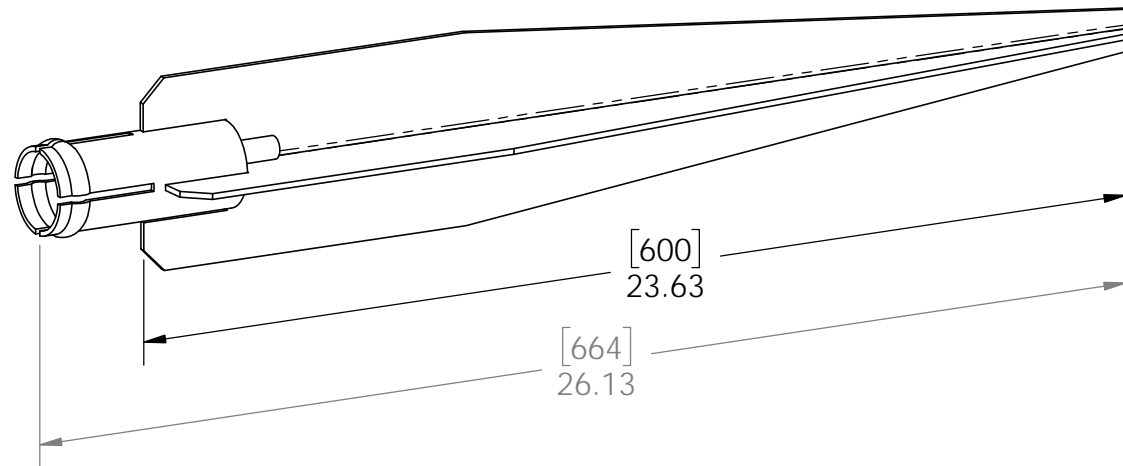
V2.00 - Installation Instructions, Specifications and Project Plans are effective 10/14/2016 . This information is updated periodically and should not be relied upon after 2 years from 10/14/2016 . Please visit OZCOBP.com to get current information.



Product & Packaging Specs

27" 1-5/8 Dia Post Anchor (GB-700)

Item #: 30000



Weight: 5.94 LBS
Scale: 1:4
Last updated: 10/14/2016

30000-10

OZ-POST

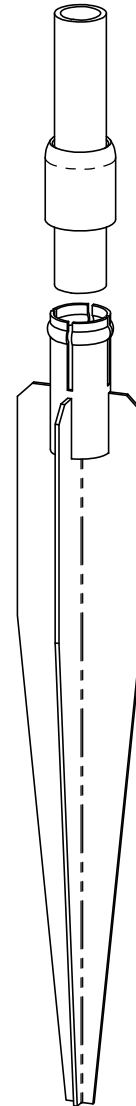
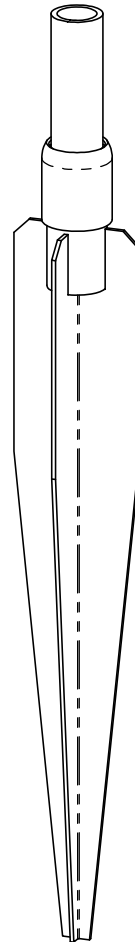
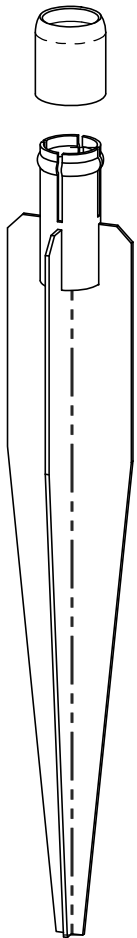
instant post holes

OZCO BUILDING PRODUCTS

Product & Packaging Specs

27" 1-5/8 Dia Post Anchor (GB-700)

Item #: 30000



Weight: 5.94 LBS
Scale: 1:6
Last updated: 10/14/2016

30000-10

V2.00 - Installation Instructions, Specifications and Project Plans are effective 10/14/2016 . This information is updated periodically and should not be relied upon after 2 years from 10/14/2016 . Please visit OZCOBP.com to get current information.



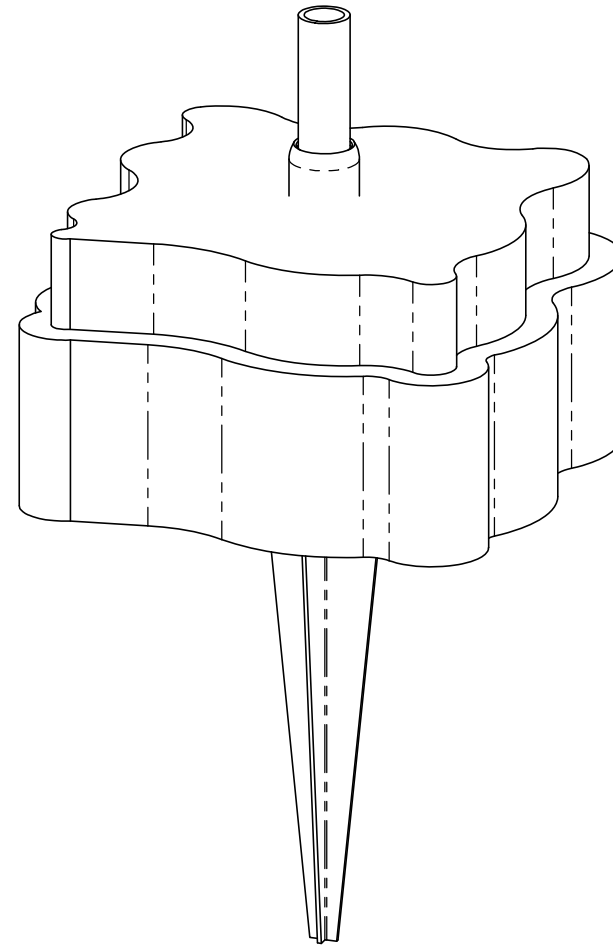
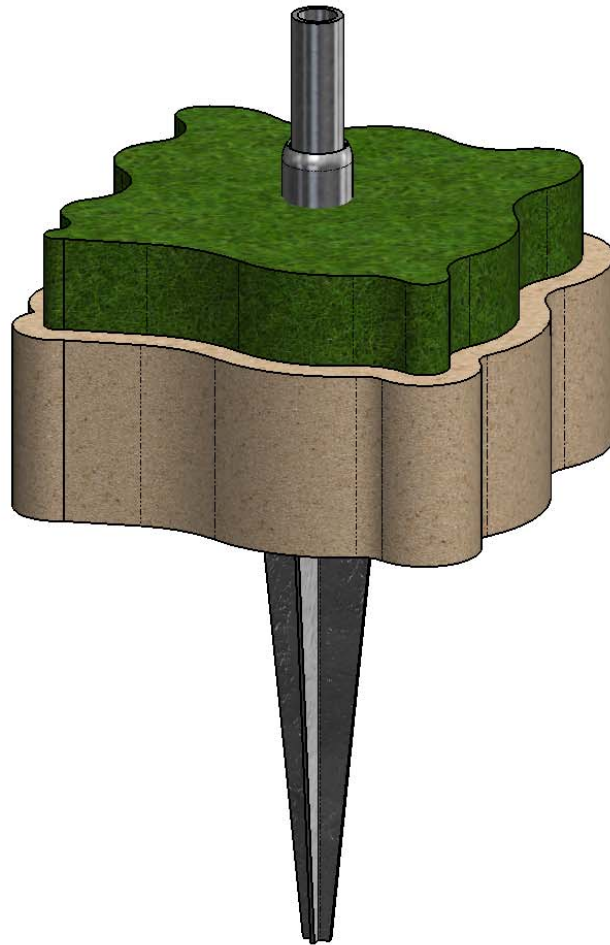
instant post holes

OZCO BUILDING PRODUCTS ■■■

Product & Packaging Specs

27" 1-5/8 Dia Post Anchor (GB-700)

Item #: Typical Installation



Weight: 5.94 LBS
Scale: 1:6
Last updated: 10/14/2016

30000-10



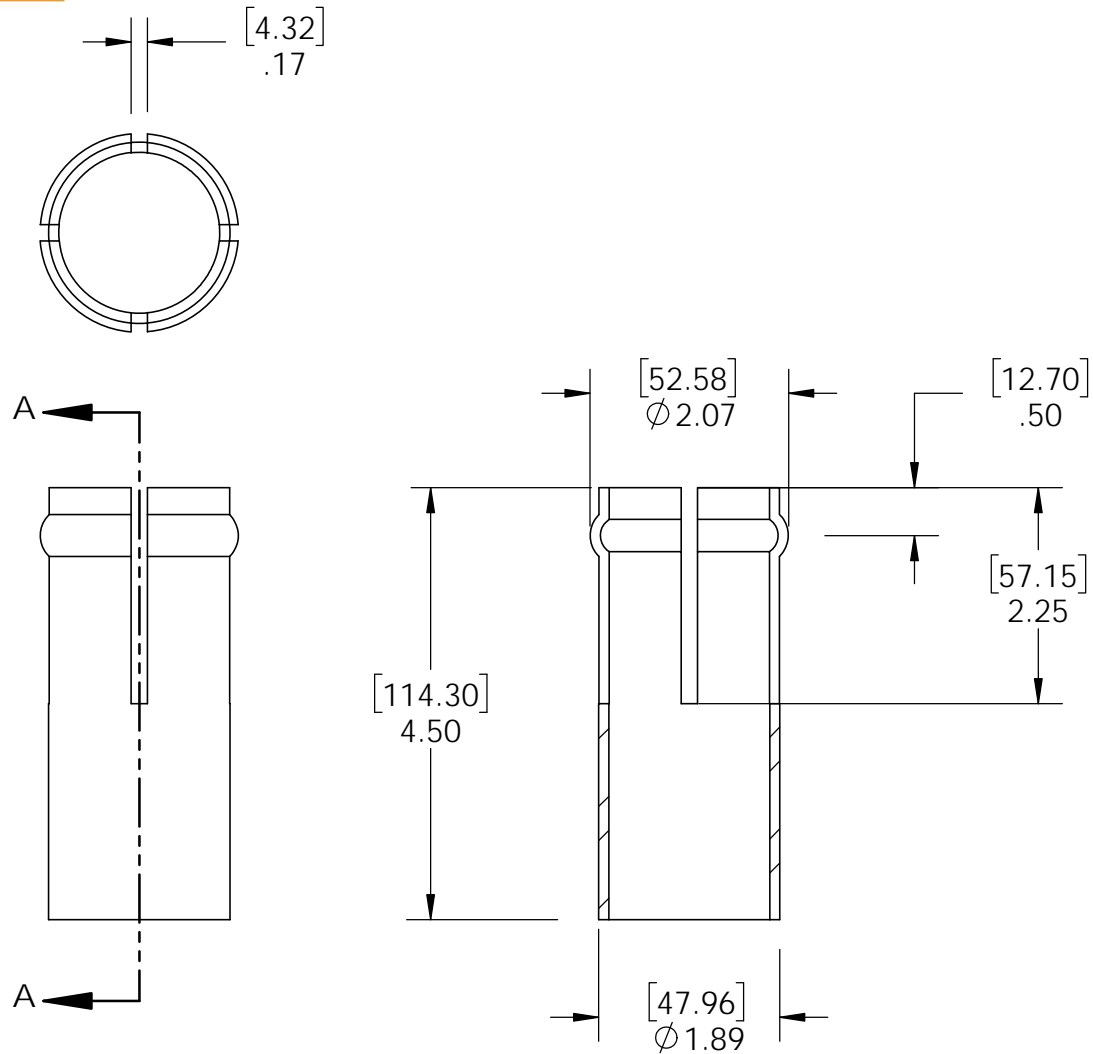
instant post holes

OZCO BUILDING PRODUCTS ■■■

Product & Packaging Specs

Base, Post Anchor Steel

Item #: 30000-13



Material: Galvanized Steel
Finish: -
Weight: 0.72 LBS
Scale: 1:2
Last updated: 10/14/2016

30000-10

SECTION A-A



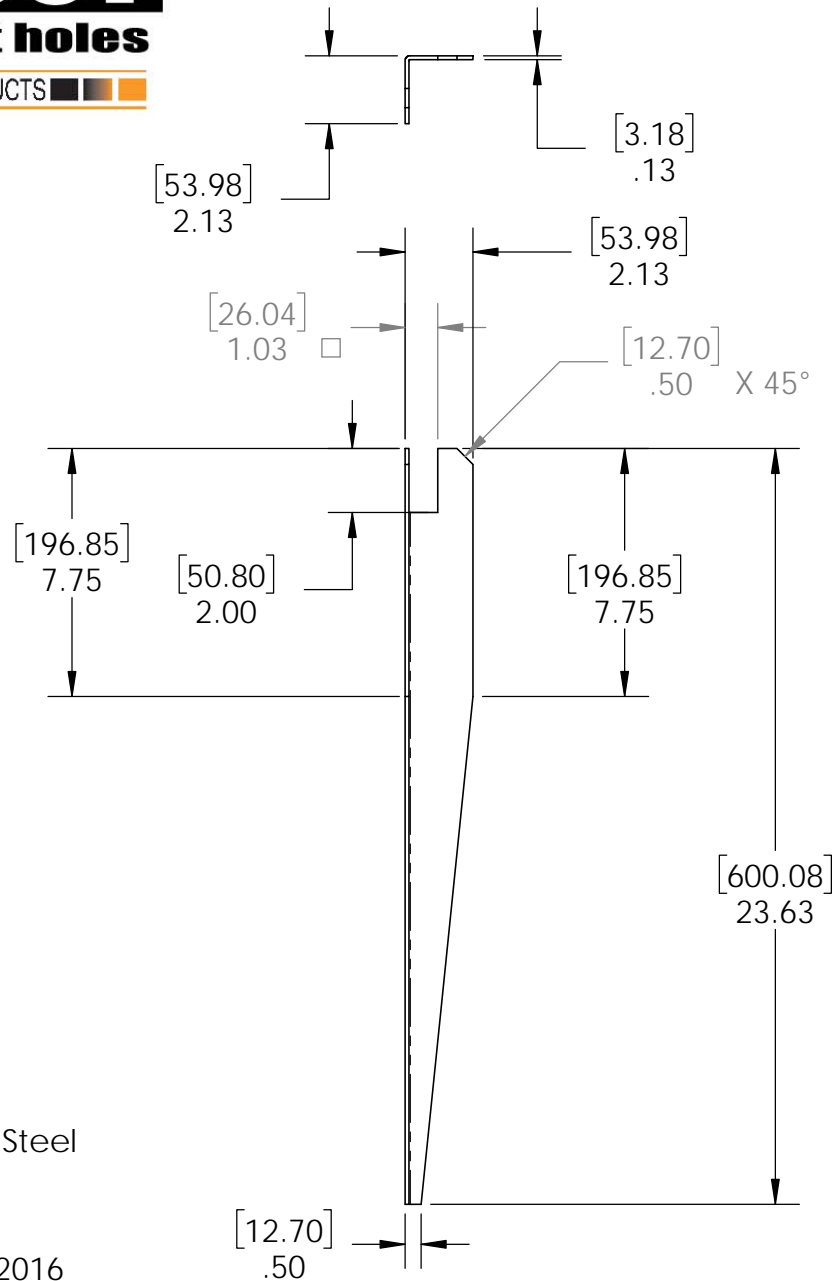
instant post holes

OZCO BUILDING PRODUCTS

Product & Packaging Specs

Plate, Base Anchor

Item #: 30000-12



Material: Galvanized Steel
Finish: -
Weight: 2.37 LBS
Scale: 1:6
Last updated: 10/14/2016

30000-10



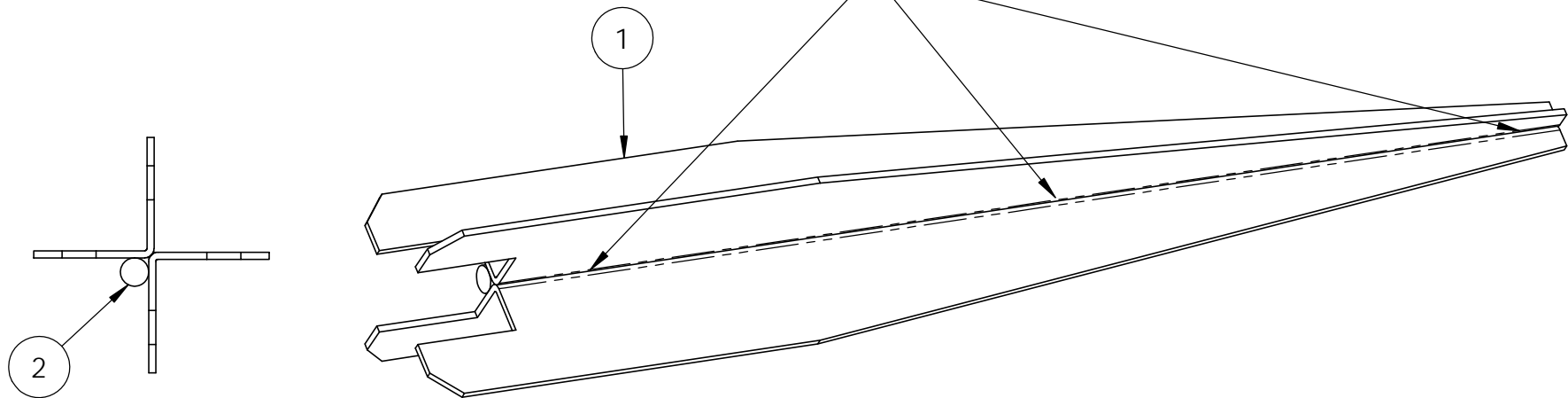
Product & Packaging Specs

Assembly, Base Anchor

Item #: 30000-11

ITEM NO.	QTY.	PART NUMBER	DESCRIPTION
1	2	30000-12	Plate, Base Anchor
2	1	56632-14	Cylinder, Base Anchor

Two pieces welded together at three points along length of anchor



Weight: 4.79 LBS
 Scale: 1:3
 Last updated: 10/14/2016

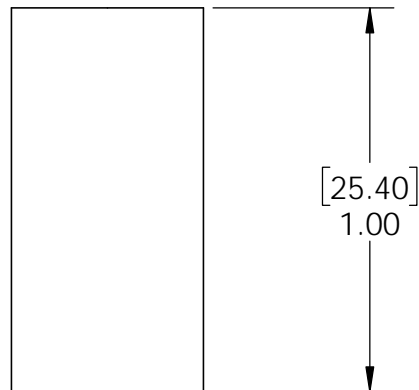
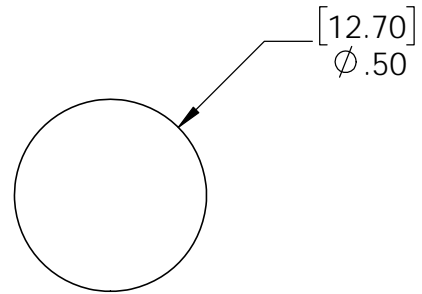
30000-10



Product & Packaging Specs

Cylinder, Base Anchor

Item #: 56632-14



Weight: 0.06 LBS
Scale: 1:2
Last updated: 10/14/2016

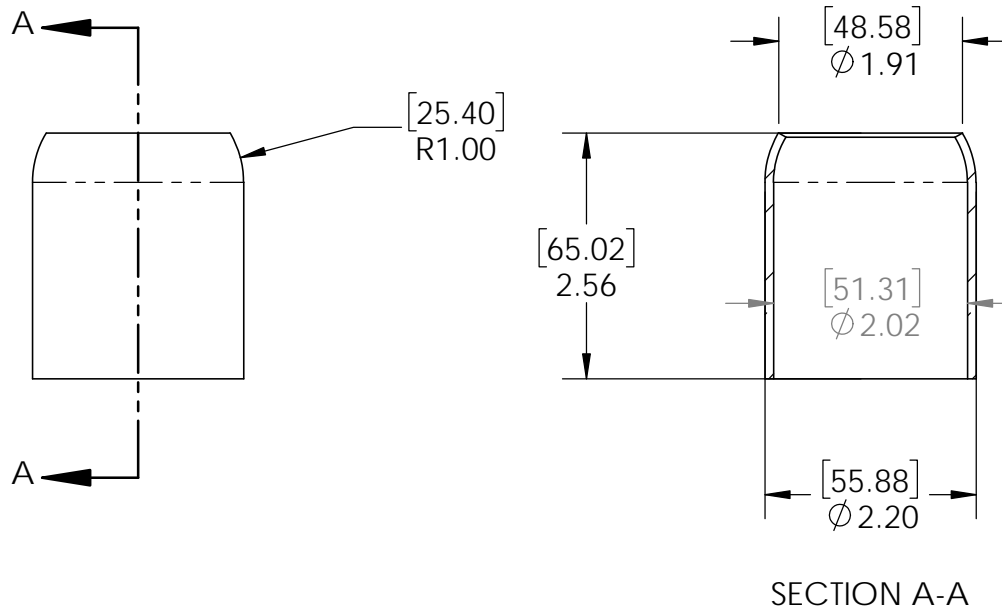
30000-10



Product & Packaging Specs

Cap, Post Anchor Steel

Item #: 30000-14



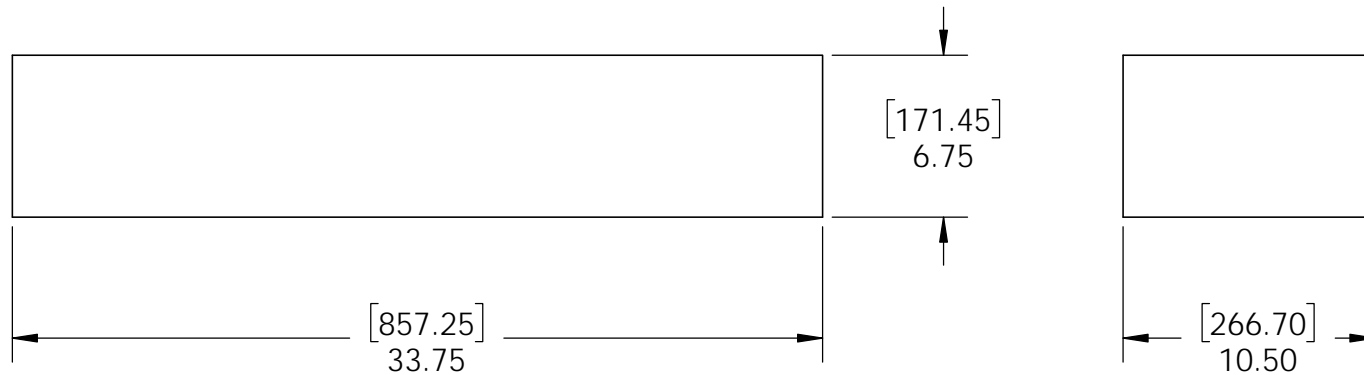
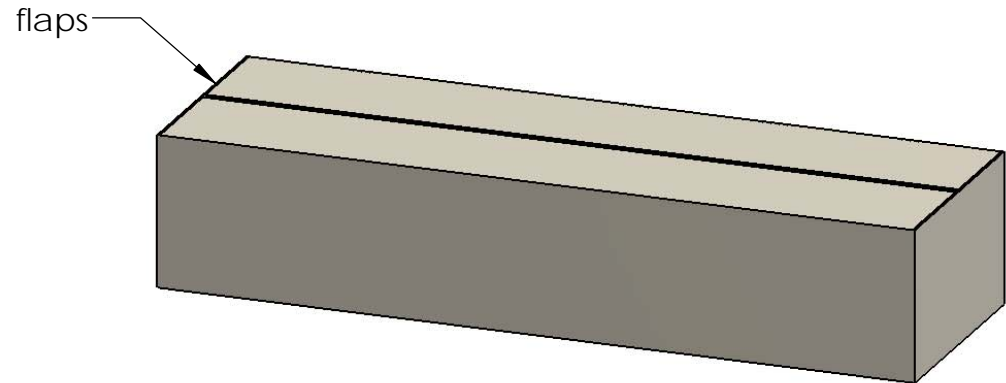
Material: Galvanized Steel
Finish: -
Weight: 0.43 LBS
Scale: 1:2
Last updated: 10/14/2016

30000-10



Product & Packaging Specs

Case, 30020
Item #: Case, 30000



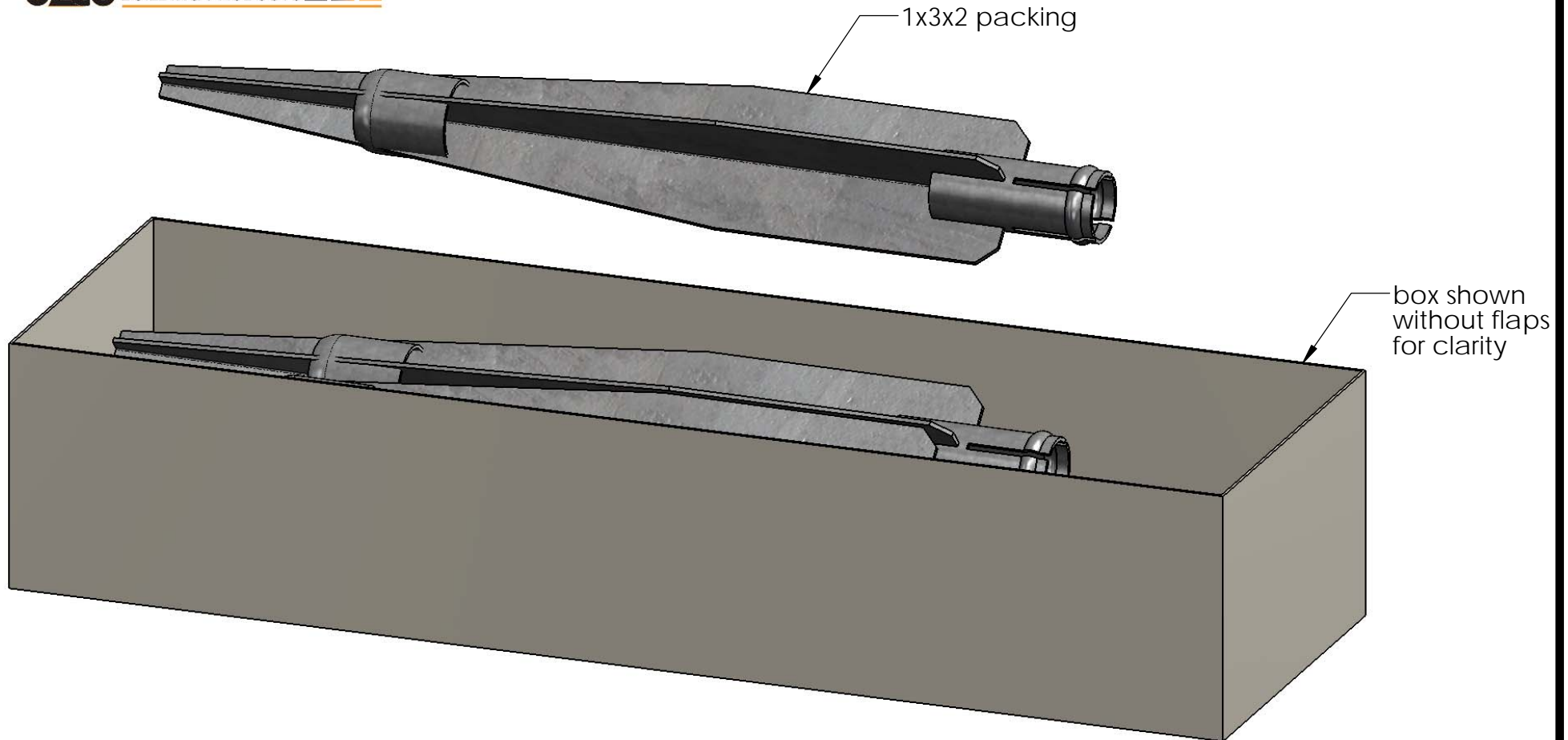
Material: Corrugated Paper
Finish: See artwork
Weight: 0.58 LBS
Scale: 1:8
Last updated: 10/14/2016

30000-10



Product & Packaging Specs

30000 Packing
Item #: Box packing



Weight: 36.07 LBS
Scale: 1:4
Last updated: 10/14/2016

30000-10



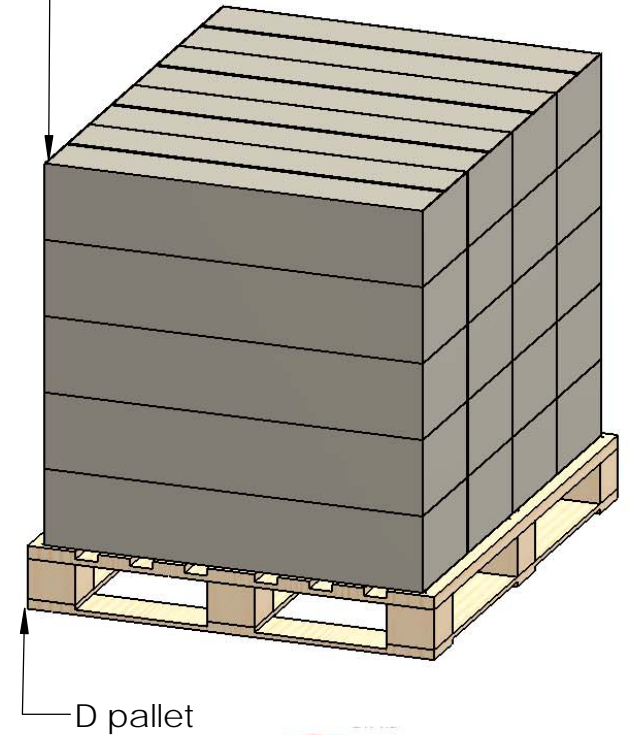
Product & Packaging Specs

30000 Packing
Item #: Pallet packing

Item #: **30000** | **GB-700**
GB-700 (1 5/8" Round) Steel
PALLET 120 pcs
 sku#: **30002** 
Weight: 720 lbs
 LOT# _____ Priority# _____ 

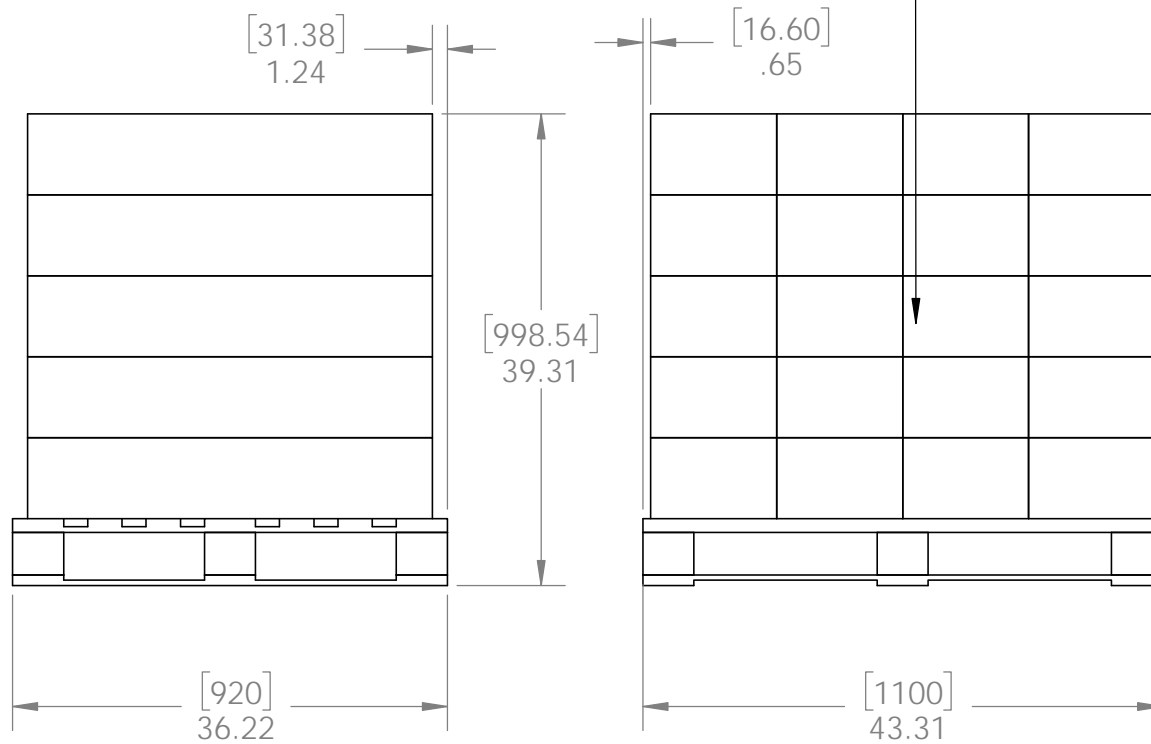
Total number of cases: 20

Total number of pieces:
20x6=120 pieces on pallet



additional pallet packing instructions

- plywood on top layer
- strap to pallet
- clear wrap around boxes



Weight: 720 LBS
Scale: 1:16
Last updated: 10/14/2016

30000-10