



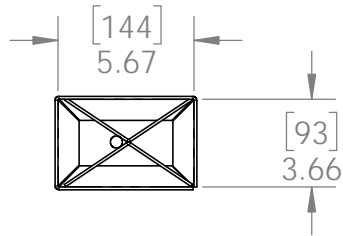
instant post holes

OZCO BUILDING PRODUCTS

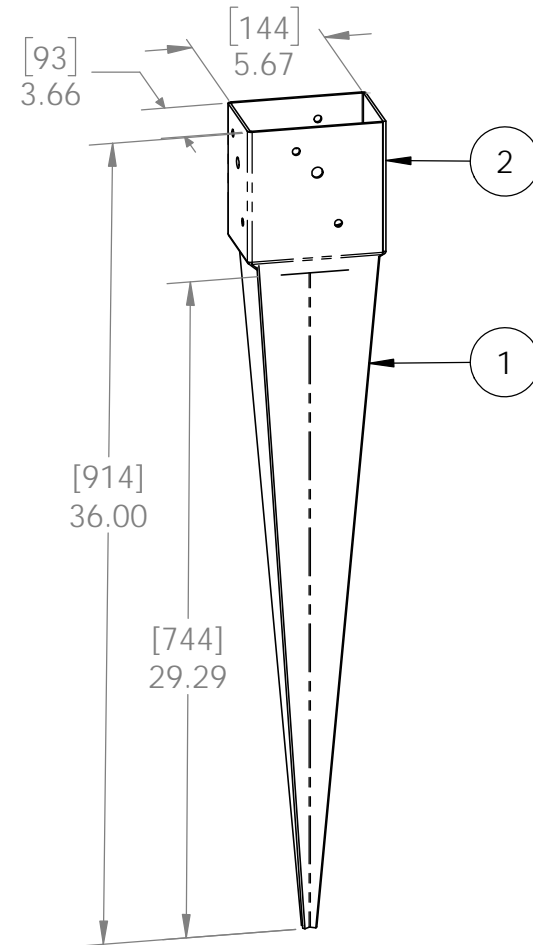
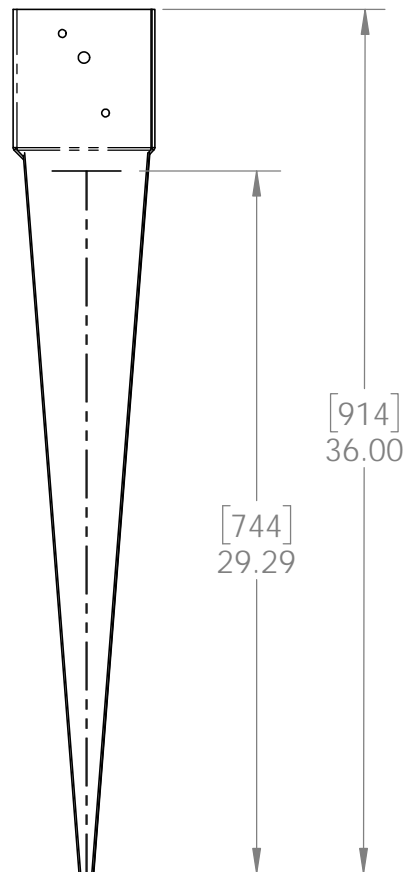
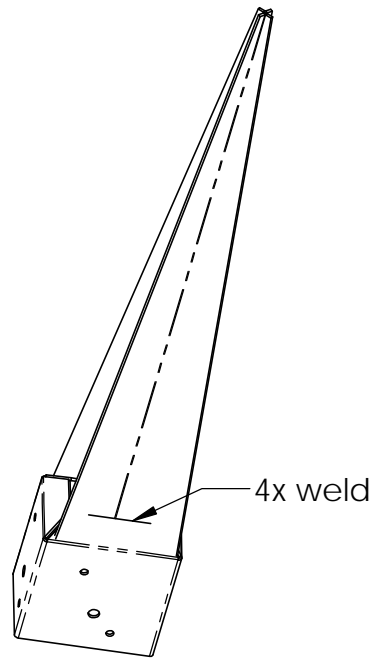
Product & Packaging Specs

36" 4x6 Post Anchor (T46-850)

Item #: 30380



ITEM NO.	QTY.	PART NUMBER	DESCRIPTION
1	1	30380-11	Assembly, Base Anchor
2	1	30380-13	Base, 6x6 Post Anchor Wood



Weight: 11.43 LBS
 Scale: 1:8
 Last updated: 10/14/2016

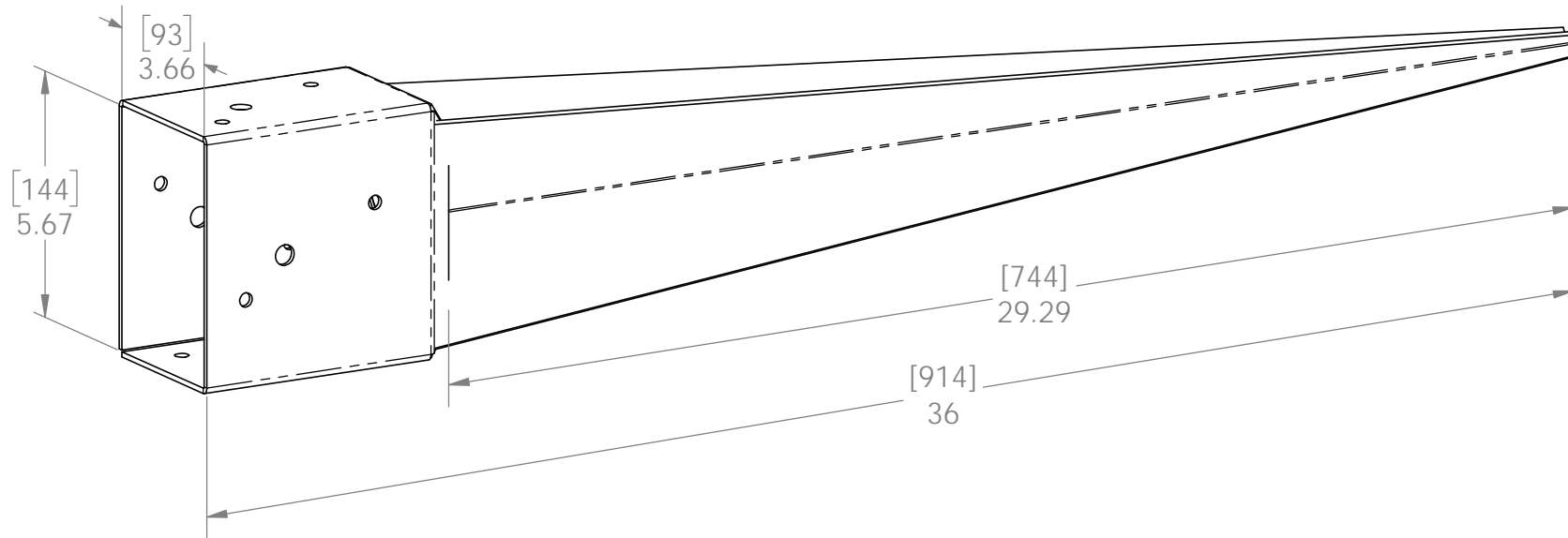
30380-10



Product & Packaging Specs

36" 4x6 Post Anchor (T46-850)

Item #: 30380



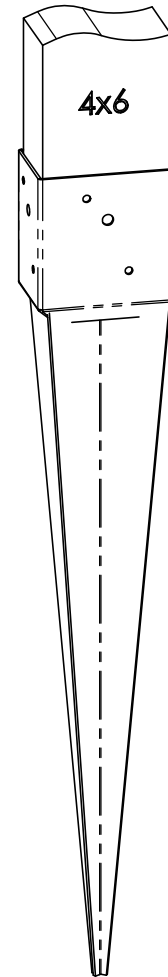
Weight: 11.43 LBS
Scale: 1:4
Last updated: 10/14/2016

30380-10



Product & Packaging Specs

36" 4x6 Post Anchor (T46-850)
Item #: 30380



Weight: 11.43 LBS
Scale: 1:8
Last updated: 10/14/2016

30380-10



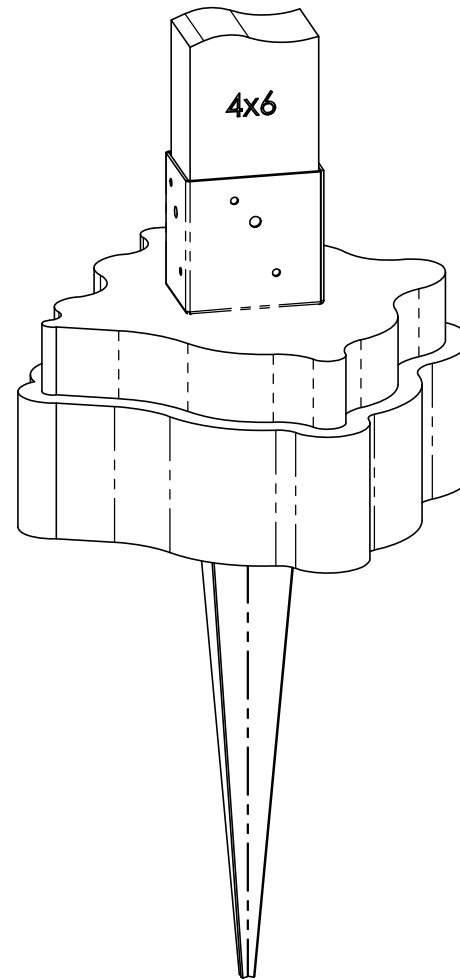
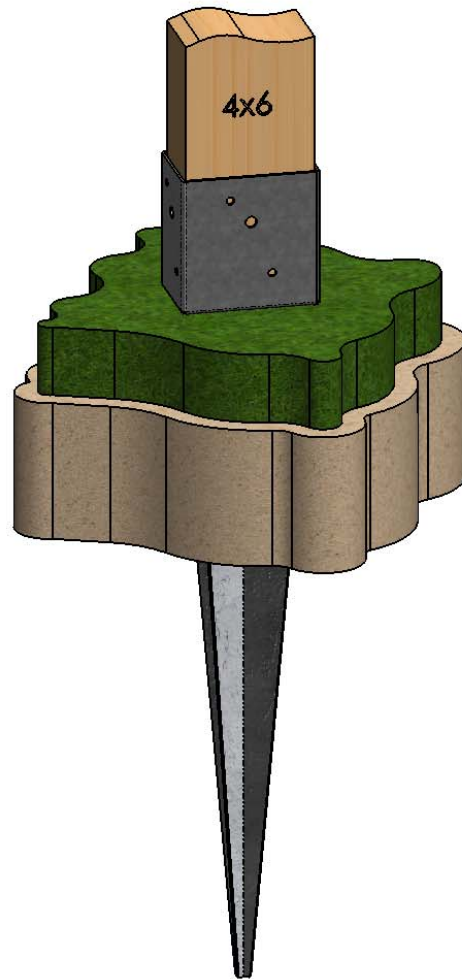
instant post holes

OZCO BUILDING PRODUCTS ■■■

Product & Packaging Specs

36" 4x6 Post Anchor (T46-850)

Item #: Typical Installation



Weight: 11.43 LBS
Scale: 1:8
Last updated: 10/14/2016

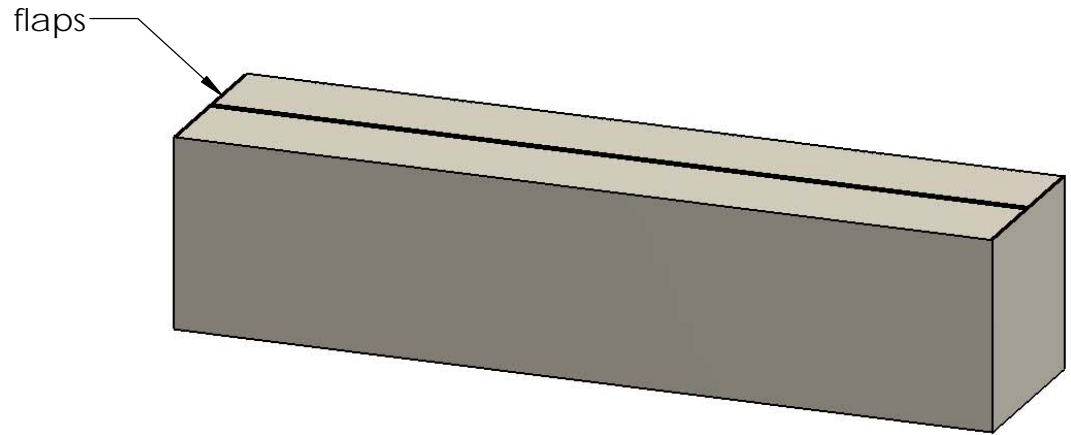
30380-10



Product & Packaging Specs

Case, T46-850

Item #: Box, 30380



Material: Corrugated Paper
 Finish: See artwork
 Weight: 0.61 LBS
 Scale: 1:8
 Last updated: 10/14/2016

30380-10

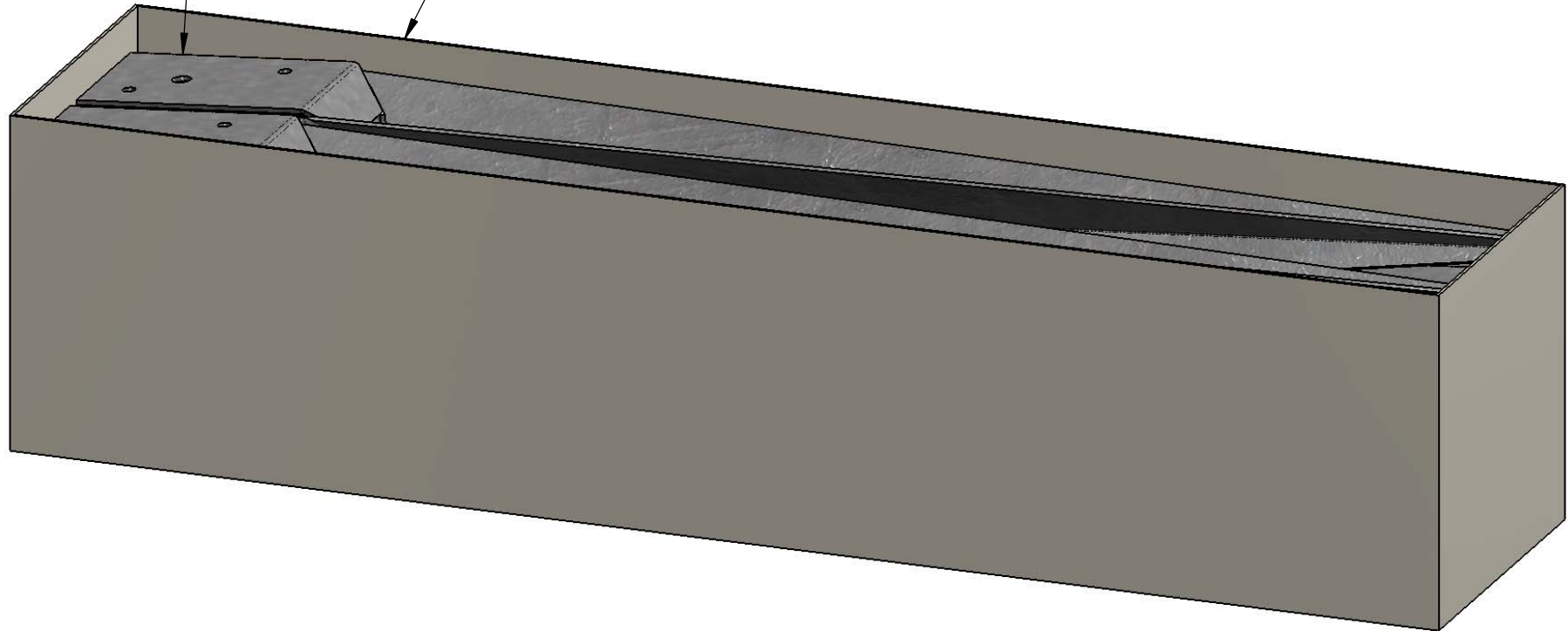


Product & Packaging Specs

30380 Packing
Item #: Case packing

2x2 packing

case shown without flaps for clarity



Weight: 46.21 LBS
Scale: 1:4
Last updated: 10/14/2016

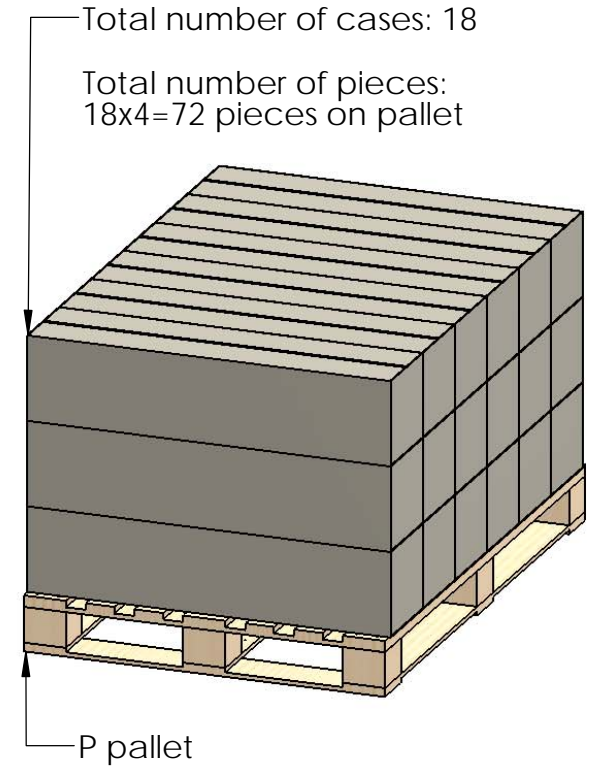
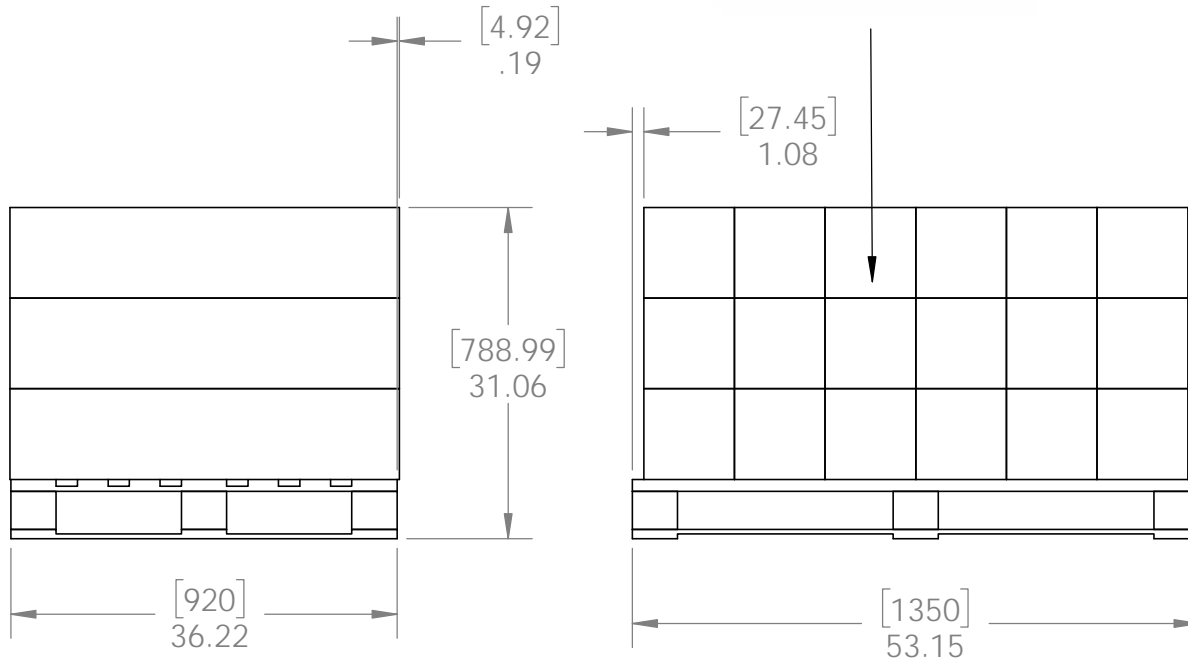
30380-10



Product & Packaging Specs

30380 Packing
Item #: Pallet packing

Item #: **30380** | **T46-850**
T46-850 (4"x6") Wood
PALLET | **72 pcs**
 SKU#: **30382** 
 Weight: 850 lbs
 LOT# _____ Priority# _____ 



additional pallet packing instructions
 plywood on top layer
 strap to pallet
 clear wrap around boxes

Weight: 850 LBS
 Scale: 1:18
 Last updated: 10/14/2016

30380-10

V2.00 - Installation Instructions, Specifications and Project Plans are effective 10/14/2016. This information is updated periodically and should not be relied upon after 2 years from 10/14/2016. Please visit OZCOBP.com to get current information.