

Stainless Steel Mailboxes – 4510 and 4520

Standard Style Installation Instructions

Made of stainless steel sheet with a brushed satin finish, Salsbury 4510 and 4520 standard stainless steel mailboxes will provide years of maintenance free service. While the hole locations differ, the mounting method is the same for both the 4510 and 4520 mailboxes.

Mounting Mailbox to a Flat Wall

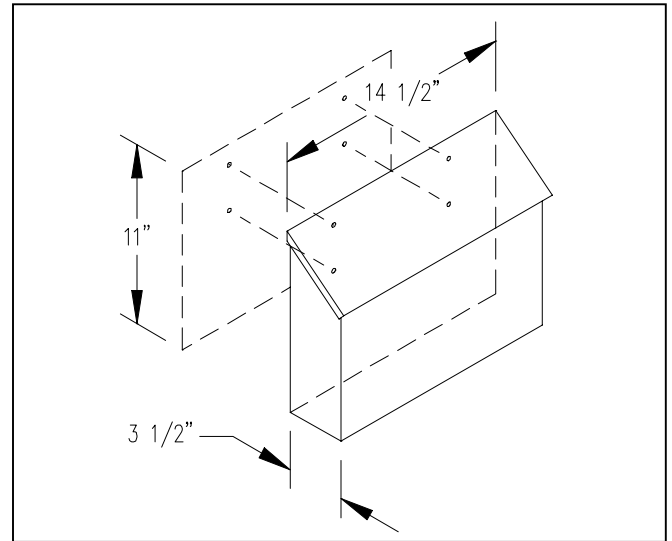
1. The installation fasteners are not provided due to the variation in wall types to which the mailbox might be mounted. Select fasteners and anchors appropriate for the type of wall.
2. Mounting access is provided by opening the lid.
3. Where possible, it is best to shield the mailbox from direct weather conditions.
4. Contact your local U.S.P.S. office for the required height of the mailbox on the wall.
5. Holding the mailbox aligned horizontally in the mounting position, mark on the wall the position of the 4 mounting holes in the back wall of the mailbox. The 4 dimpled holes are the mounting holes.
6. Attach the mailbox to the wall using the appropriate fasteners.

Cleaning

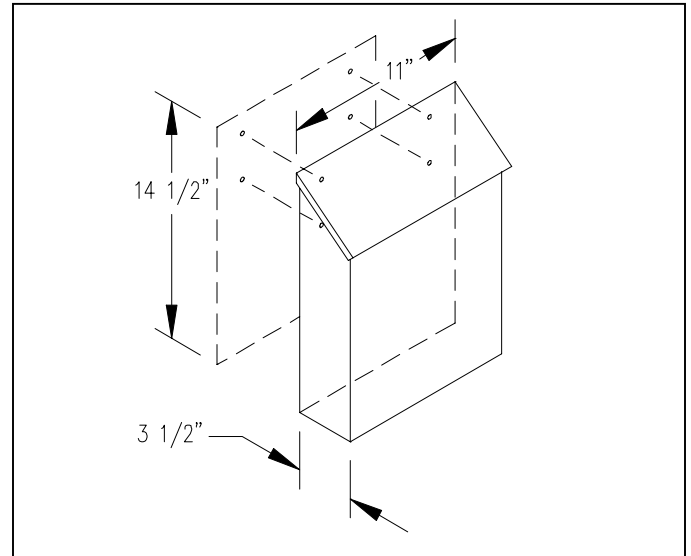
Interior – Using a soft cloth or sponge, clean the interior of the stainless steel mailbox with liquid soap, detergent, or diluted water-soluble household cleaners. Completely remove residue of any cleaning products with water, and thoroughly dry with a clean cloth or paper towel.

Exterior – The exterior surface of the mailbox may be cleaned as indicated above. Be sure to scrub and polish satin finish materials in the same direction as the grain of the stainless steel. **DO NOT** use abrasive materials on stainless steel surfaces.

4510 Stainless Steel Mailbox – Horizontal Style



4520 Stainless Steel Mailbox – Vertical Style



SALSBUURY INDUSTRIES

1010 East 62nd Street, Los Angeles, CA 90001-1598
Phone: 1-800-624-5269 Int'l Phone: 323-846-6700
Fax: 1-800-624-5299 Int'l Fax: 323-846-6800
www.mailboxes.com engineering@mailboxes.com

Installation instructions are provided as general guidelines. It is advised that a professional installer be consulted. Salsbury Industries assumes no product assembly or installation liability.
Copyright © 2006 Salsbury Industries. All rights reserved.