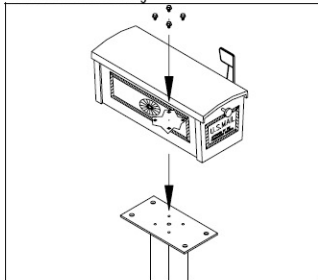


Townhouse Mailboxes – 4550

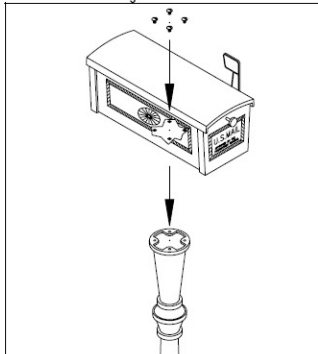
Installation Instructions

U.S.P.S. APPROVED

Standard Post Mounting



Classic Post Mounting



Installing on a Standard or Classic Mailbox Post

Thank you for selecting the 4550 townhouse mailbox. We are confident that the quality and construction of the mailbox will prove to be a good investment.

This instruction sheet is for installing the 4550 townhouse mailbox on a standard or classic mailbox post. Other installation instructions are available for installing the mailbox on a decorative post or on spreaders or mounting the post in a concrete footing.

When you install a curbside or roadside mailbox, make sure that it is easily accessible to the mail carrier. By regulation it should be 41" to 45" from the ground or street surface up to the inside floor of the mailbox. The door should be set back 6" to 8" back from the front face of the curb or the road edge. However, you should check with your local postmaster to ensure that the mailbox is installed according to local regulations.

The top of the standard or classic mailbox post has four tapped holes. There are four 5/16" bolts provided with the post to attach the mailbox to the post. Open the front door of the mailbox and install the four bolts through the four holes in the center of the inside floor of the mailbox and into the four tapped holes in the top of the standard or classic mailbox post.

Townhouse Mailboxes – 4550

Spreader & Standard Post Installation Instructions

U.S.P.S. APPROVED

Installing Mailboxes on Spreader & Standard Post

Thank you for selecting the 4550 townhouse mailbox. We are confident that the quality and construction of the mailbox will prove to be a good investment.

This instruction sheet is for installing 4550 mailboxes on spreaders and standard mailbox posts. Other installation instructions are available for mounting a single mailbox on a decorative or standard post and mounting the post in a concrete footing.

When you install a curbside or roadside mailbox, make sure that it is easily accessible to the mail carrier. By regulation it should be 41" to 45" from the ground or street surface up to the inside floor of the mailbox. The door should be set back 6" to 8" back from the front face of the curb or the road edge. However, you should check with your local postmaster to ensure that the mailbox is installed according to local regulations.

The spreaders are available in 3 widths, for mounting 2, 3, or 4 mailboxes. All 3 widths can be installed on the standard posts.

The mailboxes are mounted to the spreader using four 5/16" carriage bolts, 1/2" nylon spacers, washers, and acorn nuts. The carriage bolts are installed from the inside of the mailbox and the nylon spacers are placed between the mailboxes and the spreader. The washers and acorn nuts are installed under the spreader. The middle mailbox on the 3-wide spreader is jointly mounted to the spreader and the spreader to the post with the same set of long 5/16" hex washer bolts and nylon spacers.

The top plate of the standard post has 4 tapped holes. The spreader is mounted to the post using four 5/16" hex washer head bolts. The 2-wide and 4-wide spreaders are mounted directly to the post using the short 5/16" carriage bolts, while the 3-wide spreader is mounted to the post using the longer 5/16" carriage bolts and nylon spacers inside the middle mailbox, holding both the mailbox and the spreader to the post. Plastic caps are provided for the bolt heads to be used with the 2-wide and 4-wide spreaders. The plastic caps are not necessary for the 3-wide spreader, since the bolts are inside the middle mailbox.

