

DESIGN

PURCHASE

CONSTRUCT

ENJOY

Installation Instructions, Oz-Puller with Plug & Post Clamp (OZ-PULLER) 50800

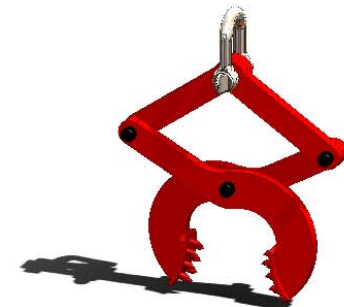
Accessories
Plug Clamp (PLUG-CL) 50820
Post Clamp (POST-CL) 50833



50800
(accessories &
chain included)



50820



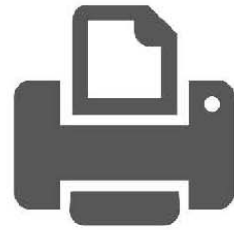
50833

OZ-PULLER
post extraction system

Installation Instructions, Oz-Puller &
Accessories

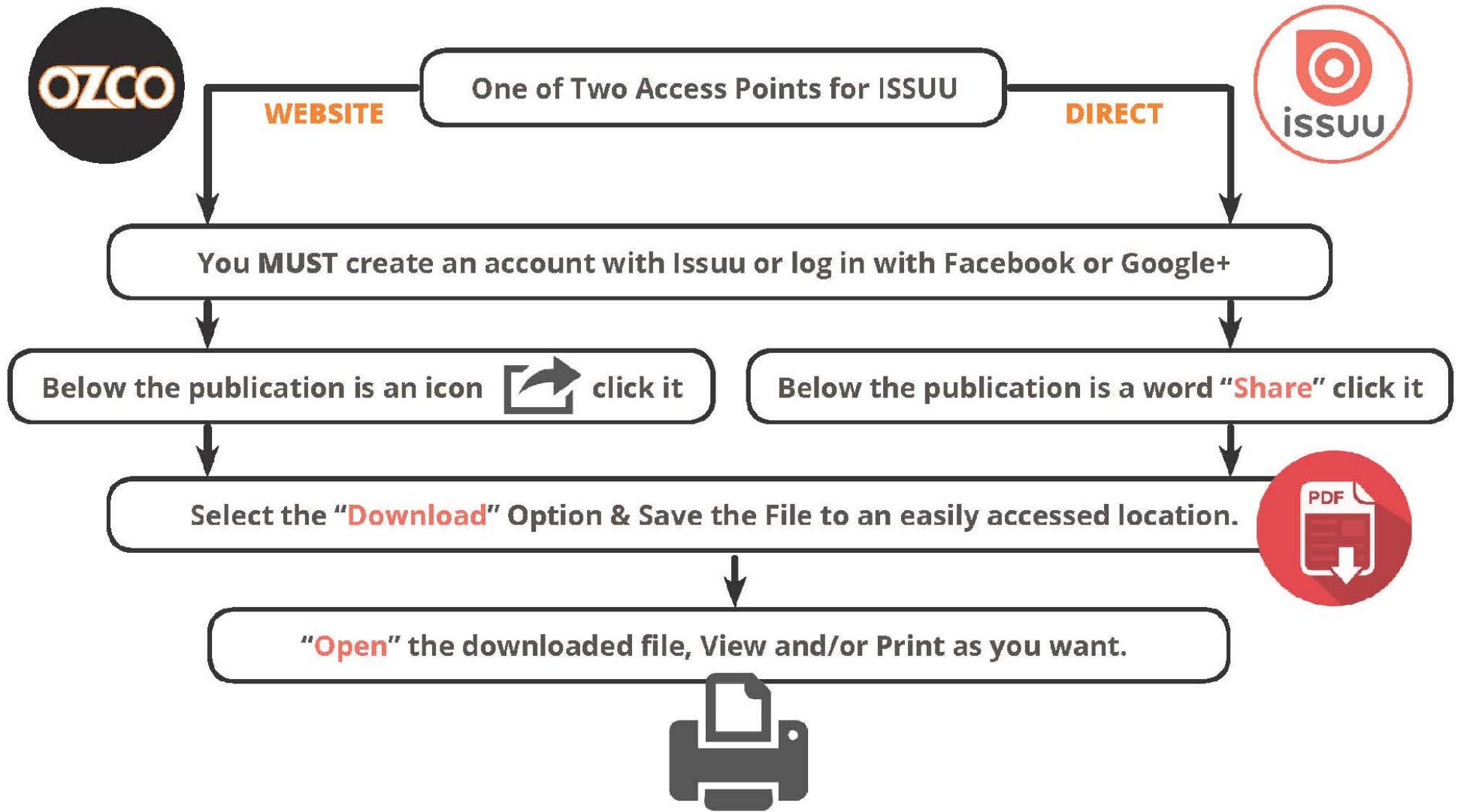
OZCO BUILDING PRODUCTS

V2.00 - Installation Instructions, Specifications and Project Plans are effective 3/28/2016 . This information is updated periodically and should not be relied upon after 2 years from 3/28/2016 . Please visit OZCOBP.com to get current information.



Printing Documents from ISSUU

Unfortunately, there is currently no way to print content directly through issuu. To print a publication, you will need to download it and print it from your computer.



OZ-PULLER

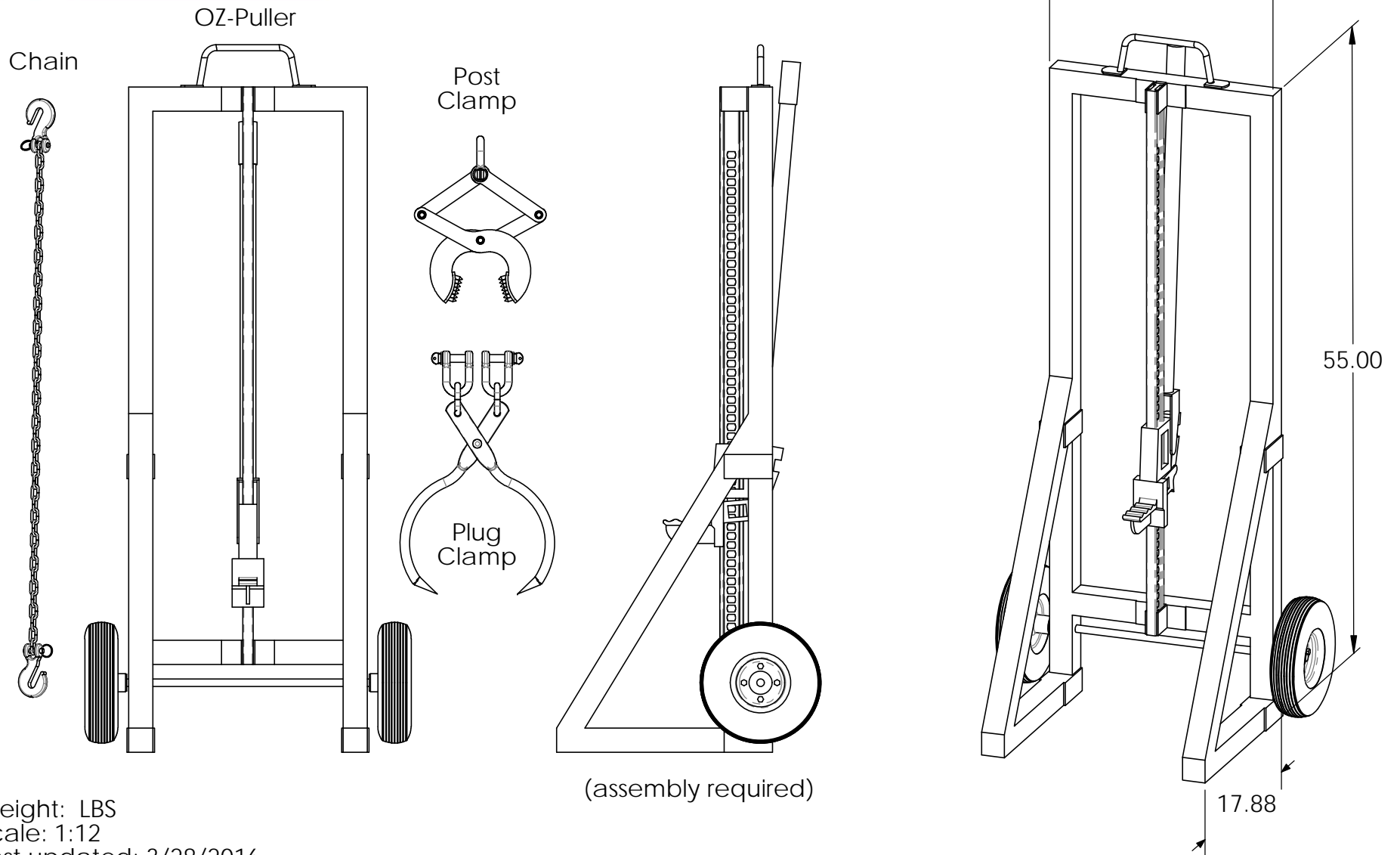
post extraction system

OZCO BUILDING PRODUCTS

Product & Packaging Specs

OZ-Puller with Plug & Post Clamp

Item #: 50800



Weight: LBS
Scale: 1:12
Last updated: 3/28/2016

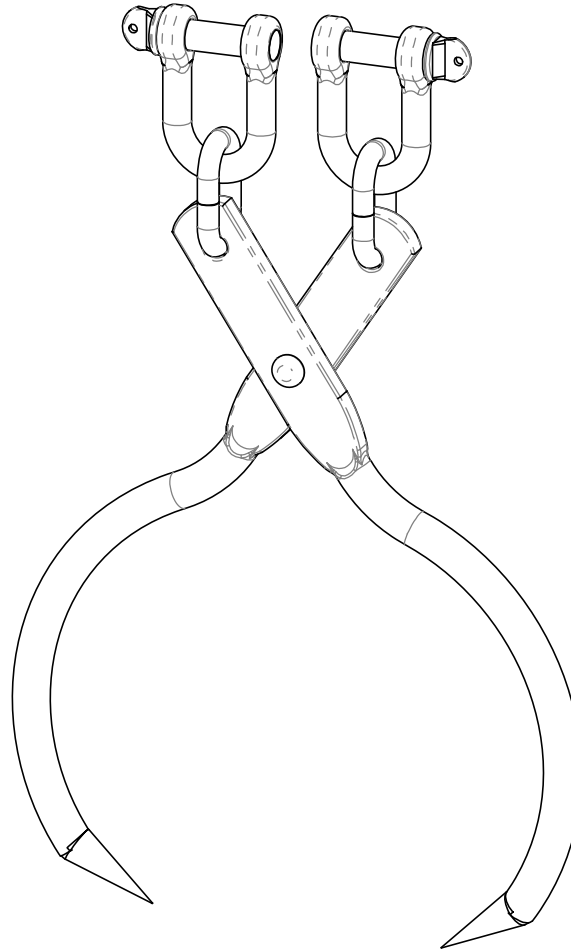
Installation Instructions, Oz-Puller & Accessories

V2.00 - Installation Instructions, Specifications and Project Plans are effective 3/28/2016 . This information is updated periodically and should not be relied upon after 2 years from 3/28/2016 . Please visit OZCOBP.com to get current information.

Product & Packaging Specs

Plug Clamp

Item #: 50820



Plug Clamp is a part of 50800
and can be purchased
separately for replacement
or used with other pullers

Weight: LBS
Scale: 1:4
Last updated: 3/28/2016

OZ-PULLER

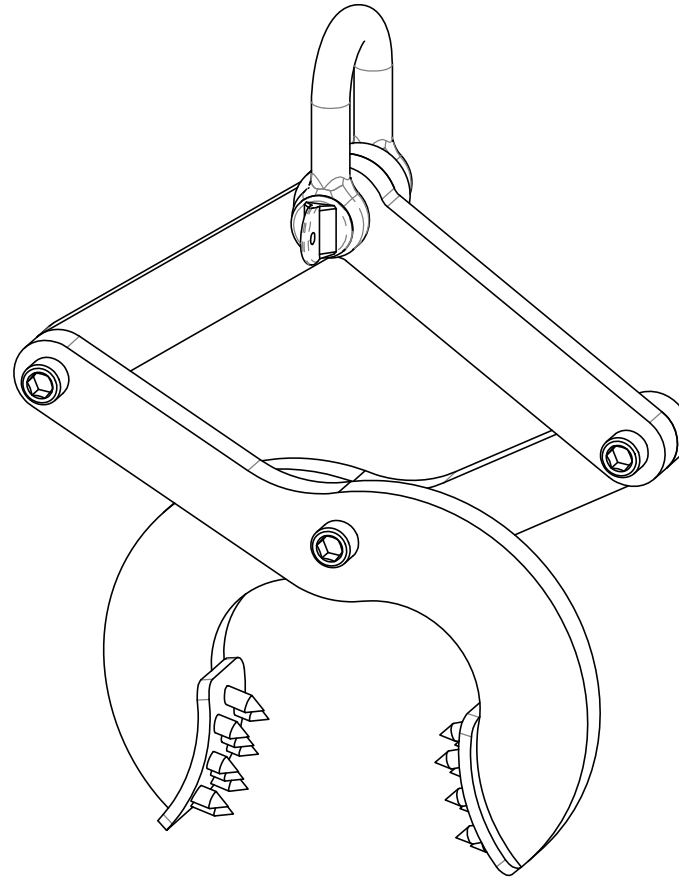
post extraction system

OZCO BUILDING PRODUCTS

Product & Packaging Specs

Post Clamp

Item #: 50833



Post Clamp is a part of 50800
and can be purchased
separately for replacement
or used with other pullers

Weight: LBS
Scale: 1:3
Last updated: 3/28/2016

**Installation Instructions, Oz-Puller &
Accessories**

V2.00 - Installation Instructions, Specifications and Project Plans are effective 3/28/2016 . This information is updated periodically 5
and should not be relied upon after 2 years from 3/28/2016 . Please visit OZCOBP.com to get current information.

OZ-PULLER

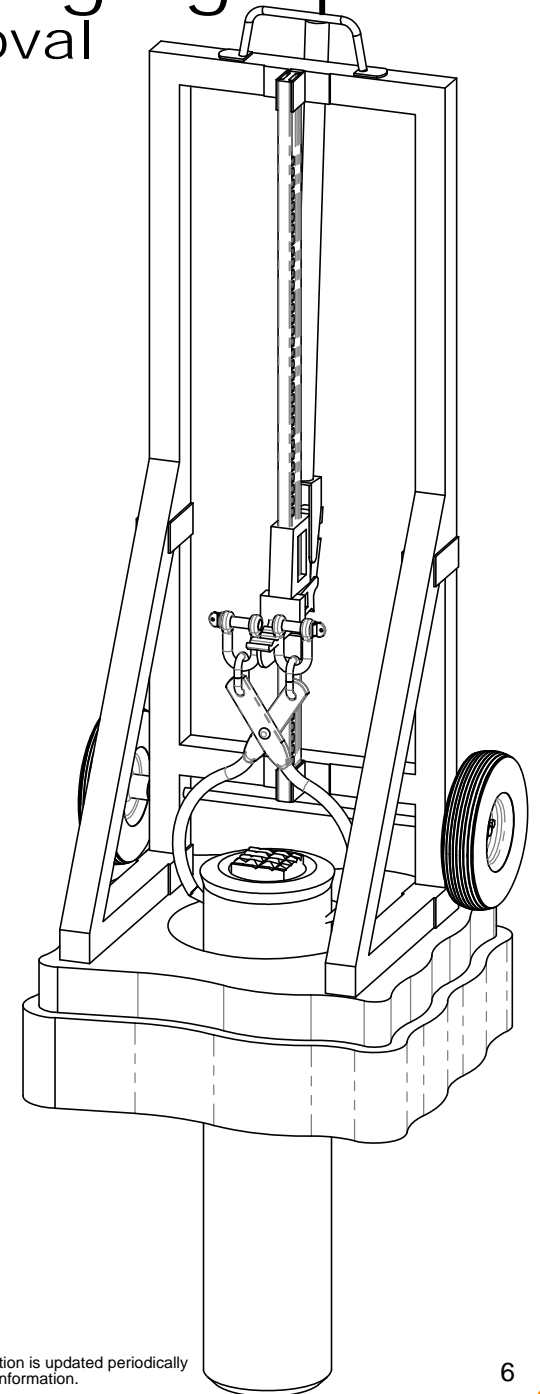
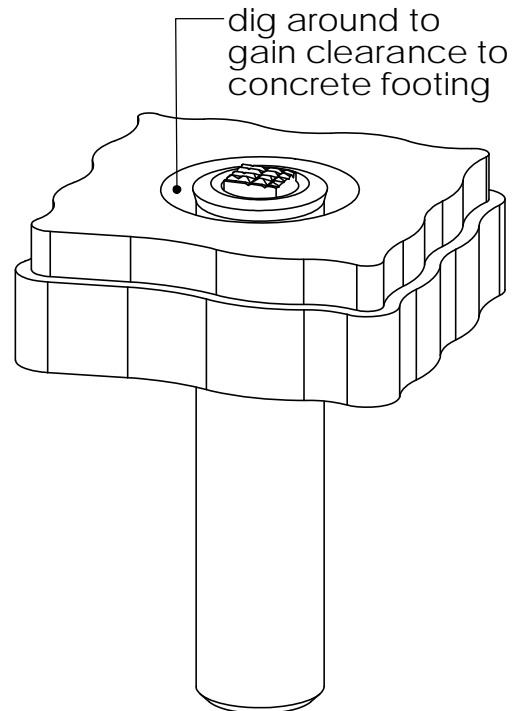
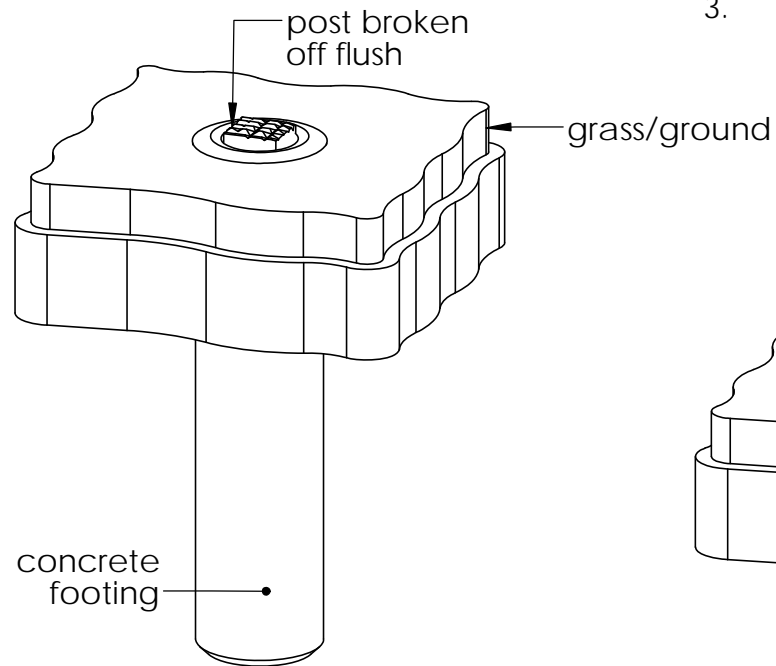
post extraction system

OZCO BUILDING PRODUCTS

Product & Packaging Specs Plug Clamp post removal

Operation:

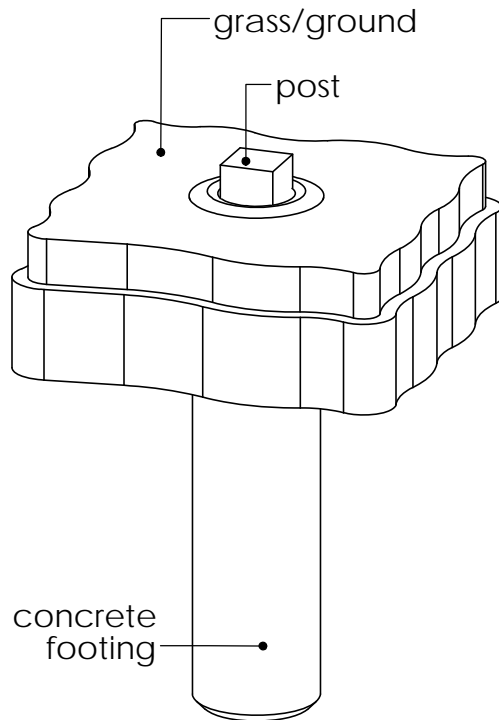
1. Utilize chain (not shown) to secure Plug Clamp to Oz-Puller
2. Secure Plug Clamp to concrete footing
3. Jack post & concrete footing out of ground





Product & Packaging Specs

Post Clamp post removal

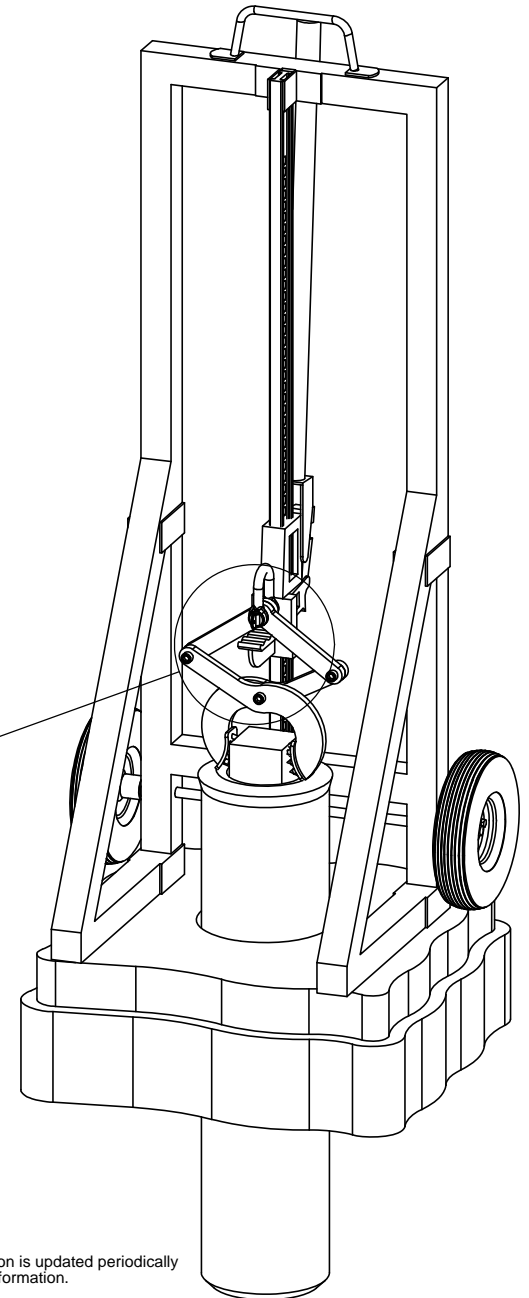
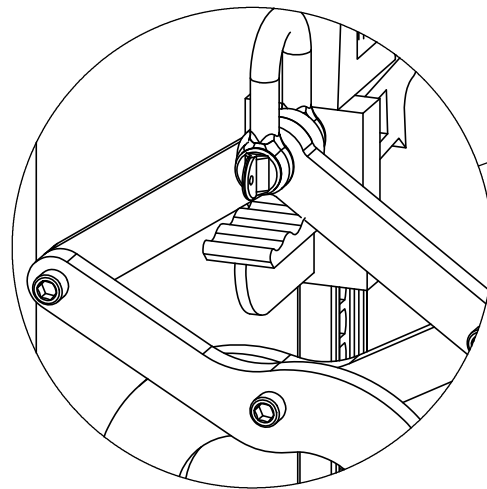


Post Clamp to Oz-Puller (2 methods)

1. Install Post Clamp to Oz-Puller without chain as shown (best method).
2. Utilize chain to secure Post Clamp to Oz-Puller.

Operation:

1. Secure Post Clamp to Post
2. Jack post & concrete footing out of ground



Weight: LBS
Scale: 1:12
Last updated: 3/28/2016

Installation Instructions, Oz-Puller & Accessories

V2.00 - Installation Instructions, Specifications and Project Plans are effective 3/28/2016 . This information is updated periodically and should not be relied upon after 2 years from 3/28/2016 . Please visit OZCOBP.com to get current information.