

6x6 shown
with optional
2-3/8 Star
(56623-sold
separately)



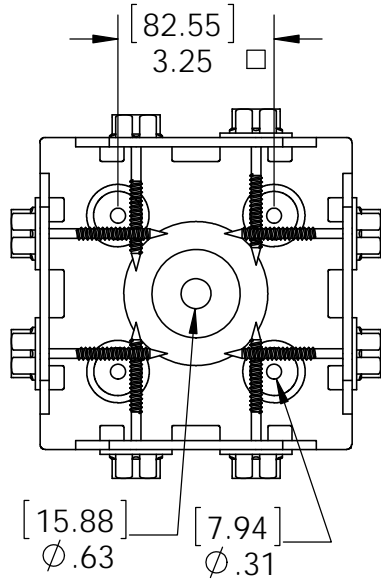
Installation Instructions, Post Base

56604 4x6
56605 10x10
56607 4x4
56608 6x6
56609 8x8

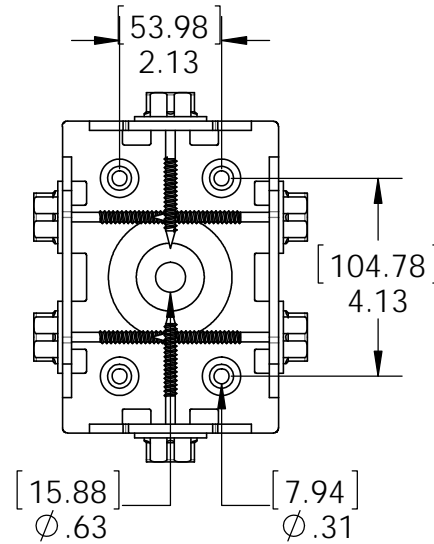
this instruction illustrates 6x6 Post Base installation.
All Post Bases will be installed the same.



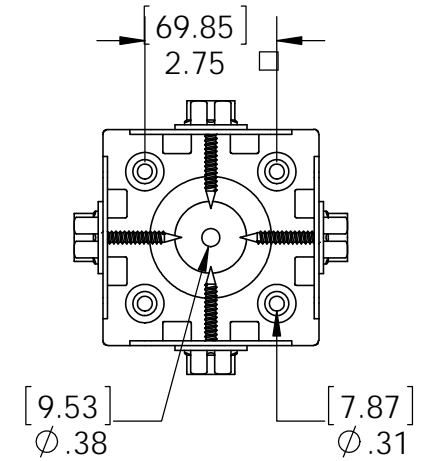
OZCO BUILDING PRODUCTS



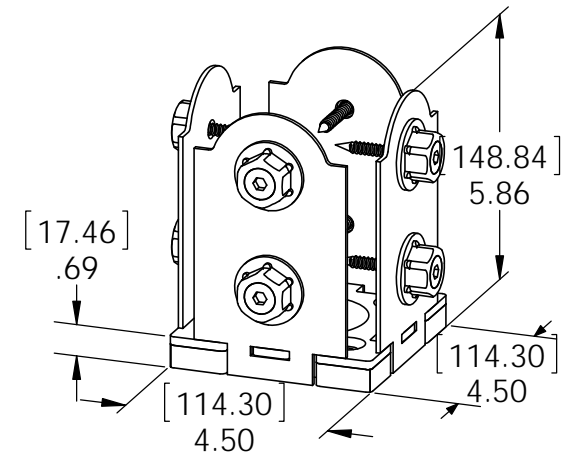
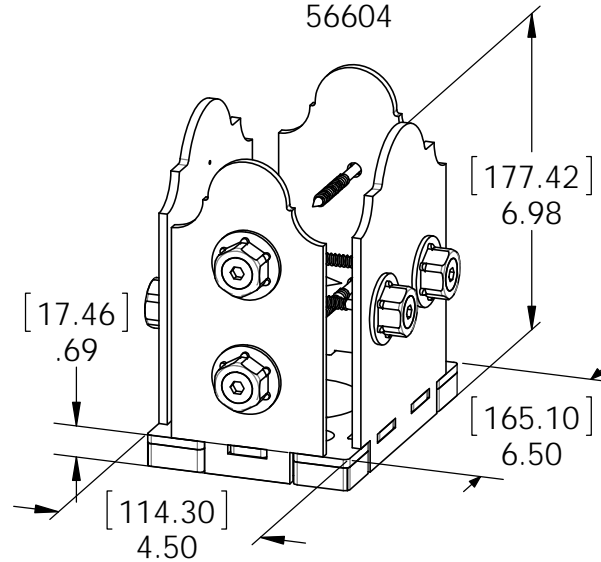
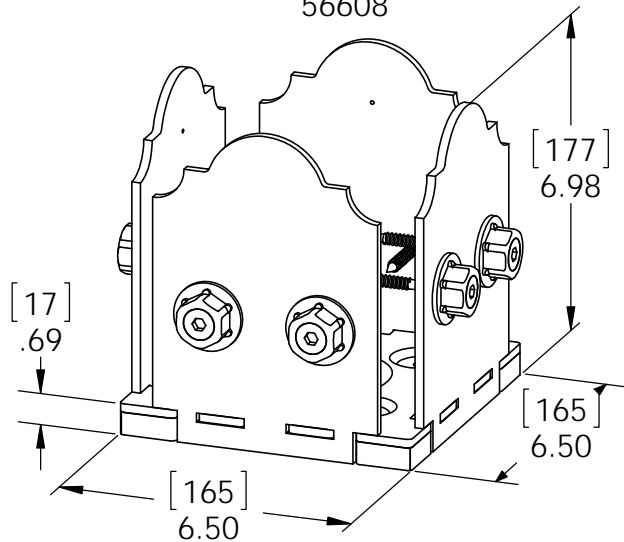
6x6 Post Base
56608



4x6 Post Base
56604

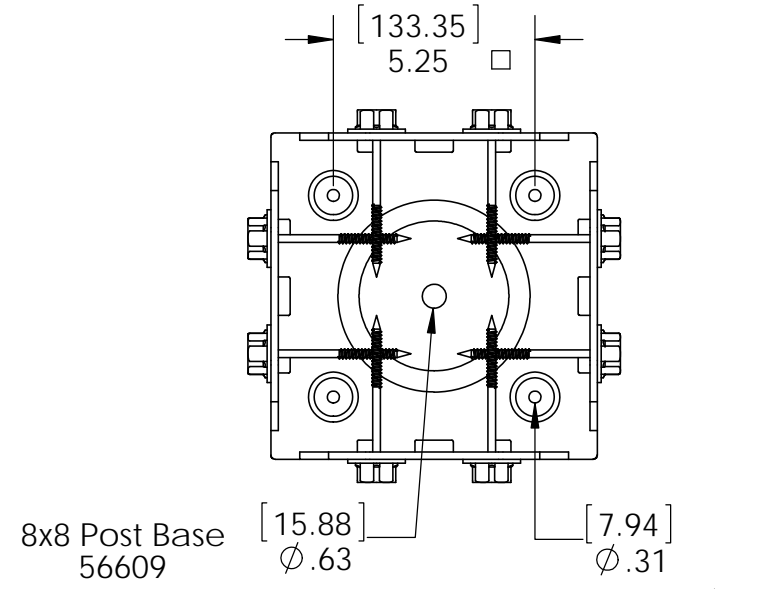
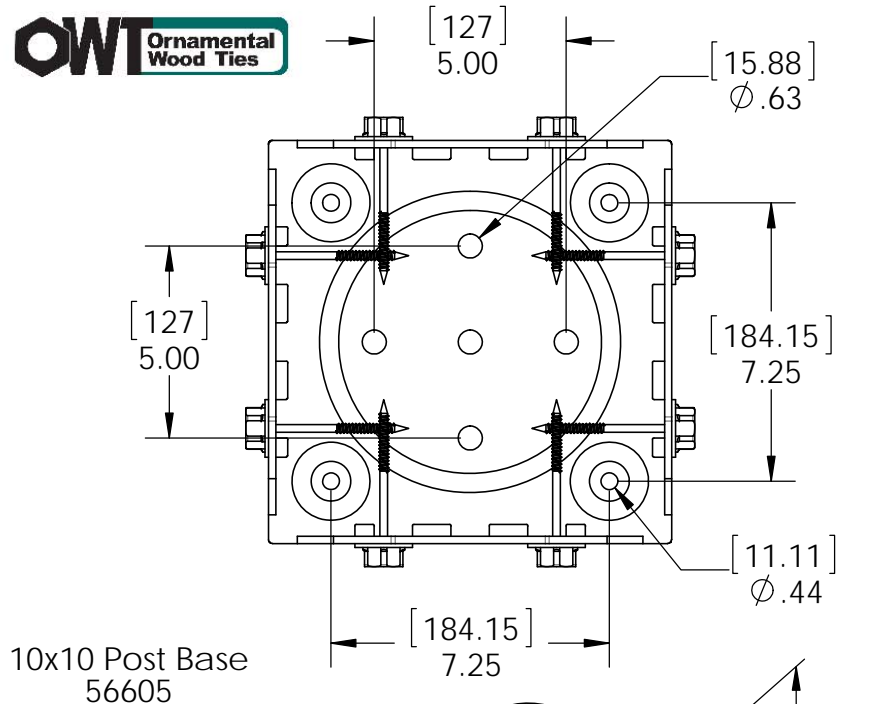


4x4 Post Base
56607



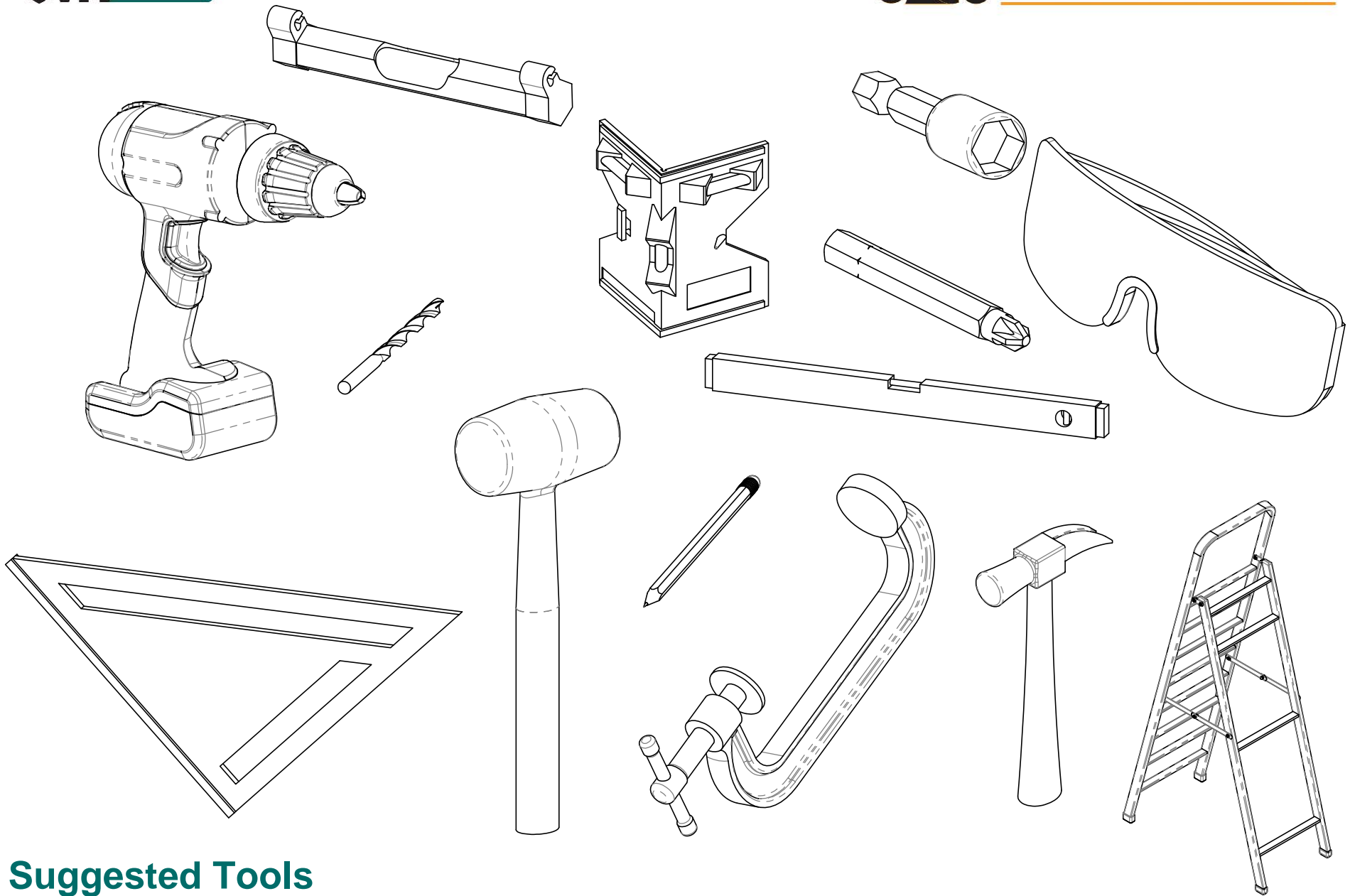
Overview

Installation Instructions, Post Base



Overview

Installation Instructions, Post Base

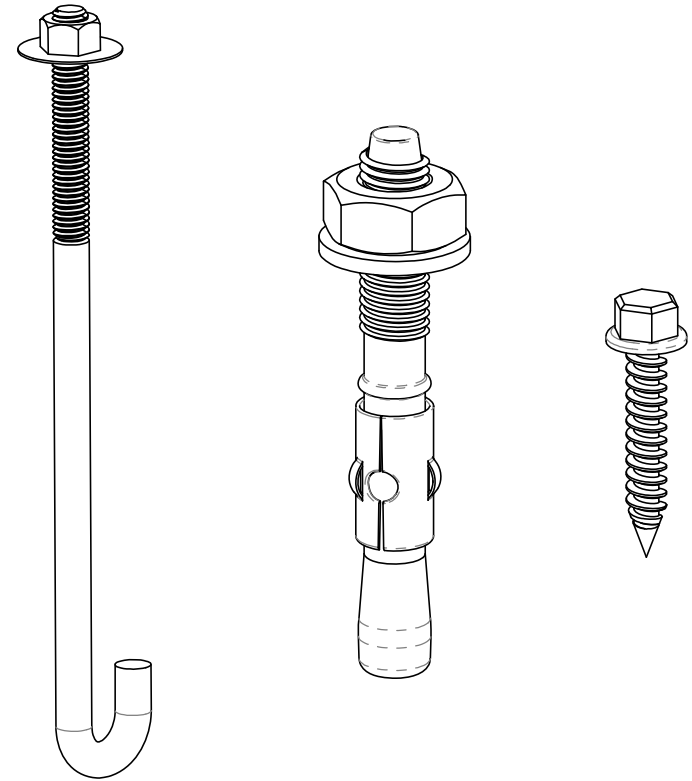
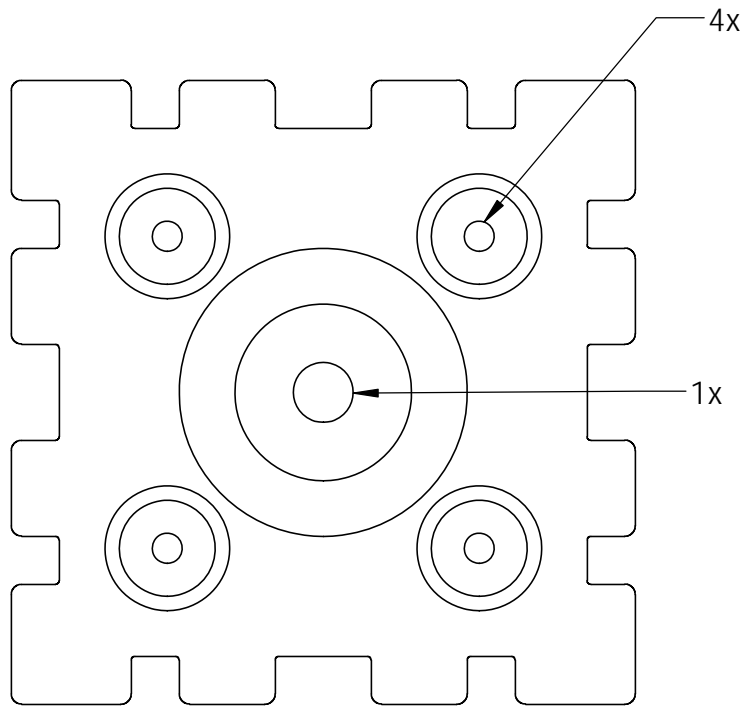
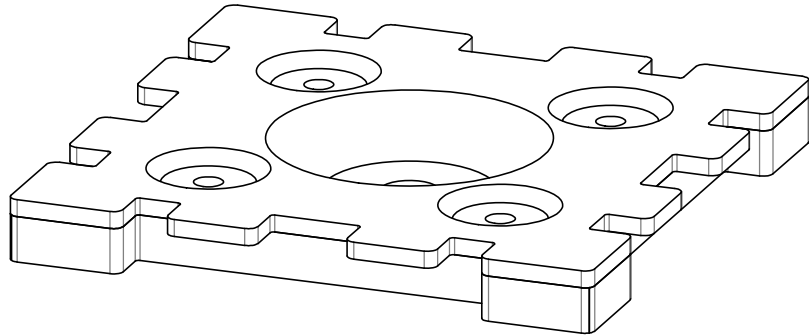


Suggested Tools

(others may be required)

Installation Instructions, Post Base

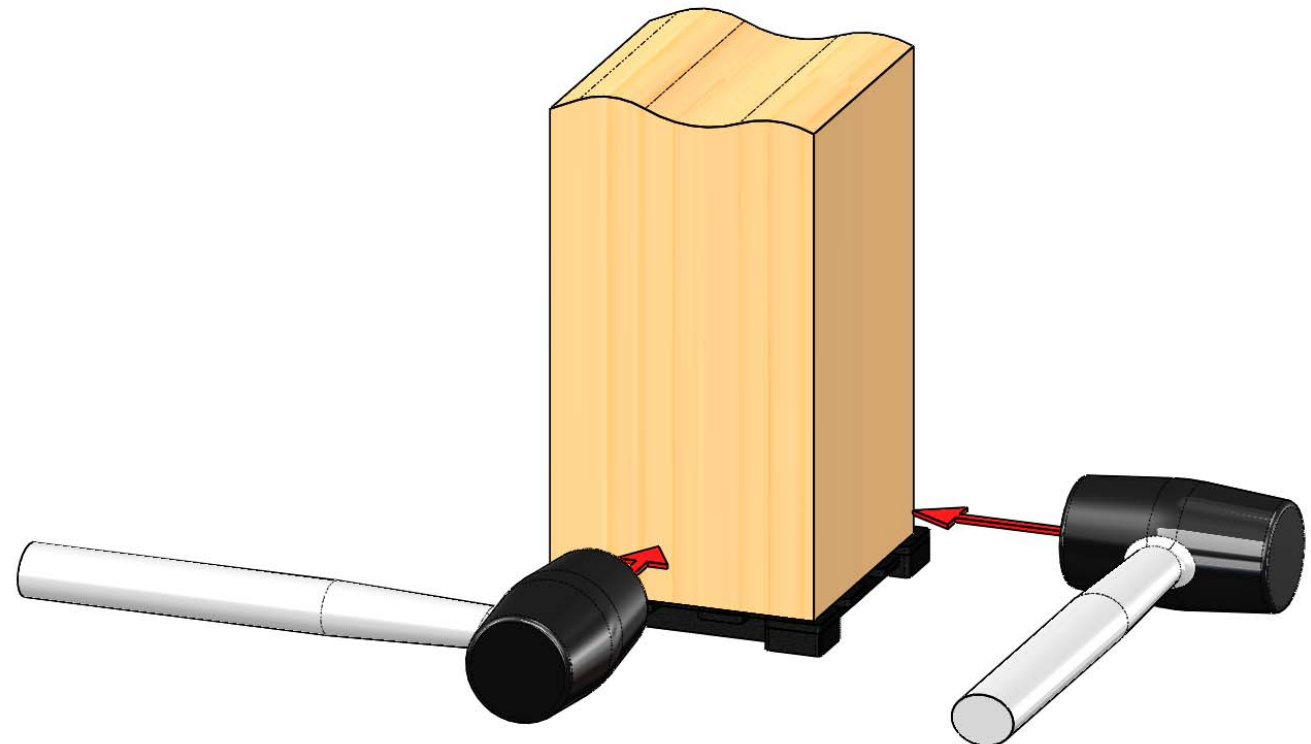
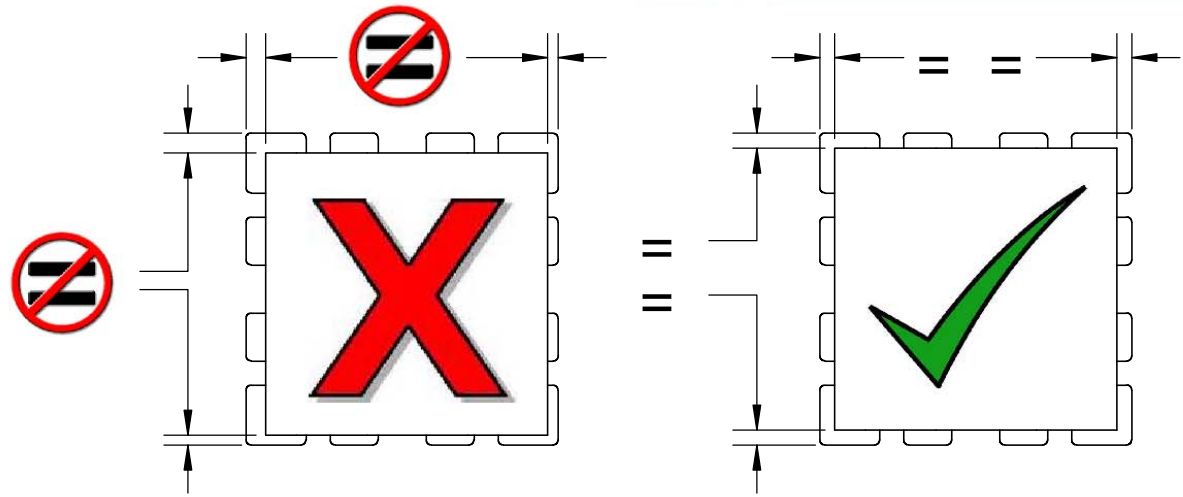
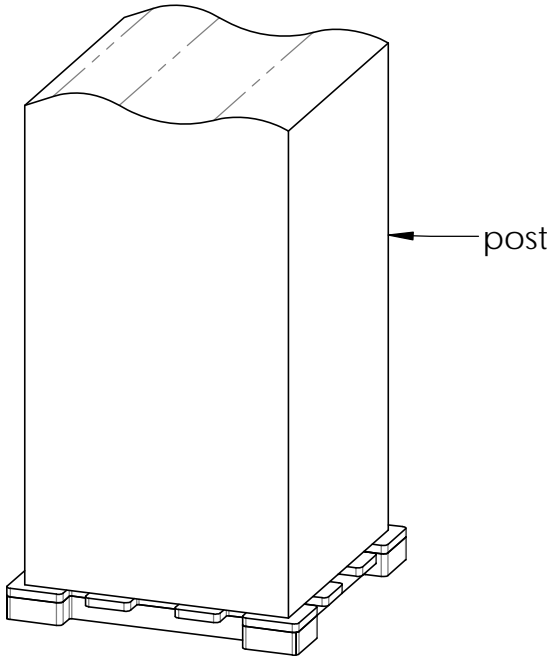
mount base to surface



choose fastener that suits your application

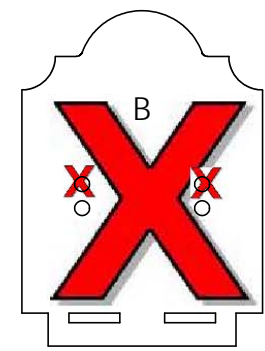
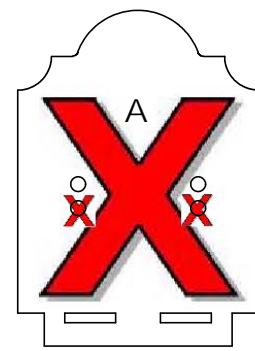
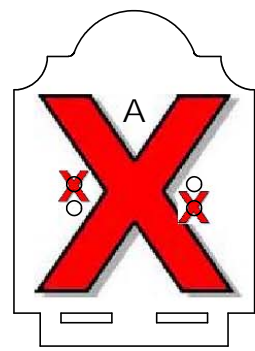
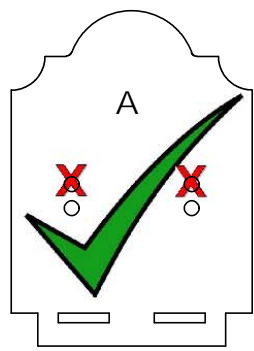
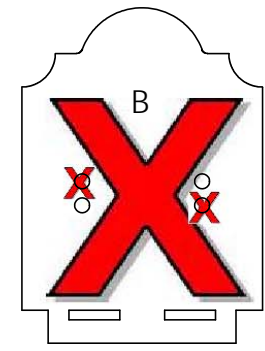
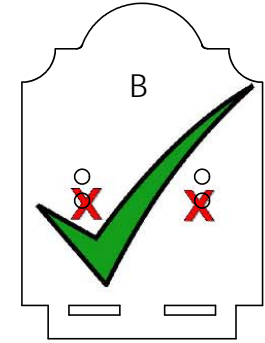
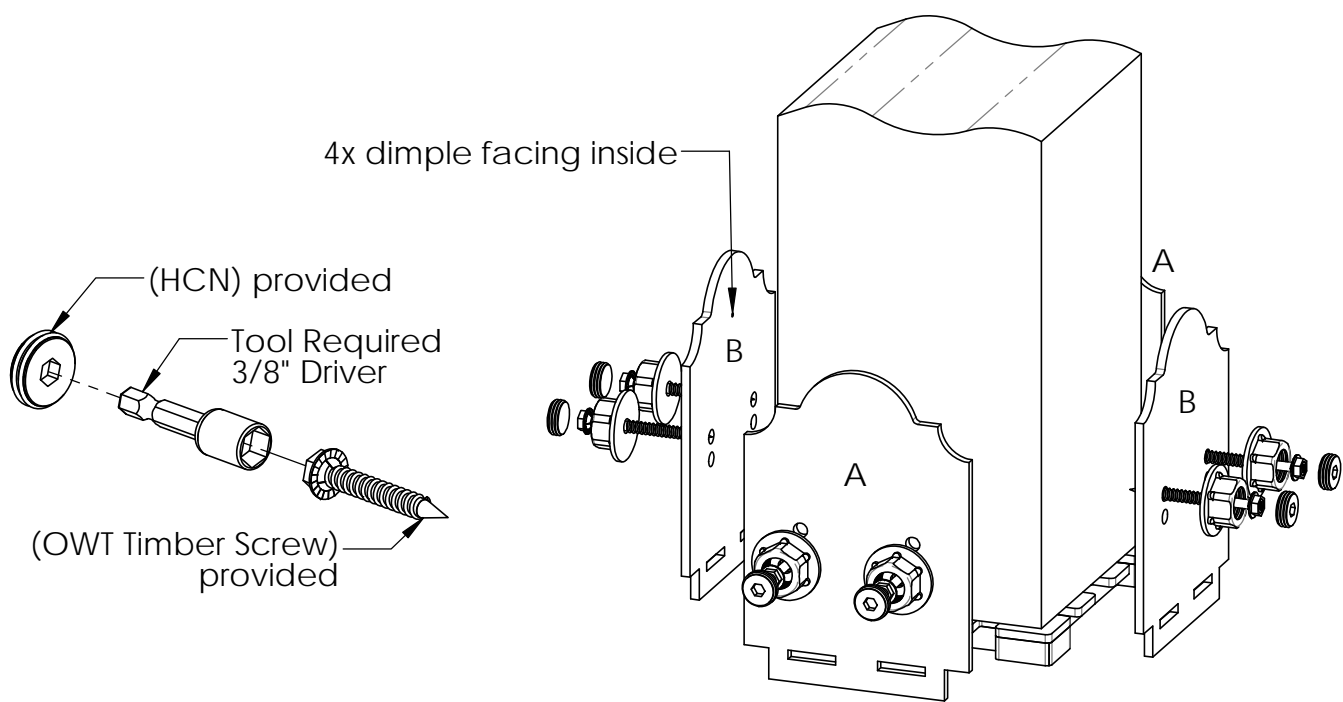
step 1

Installation Instructions, Post Base



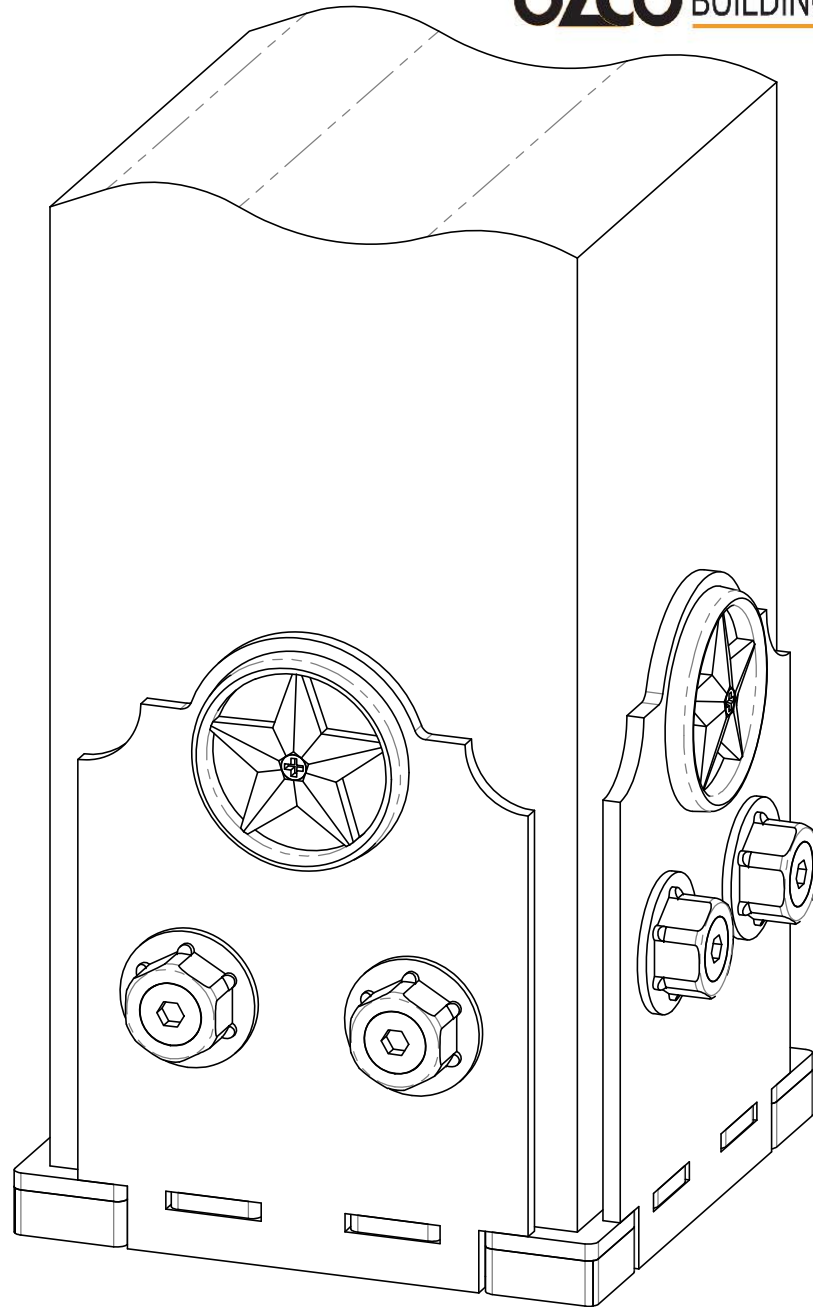
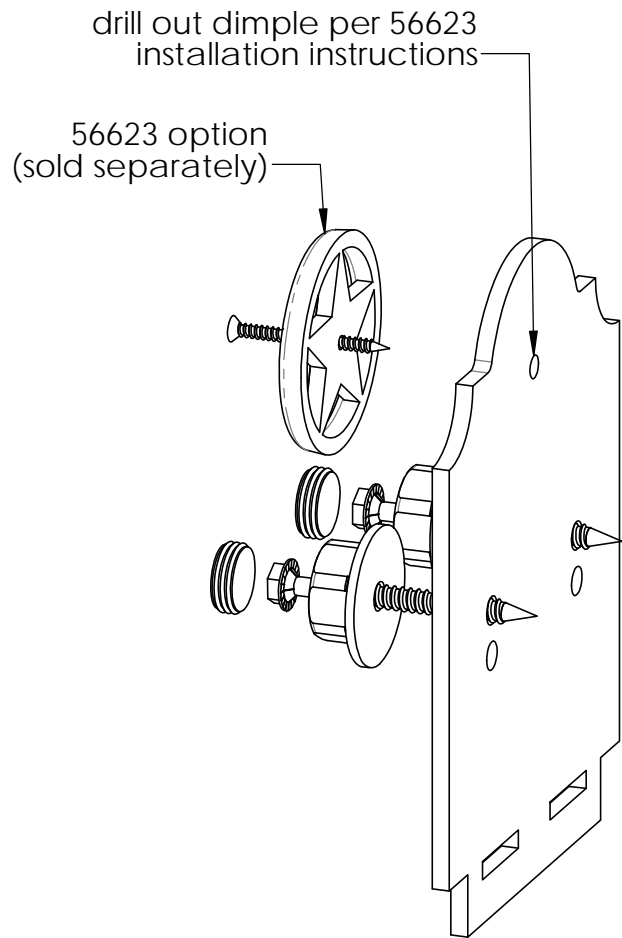
step 2

Installation Instructions, Post Base



step 3

Installation Instructions, Post Base



optional accessory

Installation Instructions, Post Base