

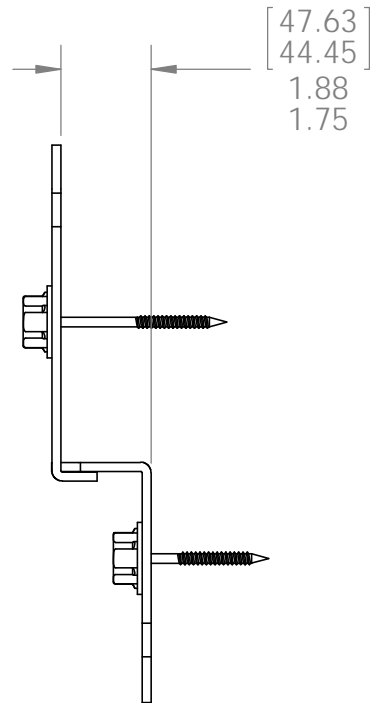
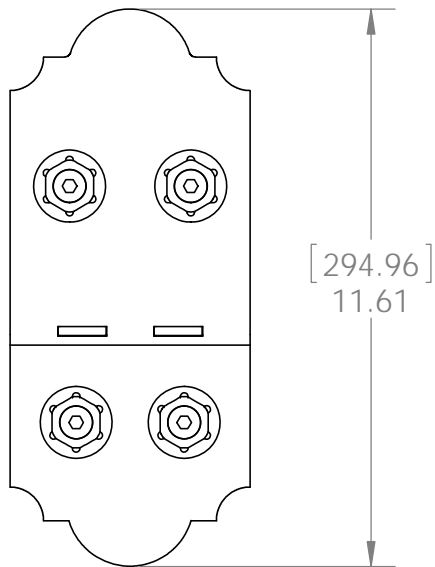
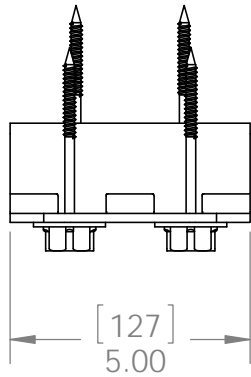


OZCO BUILDING PRODUCTS

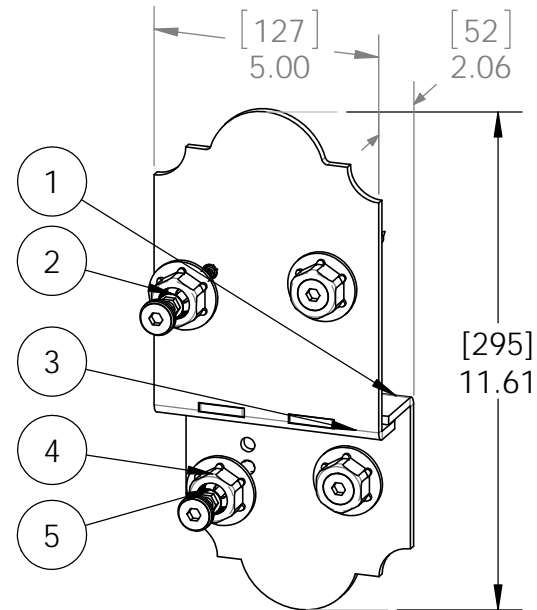
Product & Packaging Specs

8" Post to Beam

Item #: 56610



ITEM NO.	QTY.	PART NUMBER	DESCRIPTION
1	1	56610-11	Ledge, Post to Beam
2	2	56627	OWT Timber Screw 3-3/4"
3	1	56610-12	Plate, Top 8" Post to Beam
4	4	56621	1 1/2" Hex Cap Nut
5	0.08	56626	OWT Timber Screw 2-3/4"



kit contains 2 assemblies

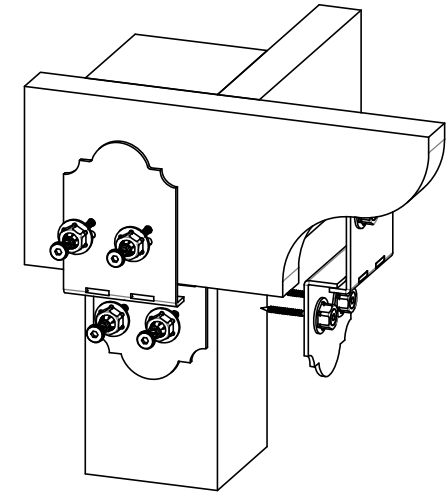
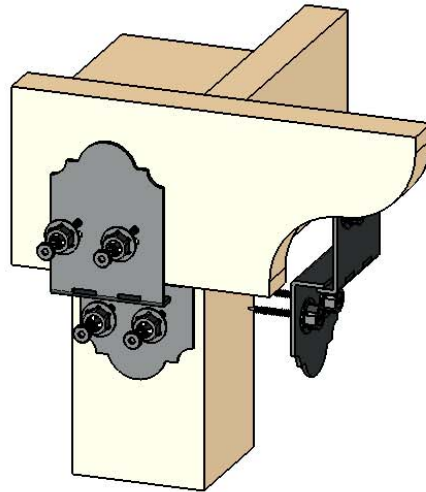
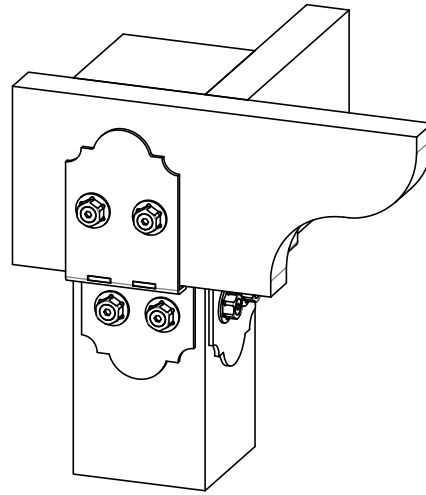
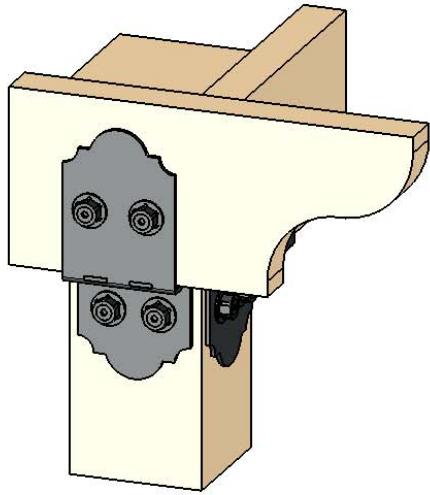
Weight: 3.56 LBS
 Scale: 1:4
 Last updated: 7/13/2015

56610-10

Product & Packaging Specs

8" Post to Beam

Item #: Typical Installation & Basic Assembly



Scale: 1:8
Last updated: 7/13/2015

56610-10

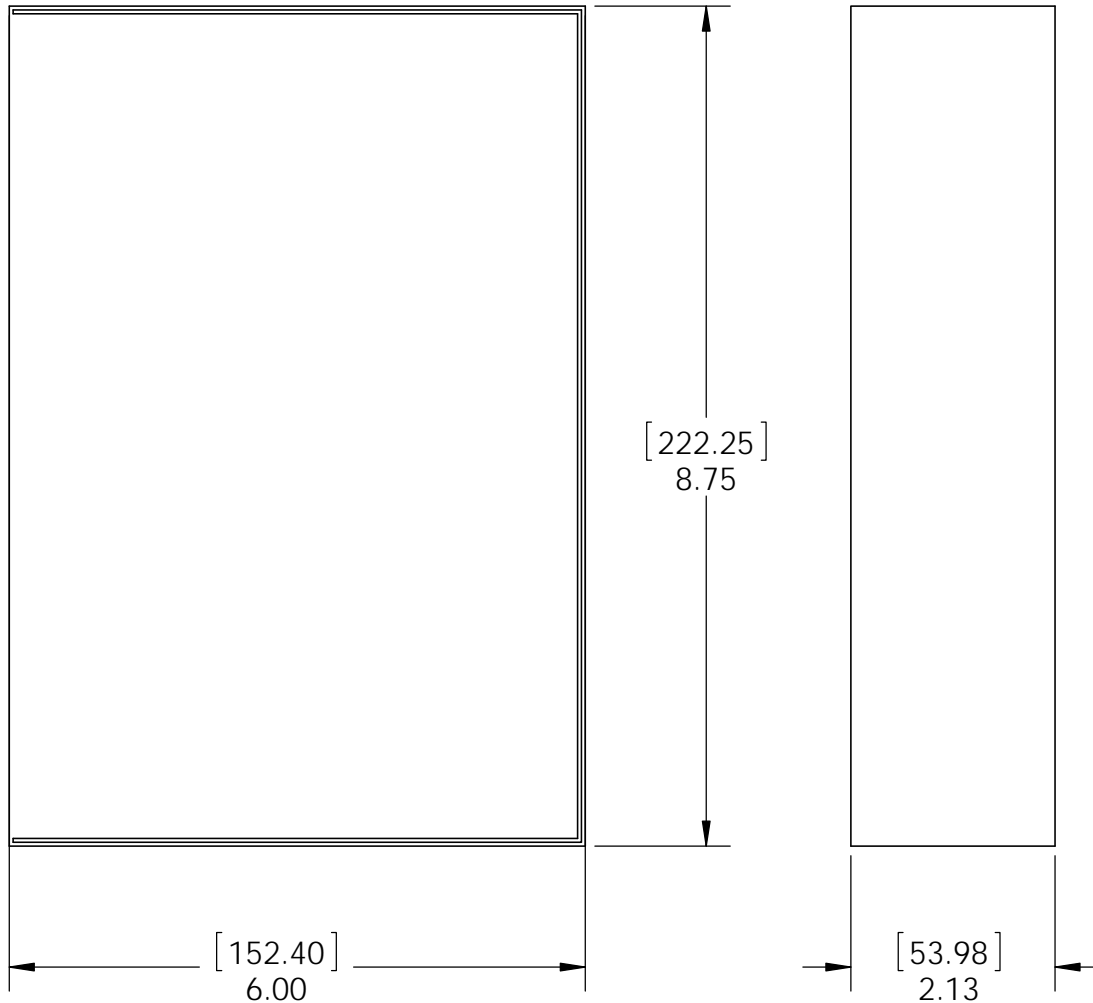


OZCO BUILDING PRODUCTS

Product & Packaging Specs

Box, Post to Beam

Item #: 56610 Box



flap

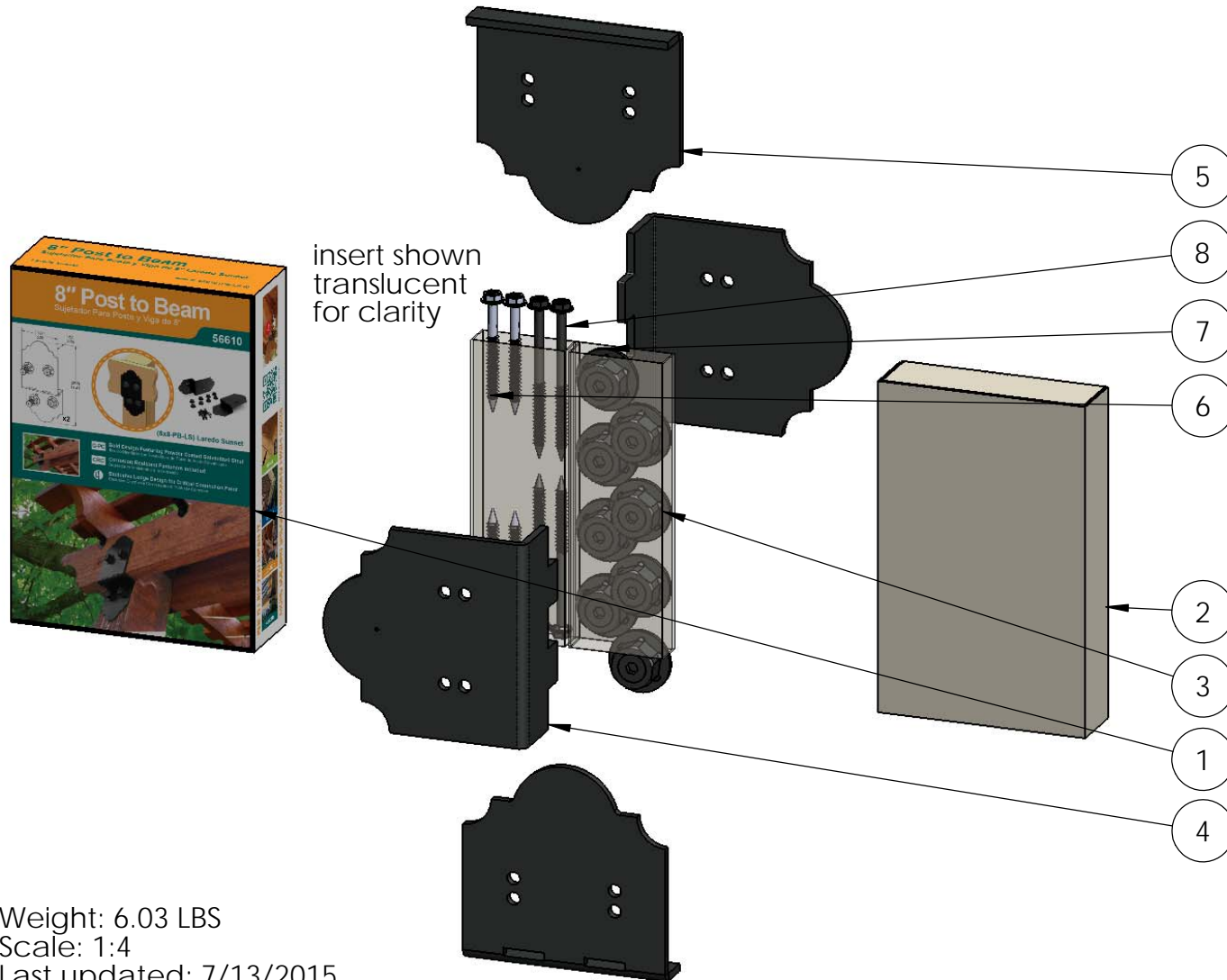
Material: Corrugated Paper
 Finish: See Artwork
 Weight: 0.04 LBS
 Scale: 1:2
 Last updated: 7/13/2015

56610-10

Product & Packaging Specs

56610 Packing

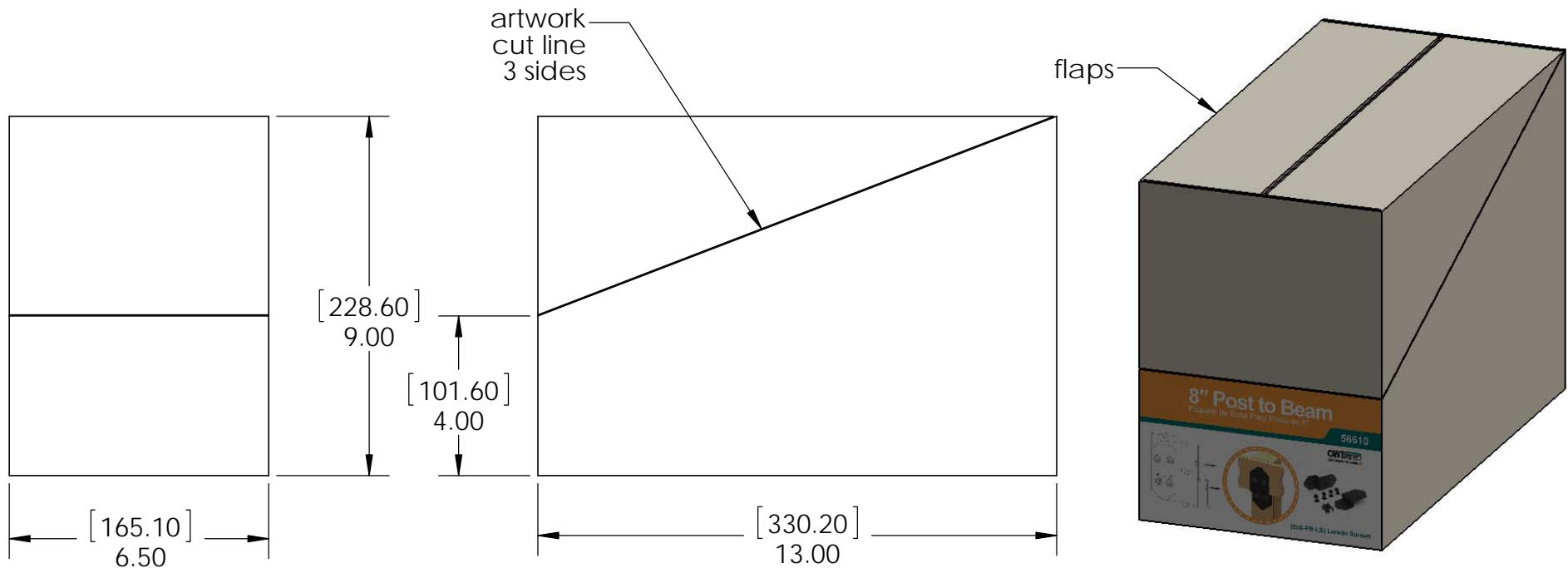
Item #: Box packing



ITEM NO.	QTY.	PART NUMBER	DESCRIPTION
1	1	56610 Box	Box, Post to Beam
2	1	56637 Inner Box	Box, 56637 Inner
3	1	56637 Inner Box Sleeve	Sleeve, Post to Beam Inner Box
4	2	56610-11	Ledge, Post to Beam
5	2	56635-11	Plate, Top 6" Post to Beam
6	4	56626-10	OWT Timber Screw 2-3/4 (70mm)
7	8	56621	1 1/2" Hex Cap Nut
8	4	56627-10	OWT Timber Screw 3-3/4 (95mm)

Weight: 6.03 LBS
 Scale: 1:4
 Last updated: 7/13/2015

56610-10



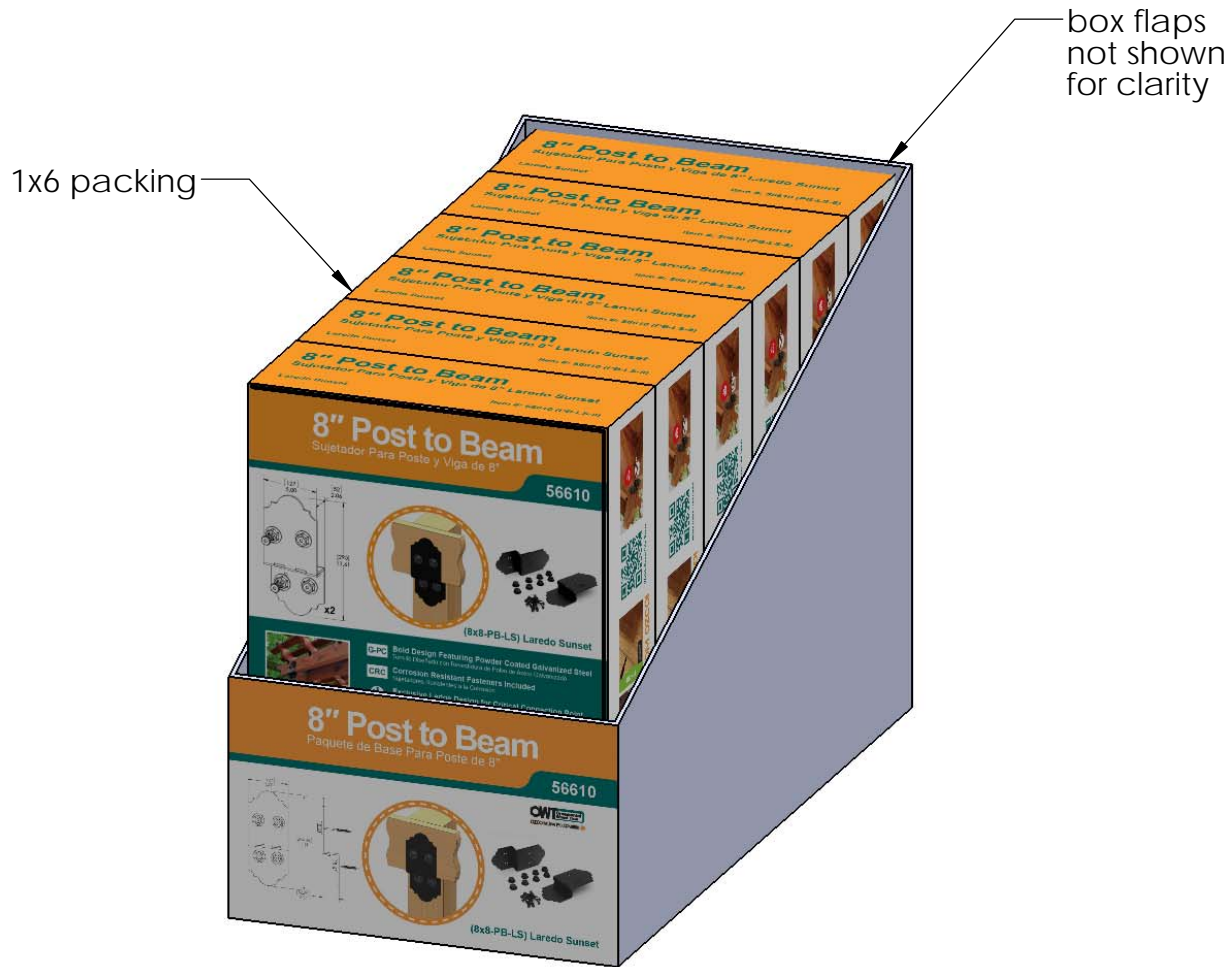
Material: Corrugated Paper
 Finish: Natural
 Weight: 0.23 LBS
 Scale: 1:4
 Last updated: 7/13/2015

56610-10

Product & Packaging Specs

56610 Packing

Item #: Case packing



Weight: 33 LBS
 Scale: 1:3
 Last updated: 7/13/2015

56610-10

Item #: **56610** | **P2B-LS-8**

8" Post to Beam LS

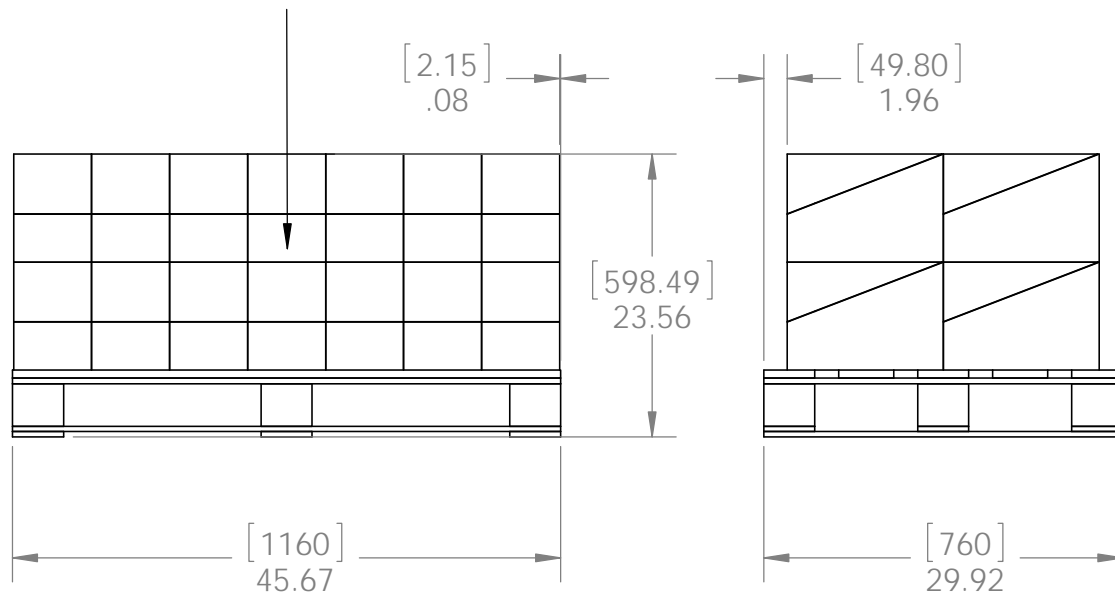
PALLET **168 pcs**

SKU#: **56810**

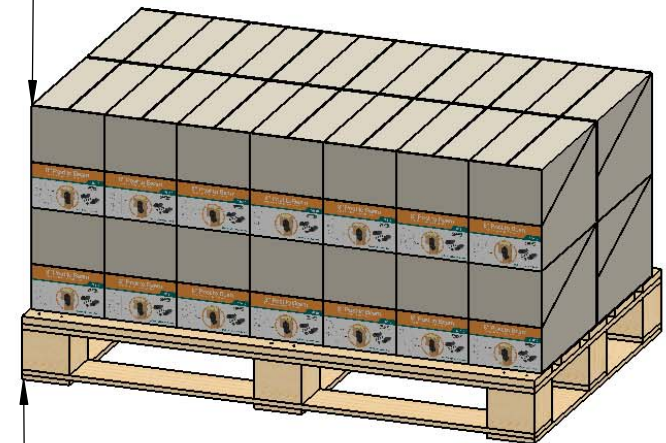


Weight: **1351** lbs

LOT# _____ Priority# _____ **OWT** **OZCO**



Total number of cases: 28
 Total number of pieces:
 28x6=168 pieces on pallet



A pallet



additional pallet packing instructions

- plywood on top layer
- strap to pallet
- clear wrap around boxes

Weight: 1351 LBS
 Scale: 1:16
 Last updated: 7/13/2015

56610-10