

ITEM NO.	QTY.	PART NUMBER	DESCRIPTION
1	2	56615-10	Flush Inside 90

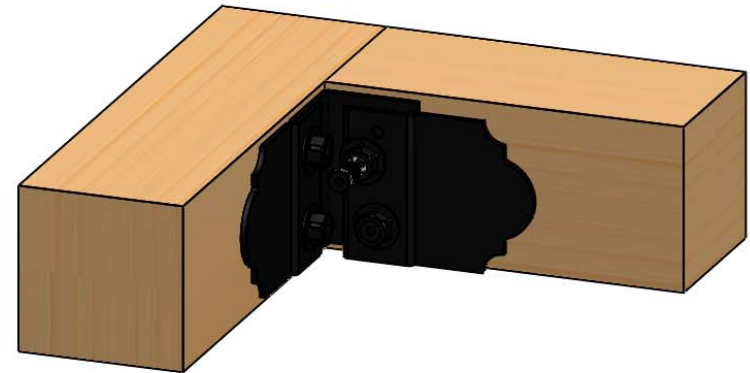
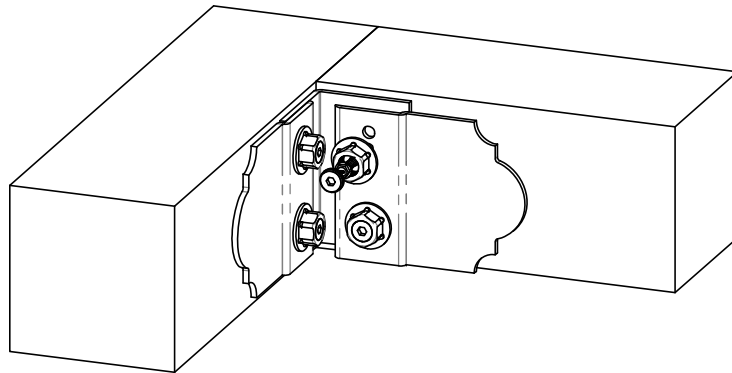
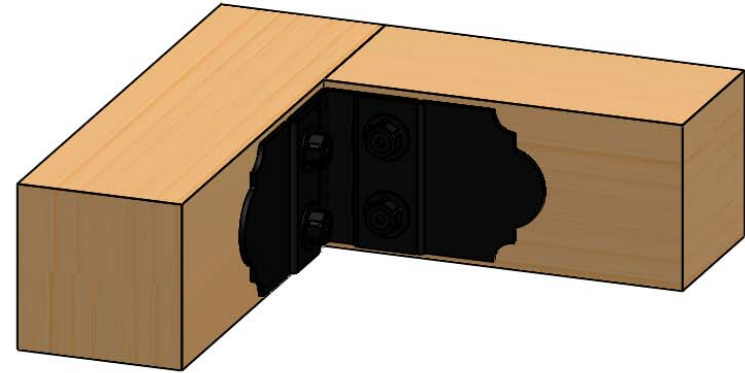
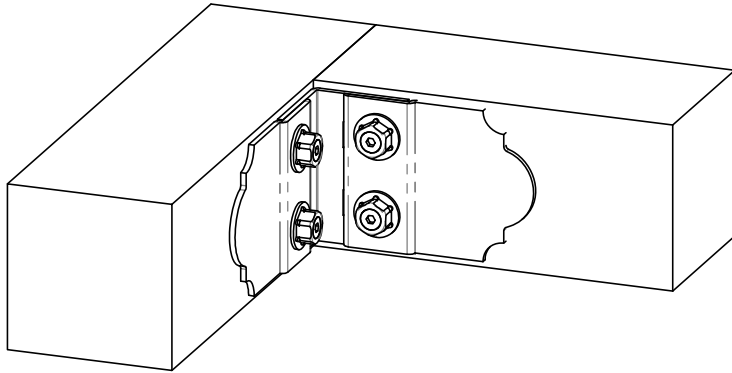
Weight: 3.08 LBS
Scale: 1:2
Last updated: 7/15/2015

56615-10

Product & Packaging Specs

90 Flush Inside

Item #: Typical Installation & Basic Assembly



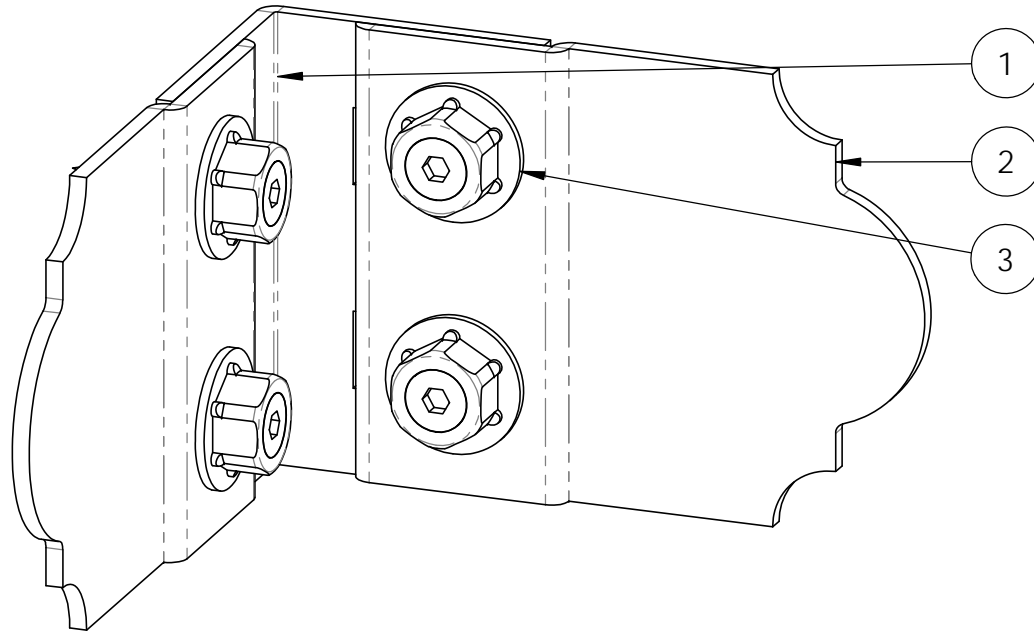
Weight: 4.77 LBS each
Scale: 1:6
Last updated: 7/15/2015

56615-10

Product & Packaging Specs

90 Flush Inside

Item #: 56615ASM with 56625



ITEM NO.	QTY.	PART NUMBER	DESCRIPTION
1	0.5	56615-10	Flush Inside 90
2	4	56625	OWT Timber Screw 1-3/4"
3	2	56611	Truss Accent Assembly

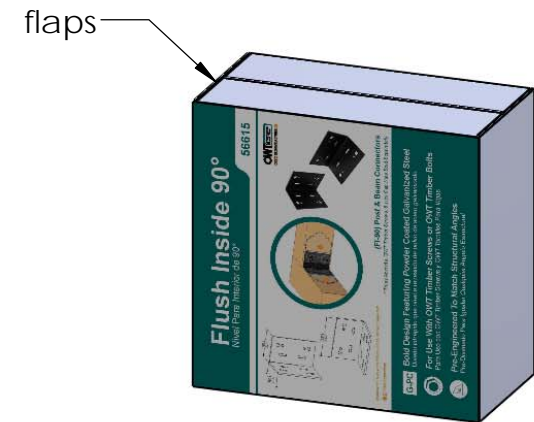
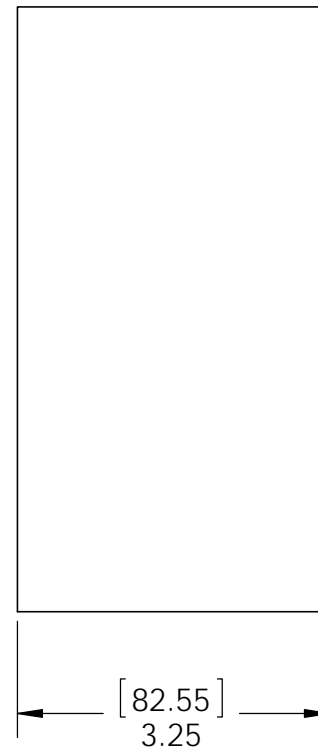
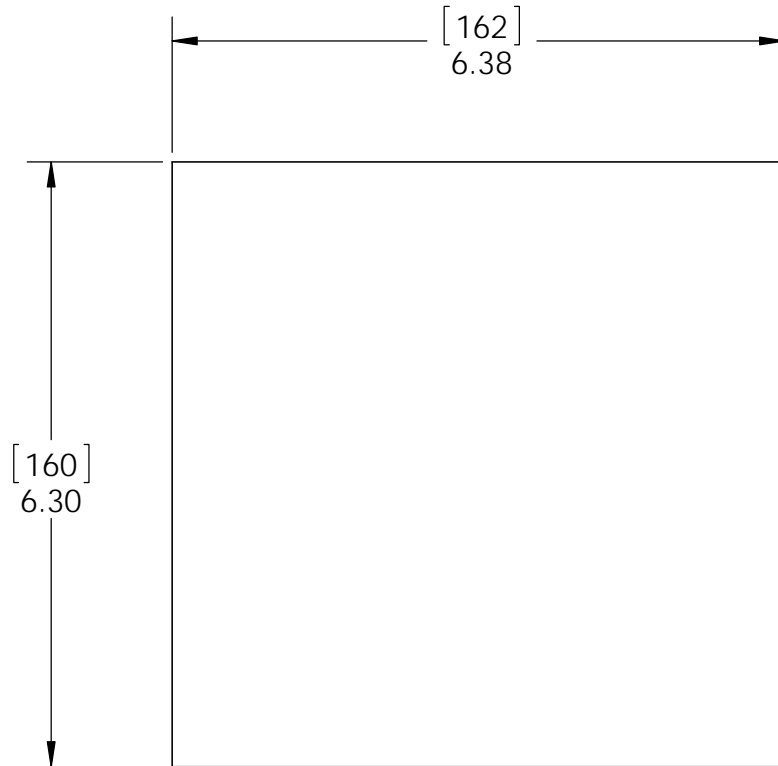
Weight: 4.77 LBS
 Scale: 1:2
 Last updated: 7/15/2015

not sold as shown; for use in Projects only

Product & Packaging Specs

Box, Flush Inside 45 & 90

Item #: 56615 Box



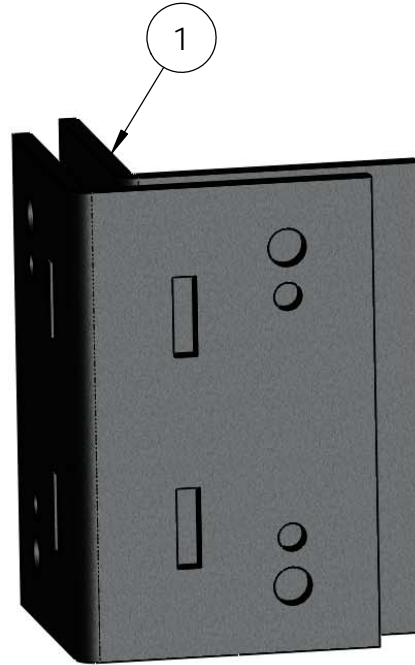
Material: Corrugated Paper
 Finish: see artwork
 Weight: 0.04 LBS
 Scale: 1:2
 Last updated: 7/15/2015

56615-10

Product & Packaging Specs

56615 Packing

Item #: Box Packing



ITEM NO.	QTY.	PART NUMBER	DESCRIPTION
1	1	56615-10	Flush Inside 90
2	1	56615 Box	Box, Flush Inside 45 & 90

items not shown:

- installation instructions
- parts wrapped in packing foam sheet

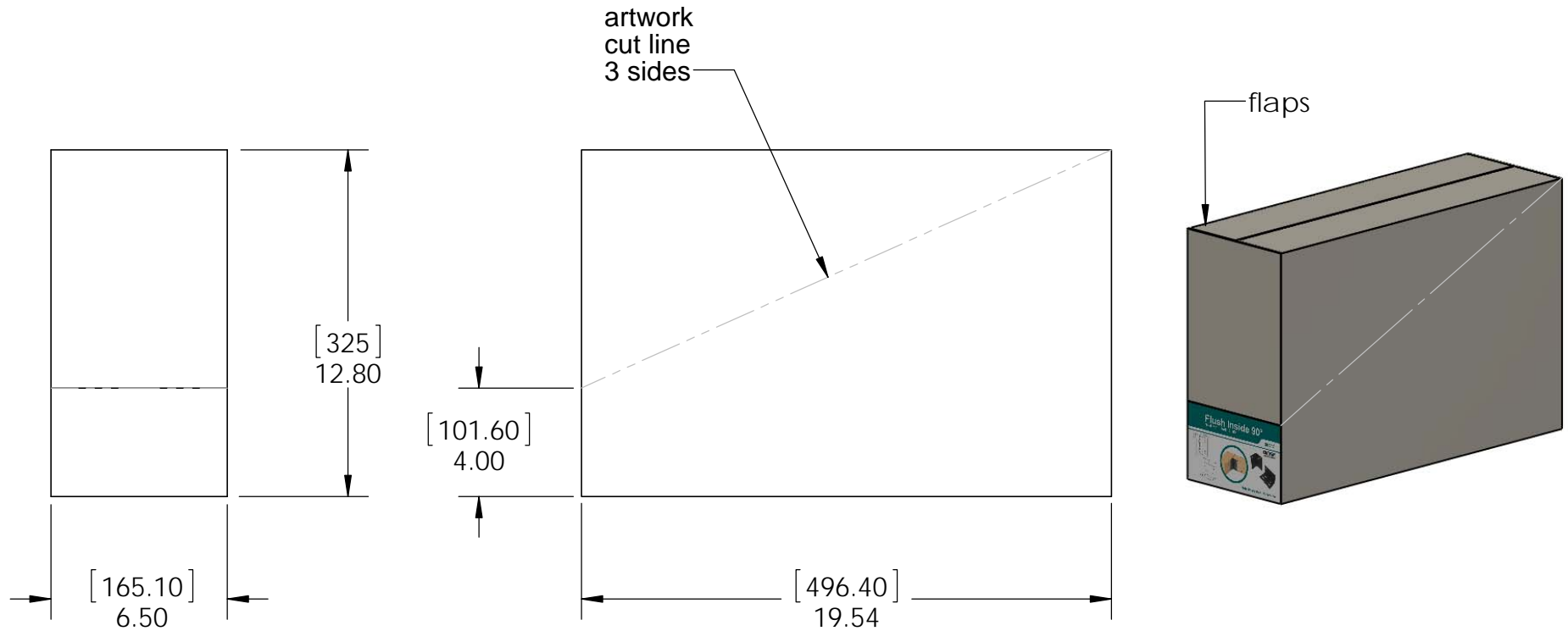
Weight: 3.13 LBS
 Scale: 1:2
 Last updated: 7/15/2015

56615-10

Product & Packaging Specs

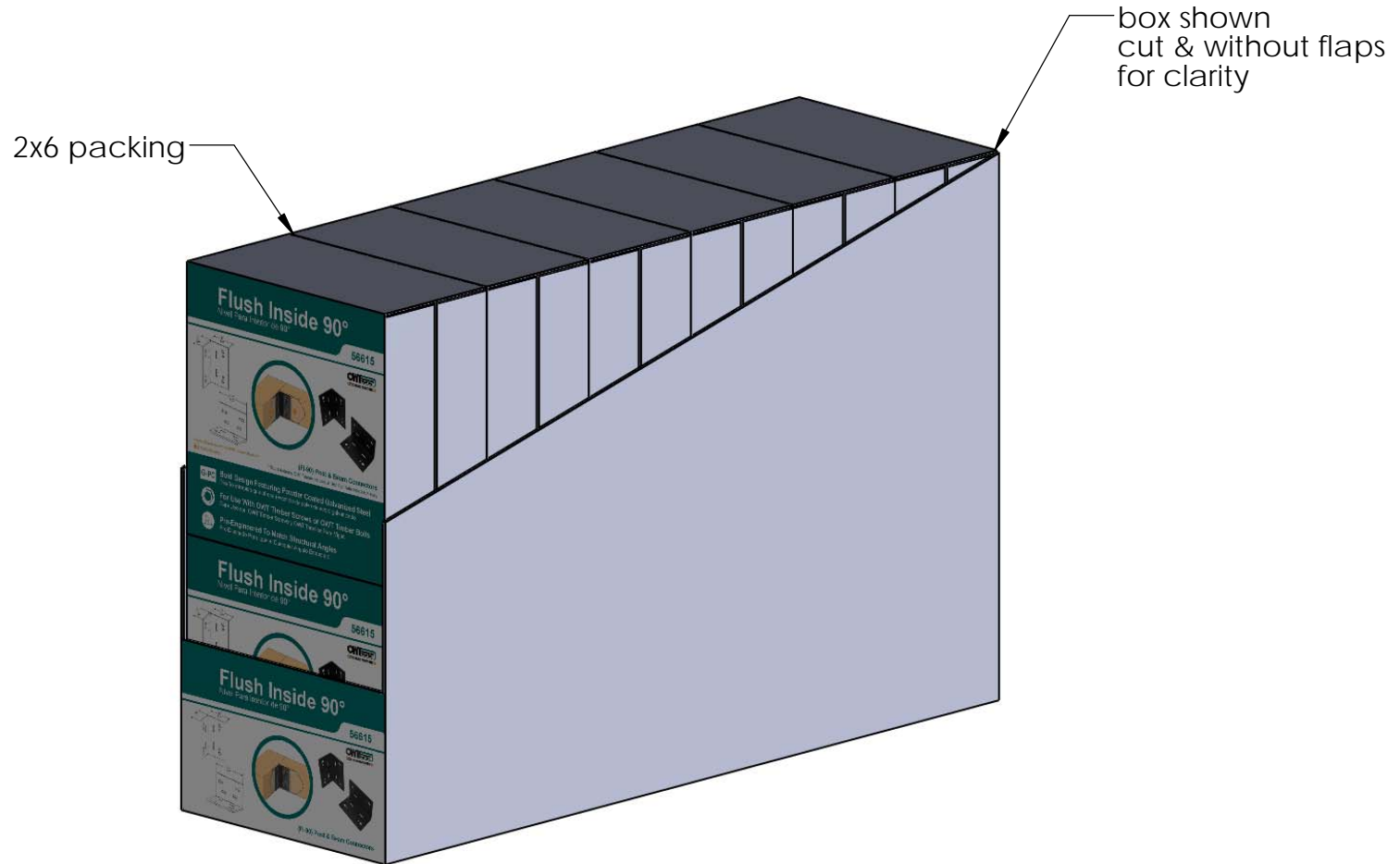
Box, Flush inside 45 & 90 Case

Item #: 56615 Case



Material: Corrugated Paper
 Finish: see artwork
 Weight: 0.29 LBS
 Scale: 1:6
 Last updated: 7/15/2015

56615-10



Weight: 3.86 LBS
 Scale: 1:4
 Last updated: 7/15/2015

56615-10



OZCO BUILDING PRODUCTS

Product & Packaging Specs

56615 Packing

Item #: Pallet Packing

Item #: **56615** | **FI90**

Flush Inside 90°

PALLET | **192 pcs**

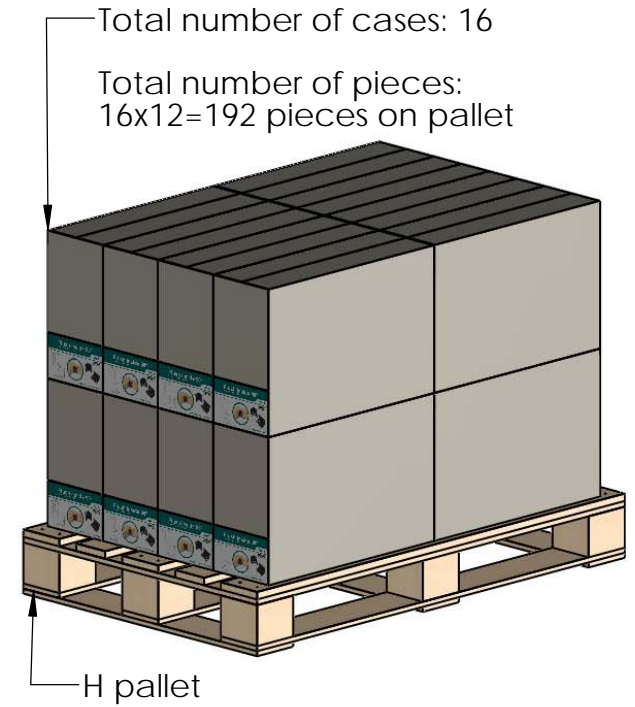
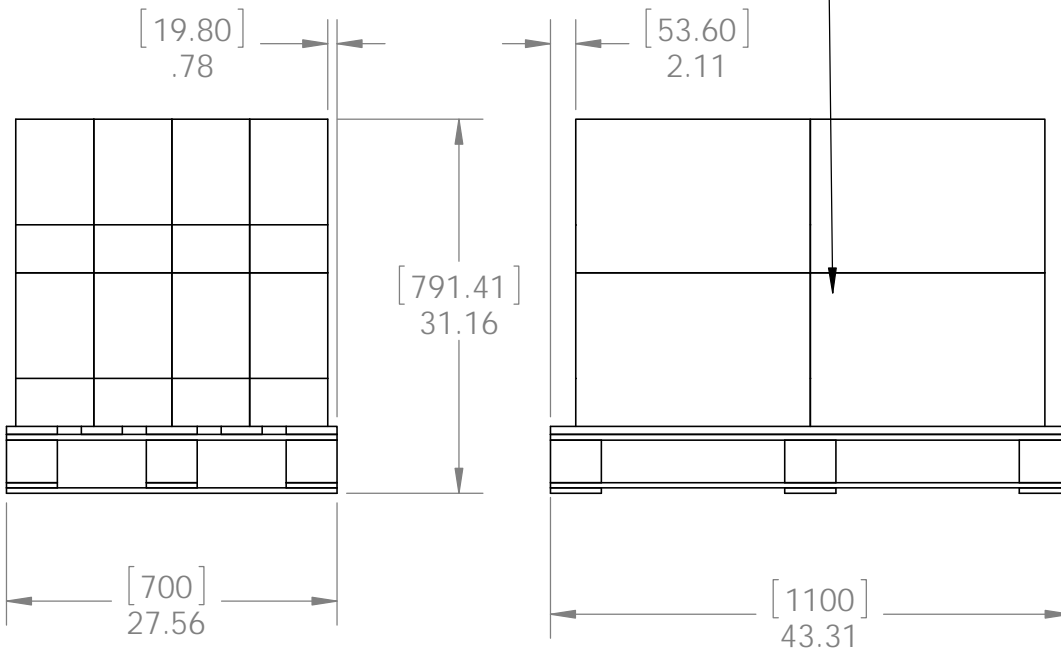
SKU#: **56815**



Weight: **667 lbs**

LOT#

Priority#



Total number of cases: 16

Total number of pieces:
16x12=192 pieces on pallet



additional pallet packing instructions

- plywood on top layer
- strap to pallet
- clear wrap around boxes

Weight: 667 LBS
Scale: 1:12
Last updated: 7/15/2015

56615-10