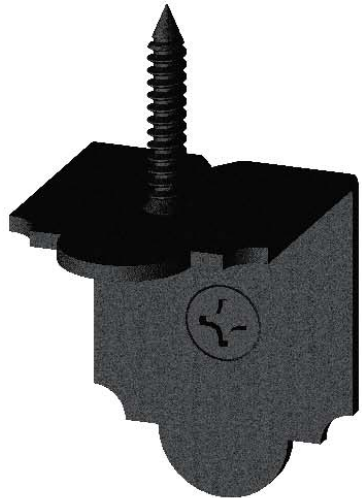
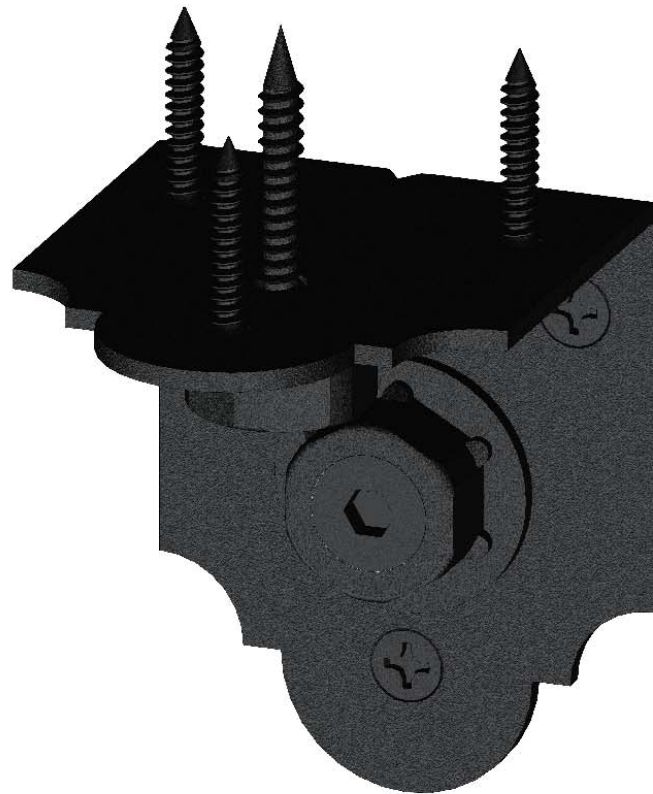


Installation Instructions, Rafter Clips

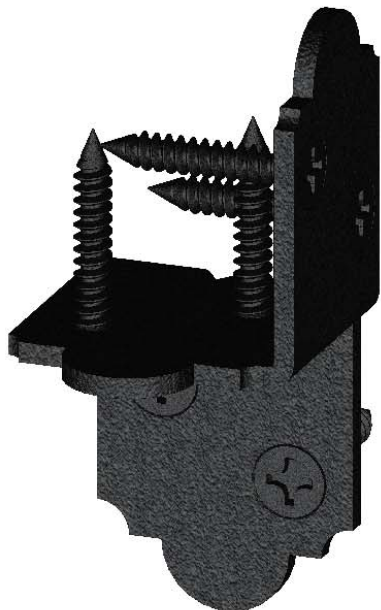
56617 2" Standard
56618 4" Standard
56638 2" High Velocity



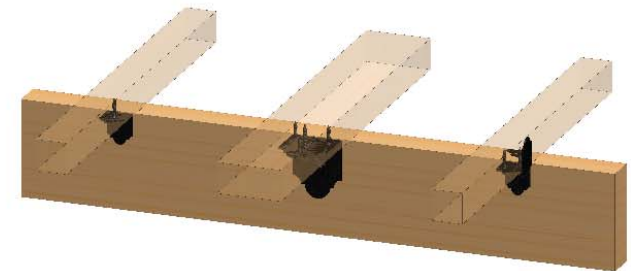
56617



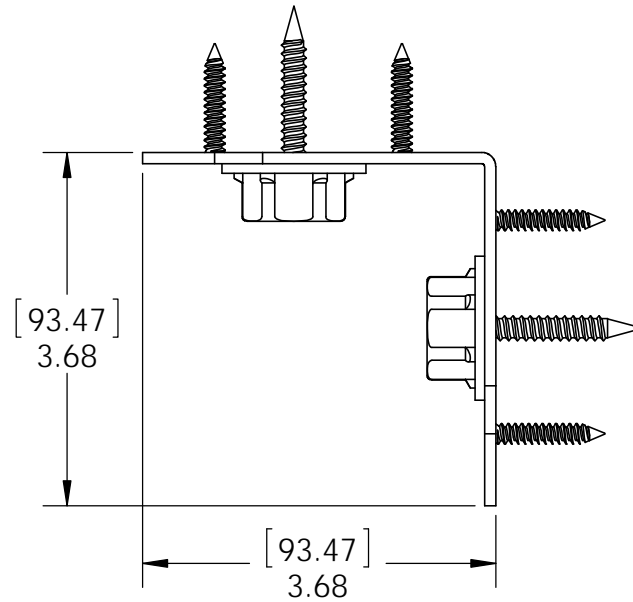
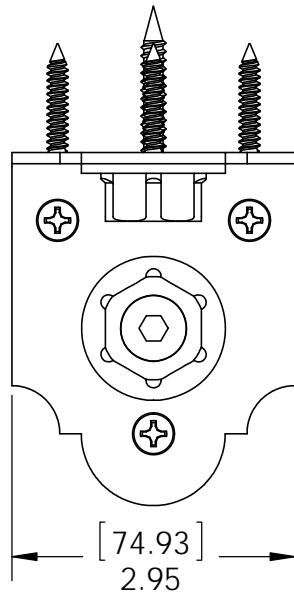
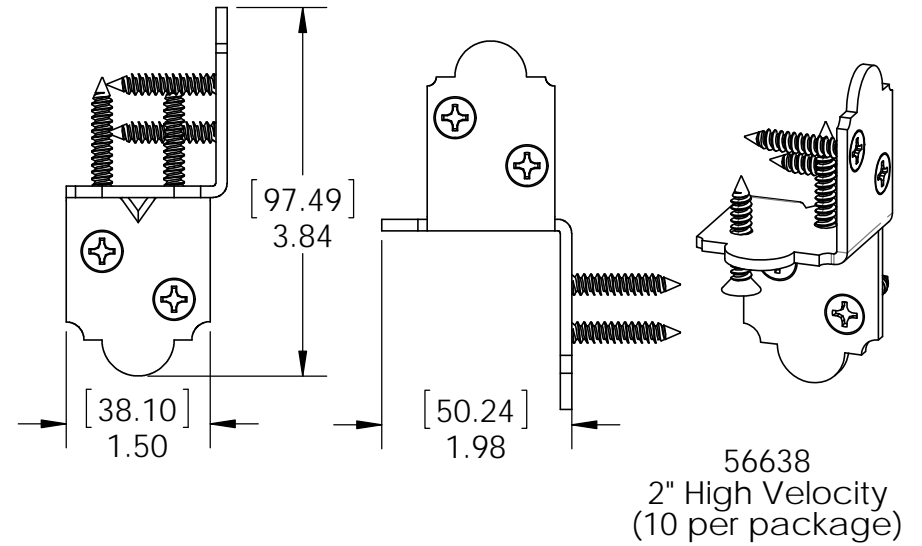
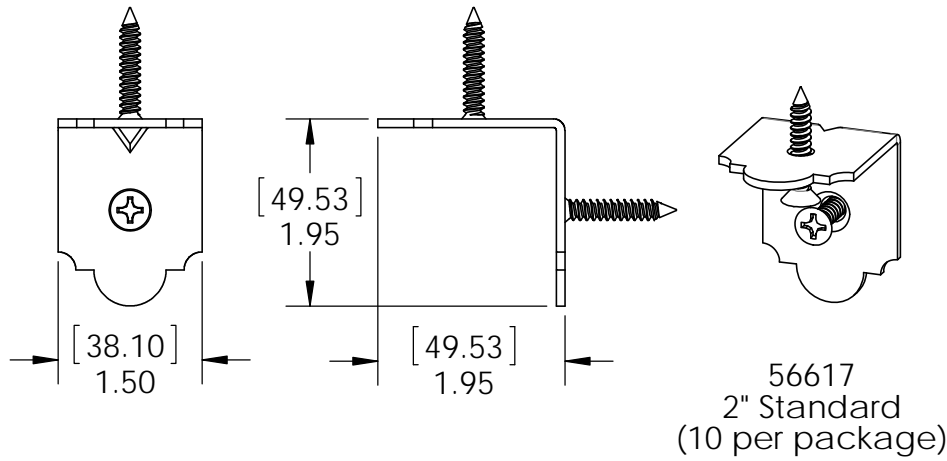
56618



56638



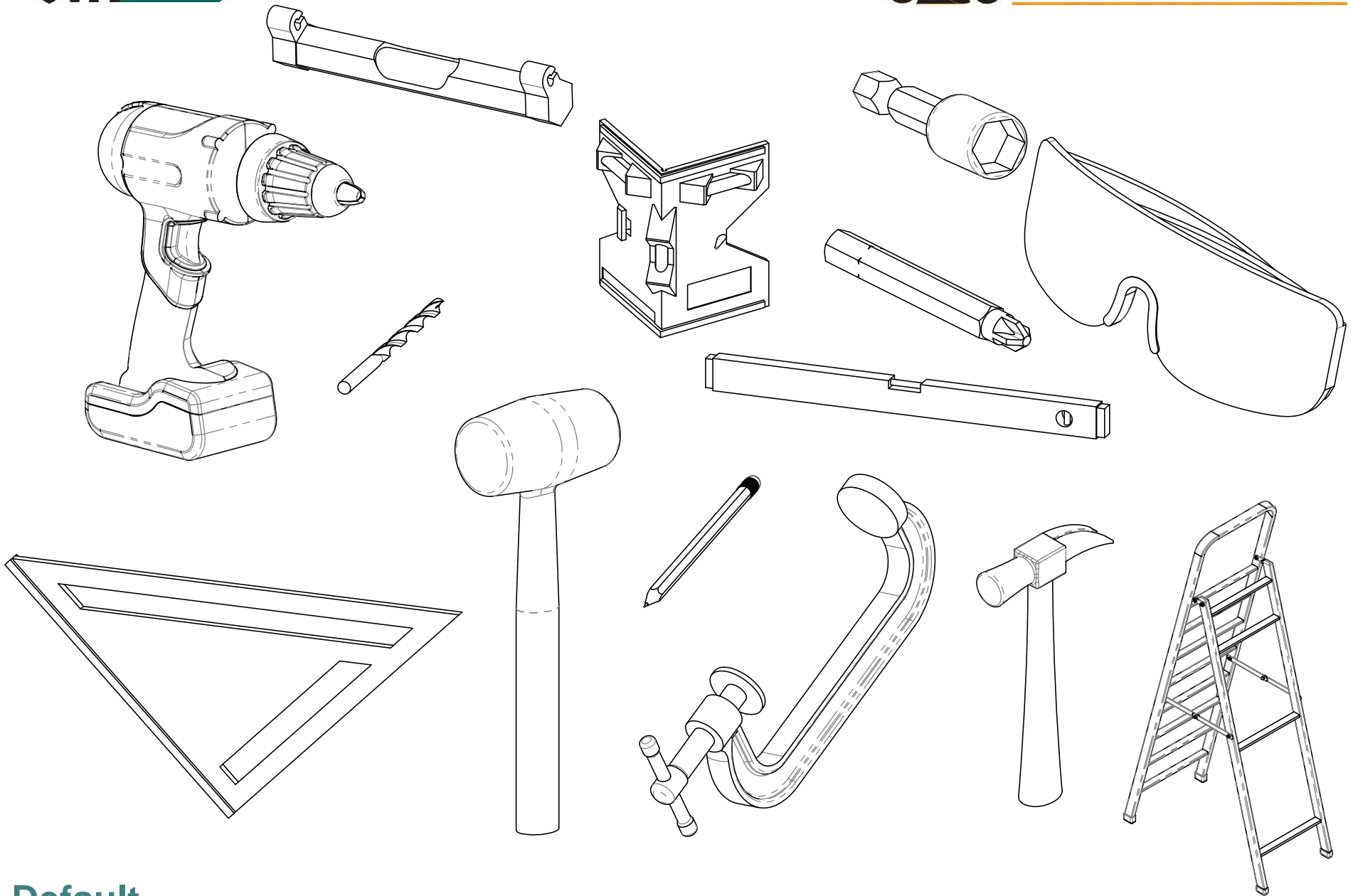
Typical Installation



56618
4" Standard
(10 per package)

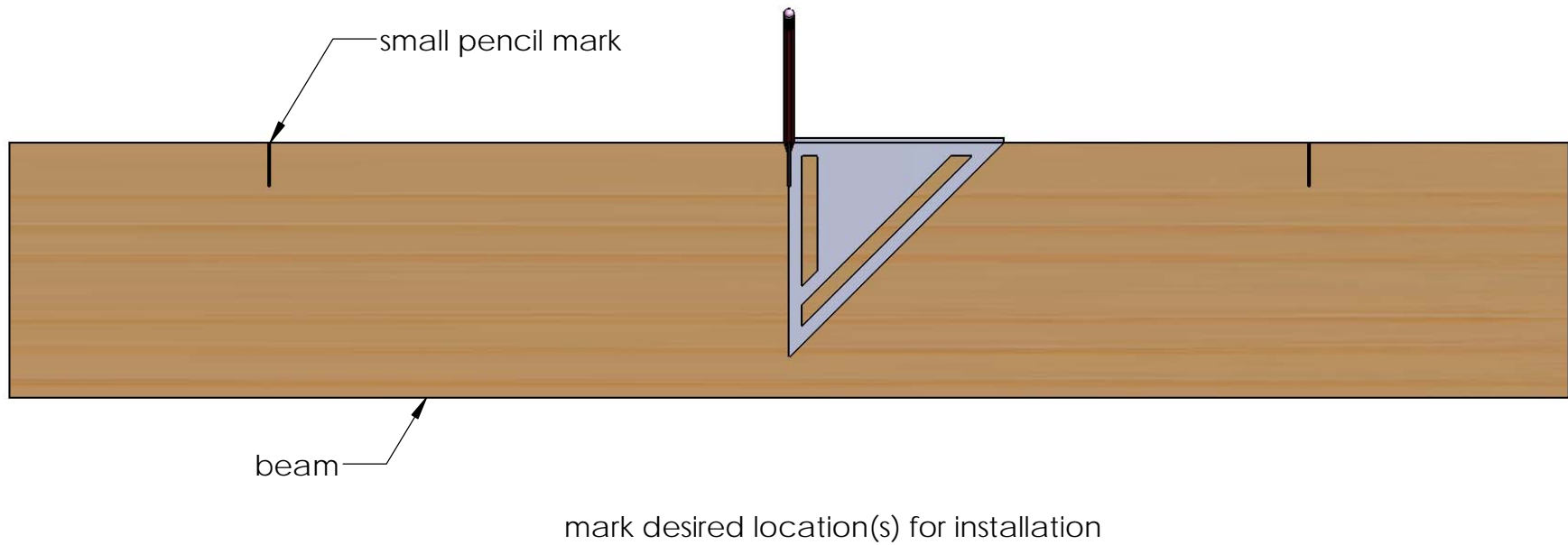
Overview

Installation Instructions, Rafter Clips



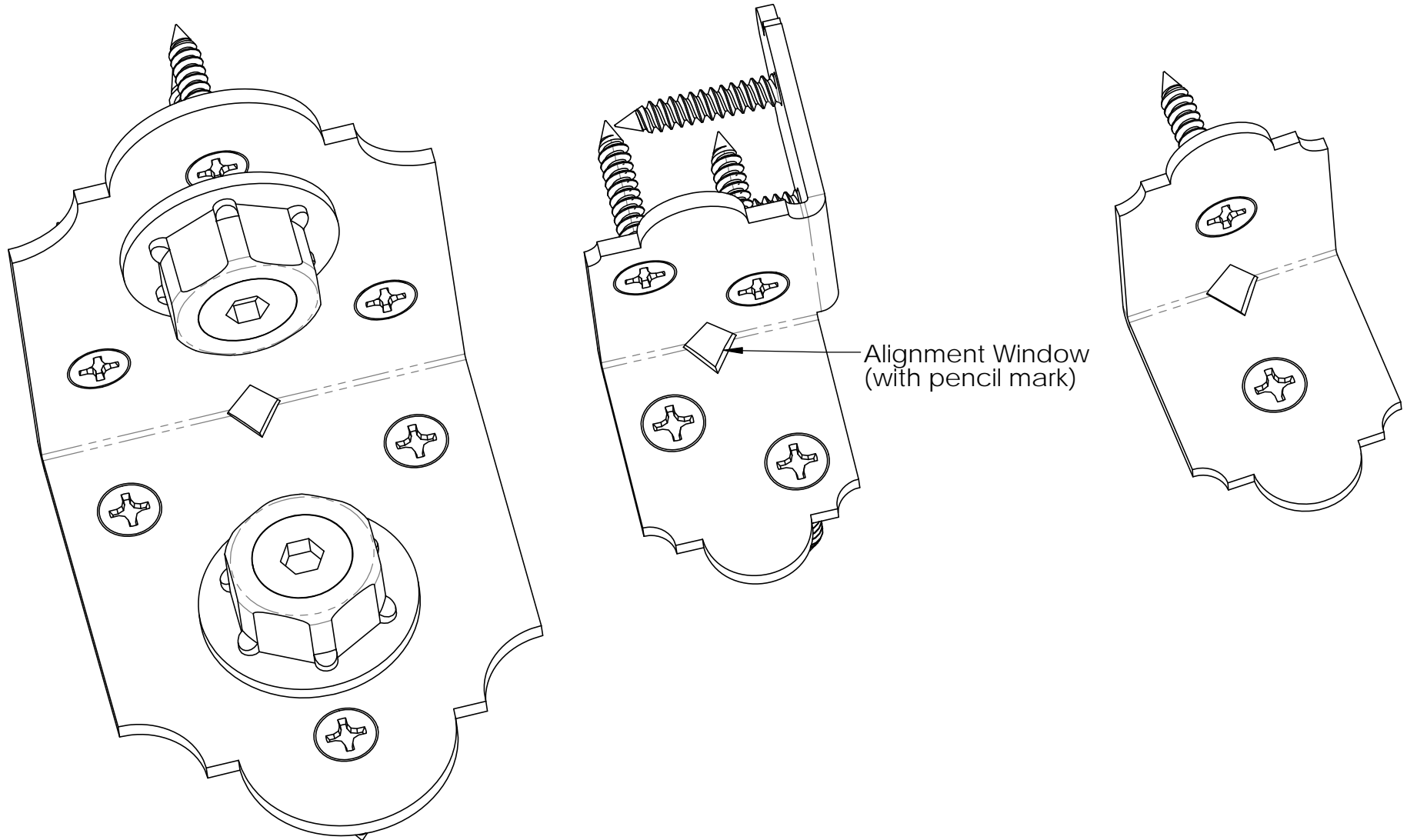
Default

Installation Instructions, Rafter Clips



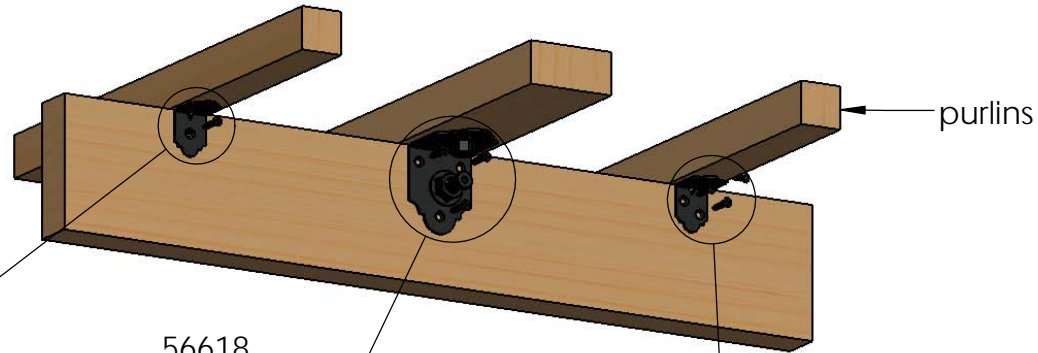
step 1

Installation Instructions, Rafter Clips



alignment window

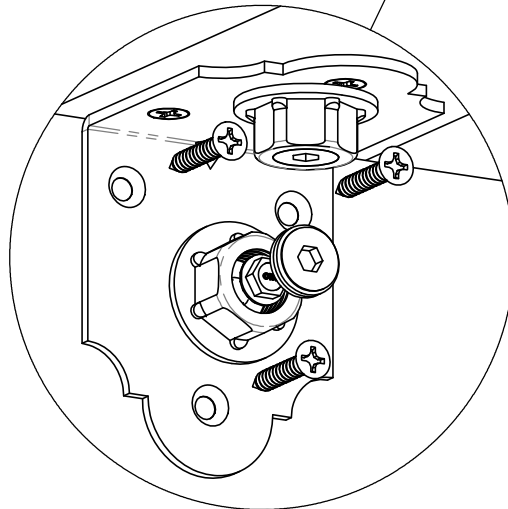
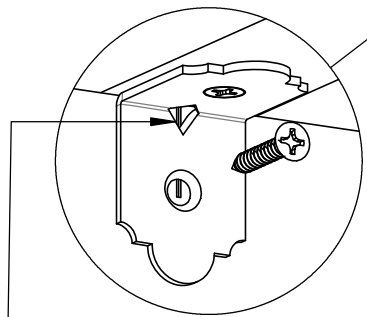
Installation Instructions, Rafter Clips



56617
2" Standard

56618
4" Standard

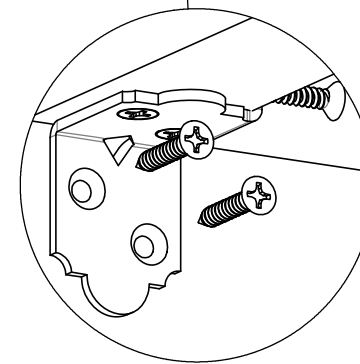
purlins



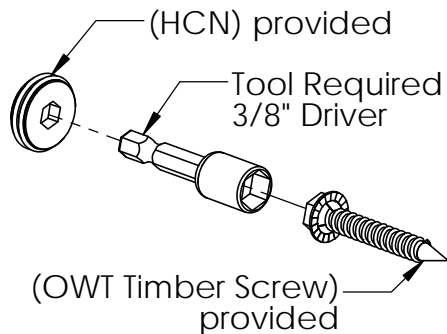
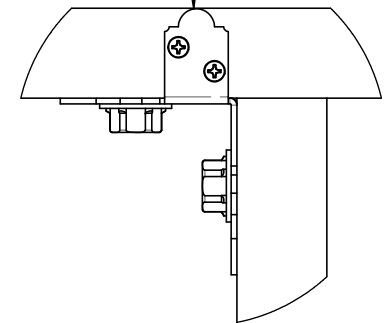
note pencil mark in Alignment Window.

center rafter clip on pencil mark & secure

note tab on High Velocity Rafter Clip



56638
2" High Velocity



(HCN) provided

Tool Required
3/8" Driver

(OWT Timber Screw)
provided

step 2

Installation Instructions, Rafter Clips