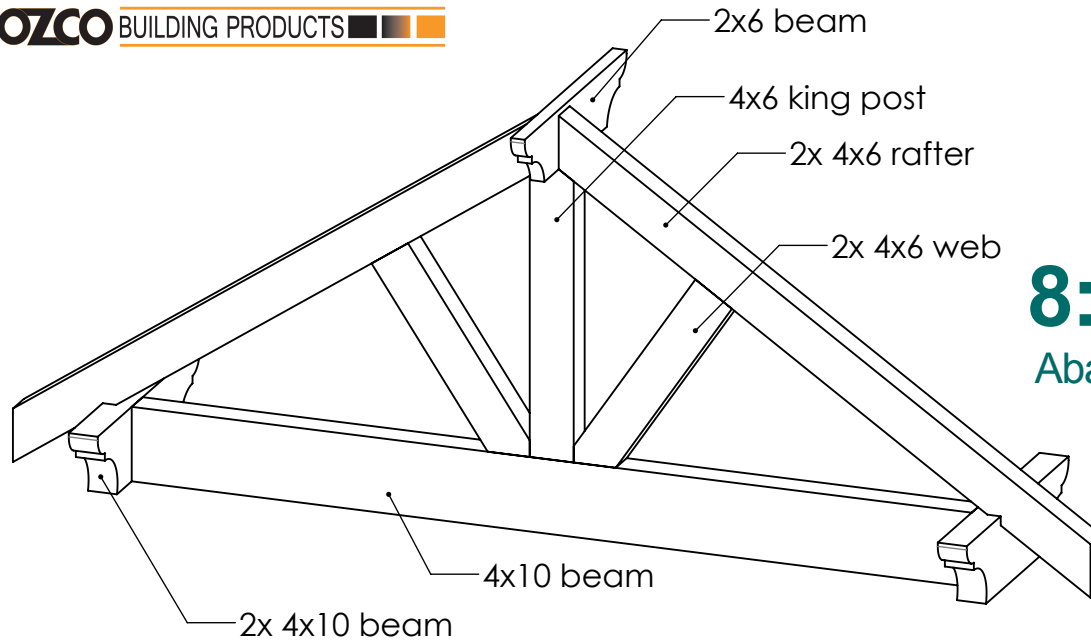




OZCO BUILDING PRODUCTS

Truss Construction Truss Base Fan Calculator



8:12 Truss Base Fan Abanico Apuntalador de 8:12 56619

Beam (in)	King Post (in)	Rafter (in)	Web (in)
96	30.54	54.62	24.20
97	30.88	55.23	24.48
98	31.22	55.83	24.76
99	31.55	56.43	25.04
100	31.89	57.03	25.32
101	32.23	57.64	25.60
102	32.57	58.24	25.88
103	32.90	58.84	26.16
104	33.24	59.45	26.44
105	33.58	60.05	26.72
106	33.91	60.65	27.00
107	34.25	61.26	27.28
108	34.59	61.86	27.56
109	34.93	62.46	27.83
110	35.26	63.06	28.11
111	35.60	63.67	28.39
112	35.94	64.27	28.67
113	36.27	64.87	28.95
114	36.61	65.48	29.23
115	36.95	66.08	29.51
116	37.29	66.68	29.79

Beam (in)	King Post (in)	Rafter (in)	Web (in)
117	37.62	67.28	30.07
118	37.96	67.89	30.35
119	38.30	68.49	30.63
120	38.63	69.09	30.91
121	38.97	69.70	31.19
122	39.31	70.30	31.47
123	39.65	70.90	31.75
124	39.98	71.51	32.03
125	40.32	72.11	32.31
126	40.66	72.71	32.59
127	40.99	73.31	32.87
128	41.33	73.92	33.15
129	41.67	74.52	33.43
130	42.01	75.12	33.71
131	42.34	75.73	33.99
132	42.68	76.33	34.27
133	43.02	76.93	34.54
134	43.35	77.53	34.82
135	43.69	78.14	35.10
136	44.03	78.74	35.38
137	44.37	79.34	35.66

Beam (in)	King Post (in)	Rafter (in)	Web (in)
138	44.70	79.95	35.94
139	45.04	80.55	36.22
140	45.38	81.15	36.50
141	45.71	81.76	36.78
142	46.05	82.36	37.06
143	46.39	82.96	37.34
144	46.73	83.56	37.62
145	47.06	84.17	37.90
146	47.40	84.77	38.18
147	47.74	85.37	38.46
148	48.07	85.98	38.74
149	48.41	86.58	39.02
150	48.75	87.18	39.30
151	49.09	87.78	39.58
152	49.42	88.39	39.86
153	49.76	88.99	40.14
154	50.10	89.59	40.42
155	50.43	90.20	40.70
156	50.77	90.80	40.98
157	51.11	91.40	41.25
158	51.45	92.01	41.53

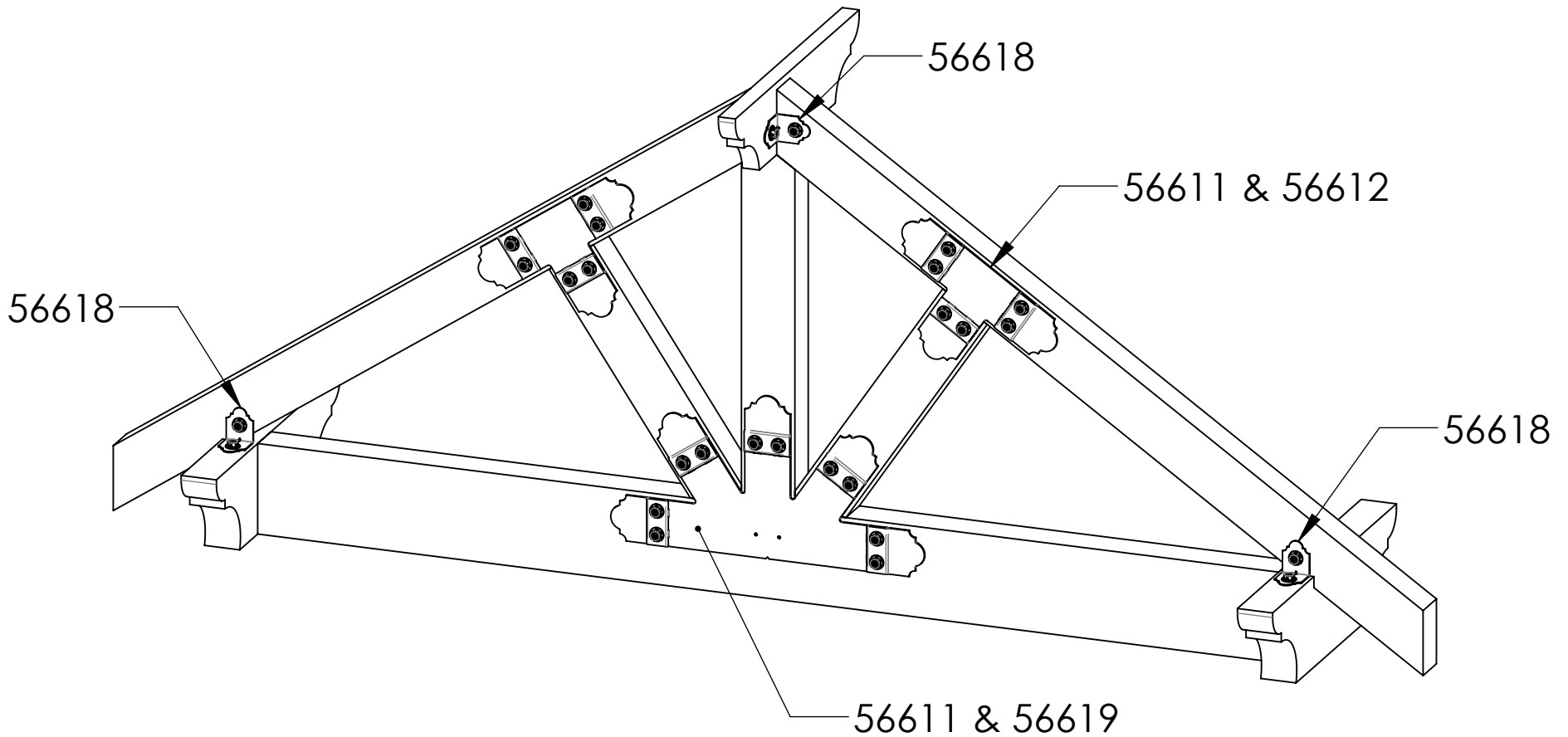
Beam (in)	King Post (in)	Rafter (in)	Web (in)
159	51.78	92.61	41.81
160	52.12	93.21	42.09
161	52.46	93.81	42.37
162	52.79	94.42	42.65
163	53.13	95.02	42.93
164	53.47	95.62	43.21
165	53.80	96.23	43.49
166	54.14	96.83	43.77
167	54.48	97.43	44.05
168	54.82	98.03	44.33
169	55.15	98.64	44.61
170	55.49	99.24	44.89
171	55.83	99.84	45.17
172	56.16	100.45	45.45
173	56.50	101.05	45.73
174	56.84	101.65	46.01
175	57.18	102.26	46.29
176	57.51	102.86	46.57
177	57.85	103.46	46.85
178	58.19	104.06	47.13
179	58.52	104.67	47.41

Beam (in)	King Post (in)	Rafter (in)	Web (in)
180	58.86	105.27	47.69
181	59.20	105.87	47.96
182	59.54	106.48	48.24
183	59.87	107.08	48.52
184	60.21	107.68	48.80
185	60.55	108.28	49.08
186	60.88	108.89	49.36
187	61.22	109.49	49.64
188	61.56	110.09	49.92
189	61.90	110.70	50.20
190	62.23	111.30	50.48
191	62.57	111.90	50.76
192	62.91	112.51	51.04
193	63.24	113.11	51.32
194	63.58	113.71	51.60
195	63.92	114.31	51.88
196	64.26	114.92	52.16
197	64.59	115.52	52.44
198	64.93	116.12	52.72
199	65.27	116.73	53.00
200	65.60	117.33	53.28

Truss Construction

56619 Truss Base Fan Calculator

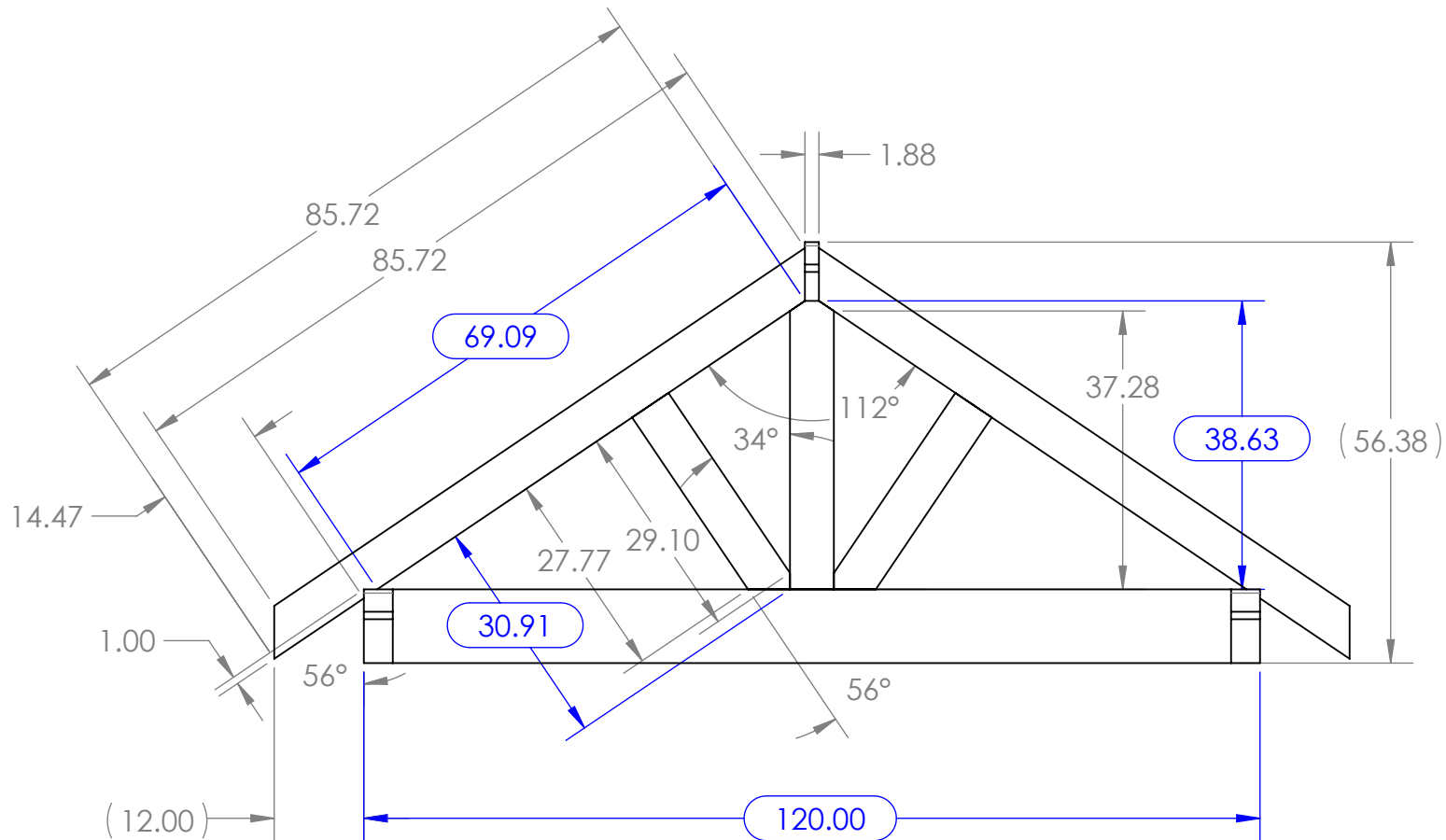
8:12



Truss Construction

56619 Truss Base Fan Calculator

8:12



Board	Length
Beam	120.00
Rafter	69.09
King Post	38.63
Web Post	30.91

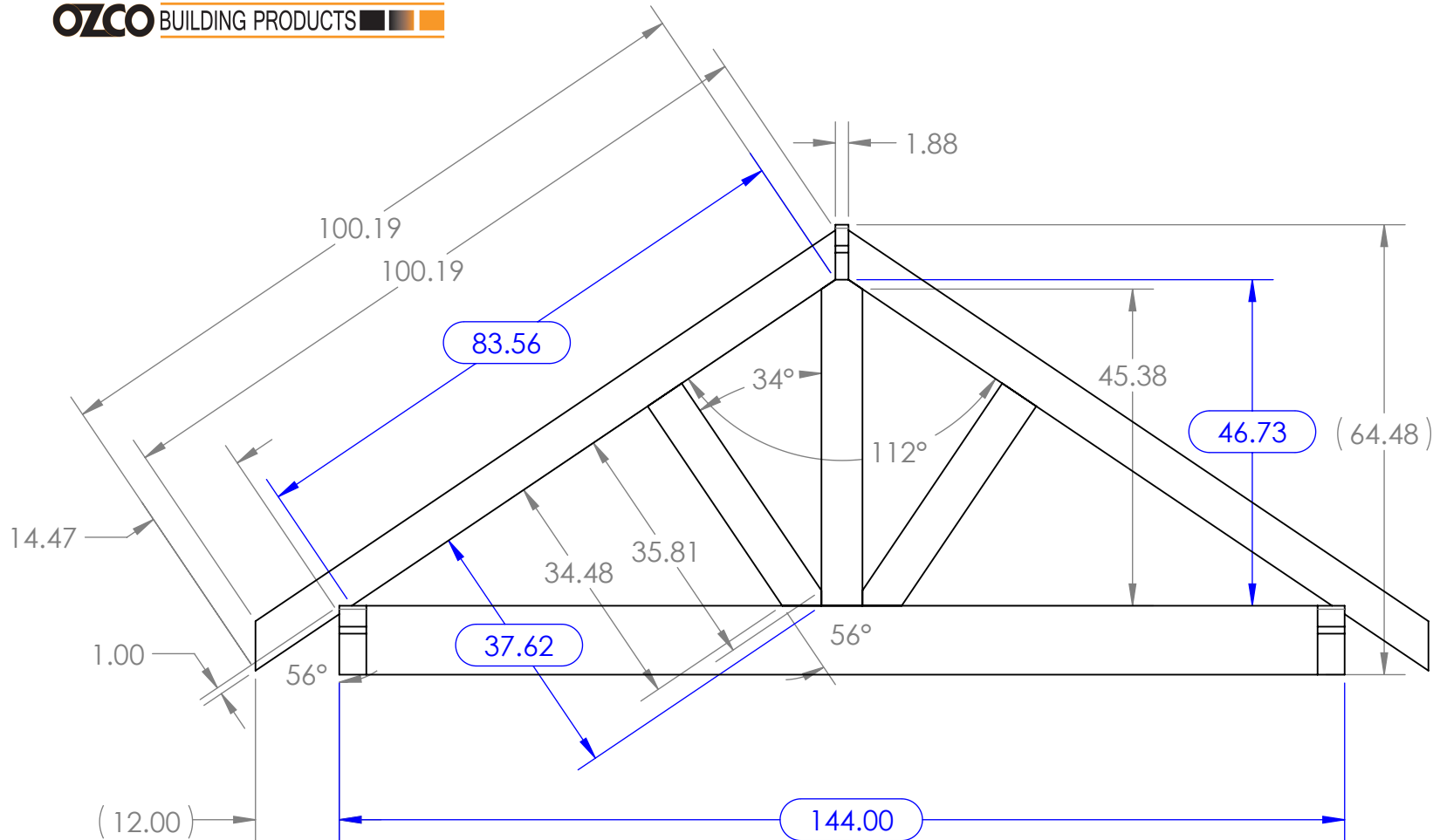
Weight: 220.05 LBS
 Scale: 1:24
 Last updated: 1/15/2015

56619 Truss Base Fan Calculator

Truss Construction

56619 Truss Base Fan Calculator

8:12



Board	Length
Beam	144.00
Rafter	83.56
King Post	46.73
Web Post	37.62

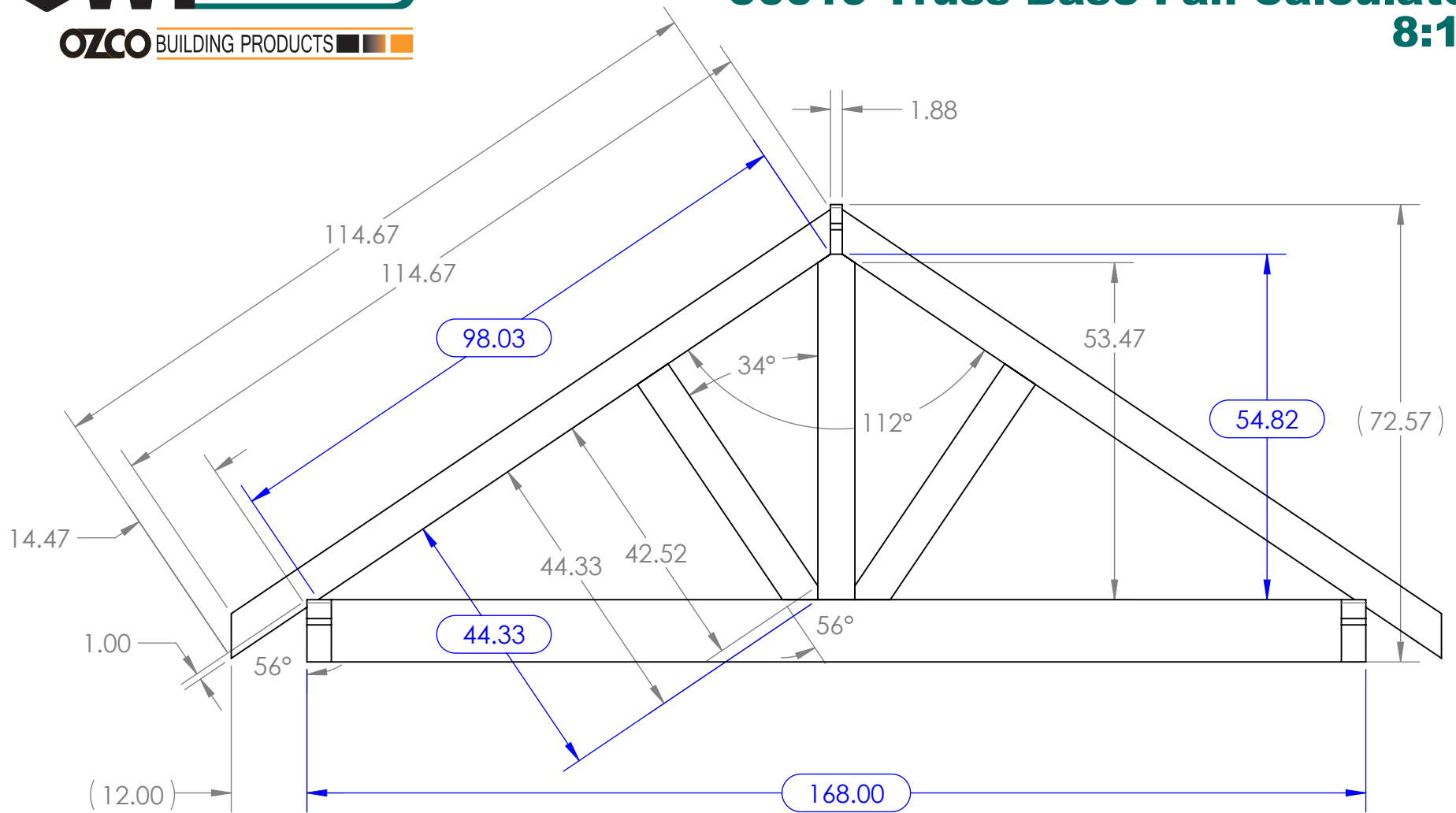
Weight: 255.15 LBS
 Scale: 1:24
 Last updated: 1/15/2015

56619 Truss Base Fan Calculator

Truss Construction

56619 Truss Base Fan Calculator

8:12



Board	Length
Beam	168.00
Rafter	98.03
King Post	54.82
Web Post	44.33

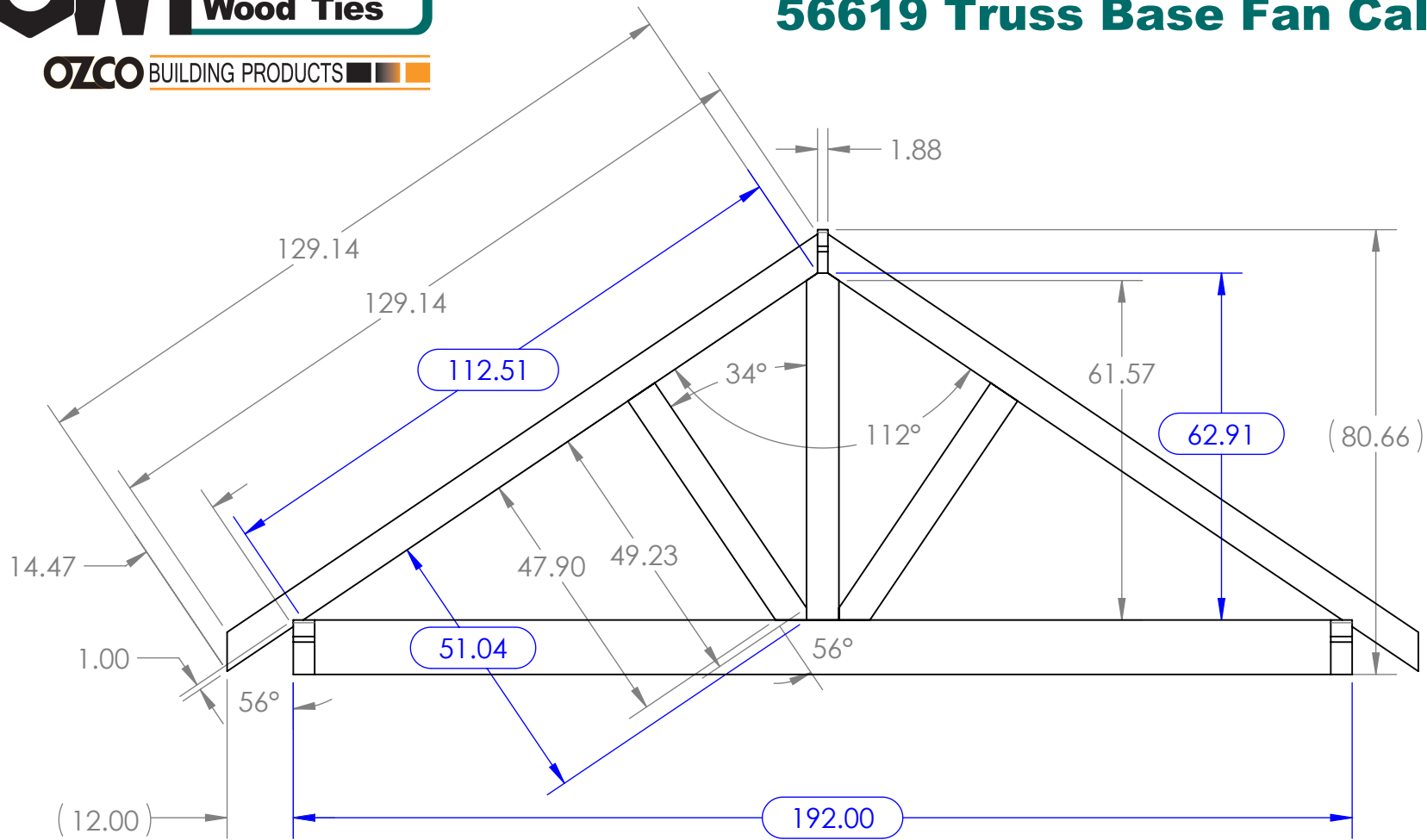
Weight: 290.25 LBS
 Scale: 1:24
 Last updated: 1/15/2015

56619 Truss Base Fan Calculator

Truss Construction

56619 Truss Base Fan Calculator

8:12



Board	Length
Beam	192.00
Rafter	112.51
King Post	62.91
Web Post	51.04

Weight: 325.36 LBS
 Scale: 1:30
 Last updated: 1/15/2015

56619 Truss Base Fan Calculator