

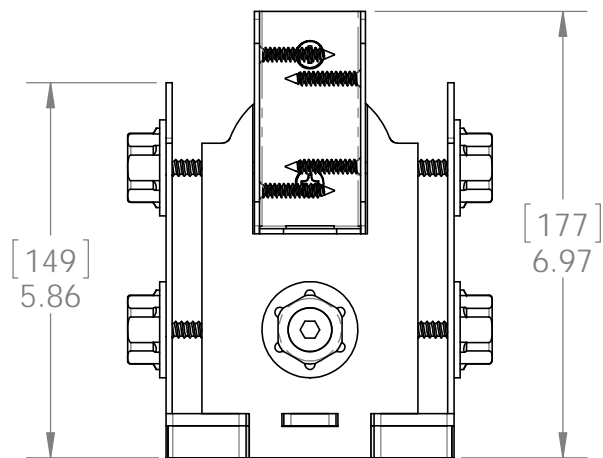
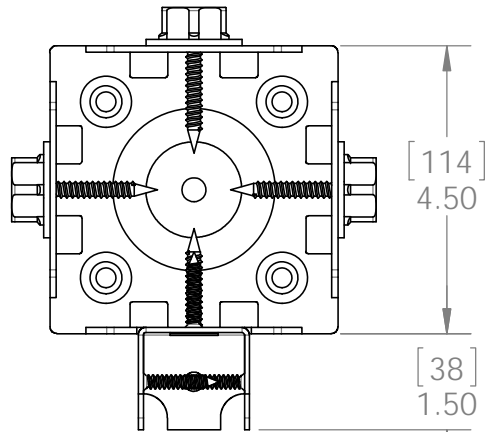


OZCO BUILDING PRODUCTS

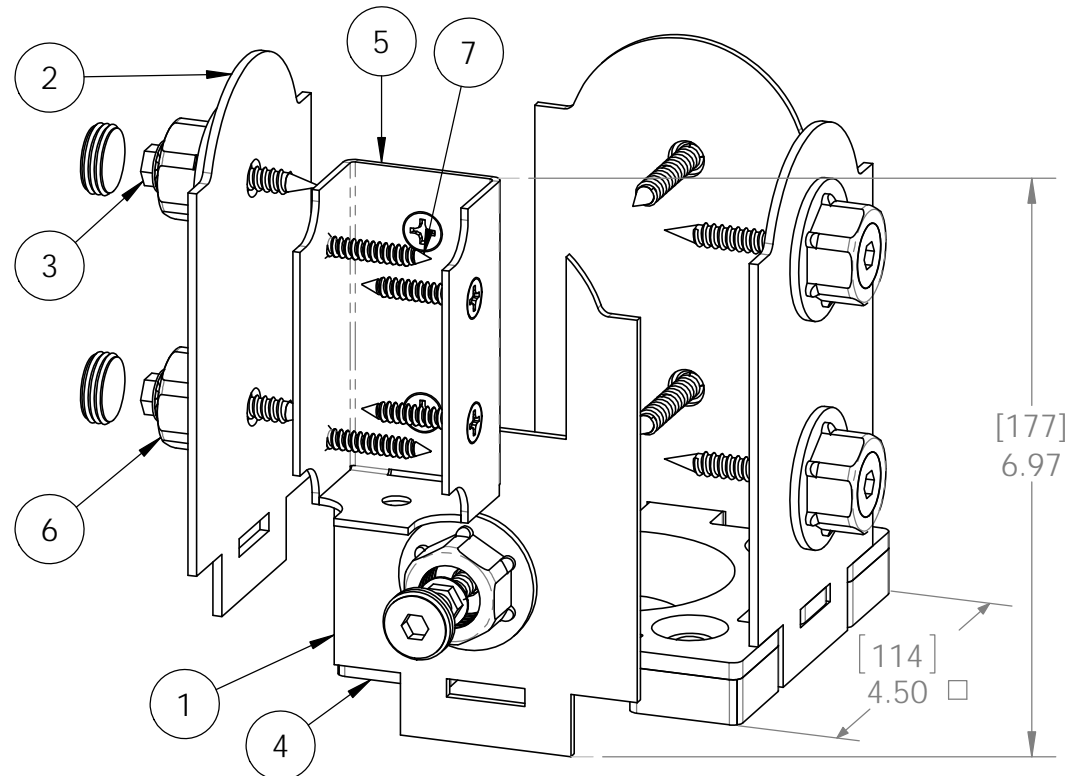
Product & Packaging Specs

Assembly, 4x4 Single Rail Saddle

Item #: 56631



ITEM NO.	QTY.	PART NUMBER	DESCRIPTION
1	1	56630-11	Plate, 4x4 Rail Saddle
2	3	56607-15	Plate, 4x4 Side Compression
3	7	56625	OWT Timber Screw 1-3/4"
4	1	56607-11	Assembly, 4x4 Stand Off
5	1	56641-12	Bracket, 2x4 Top Rail Saddle
6	7	56621	1 1/2" Hex Cap Nut
7	6	80014	Screw, FHP #12 X 1.25", Black



Weight: 3.76 LBS
 Scale: 1:2
 Last updated: 7/14/2015

56631-10

V1.00 - Installation Instructions effective May 1, 2015 and reflects information that available as of April 10, 2014. This information is updated periodically and should not be relied upon after May 1, 2015. Please visit www.OZCOBP.com to get current information

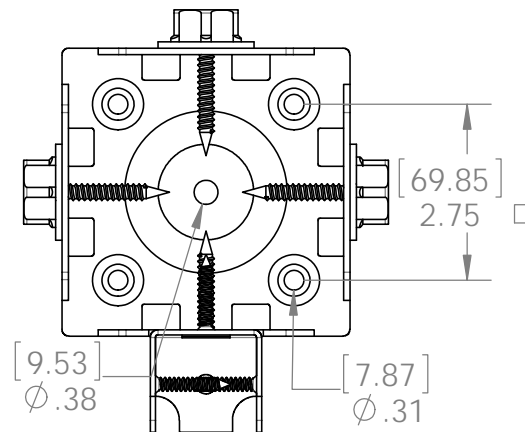
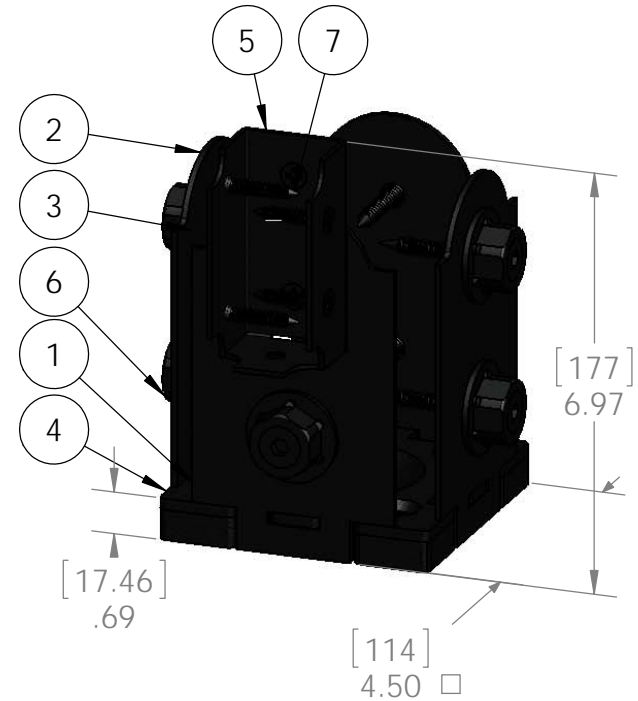
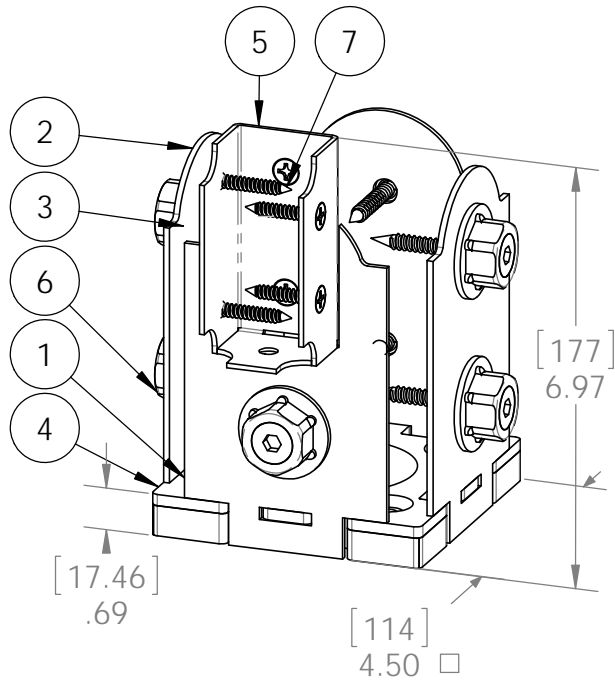


OZCO BUILDING PRODUCTS

Product & Packaging Specs

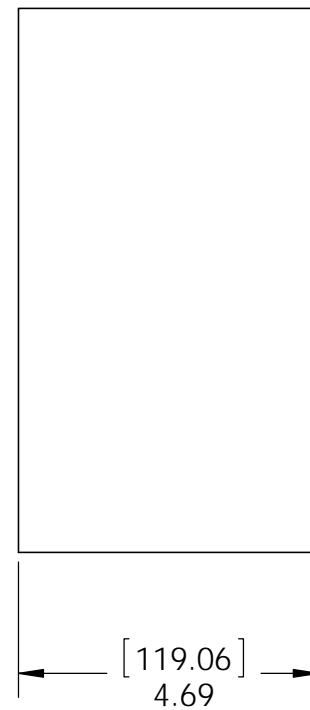
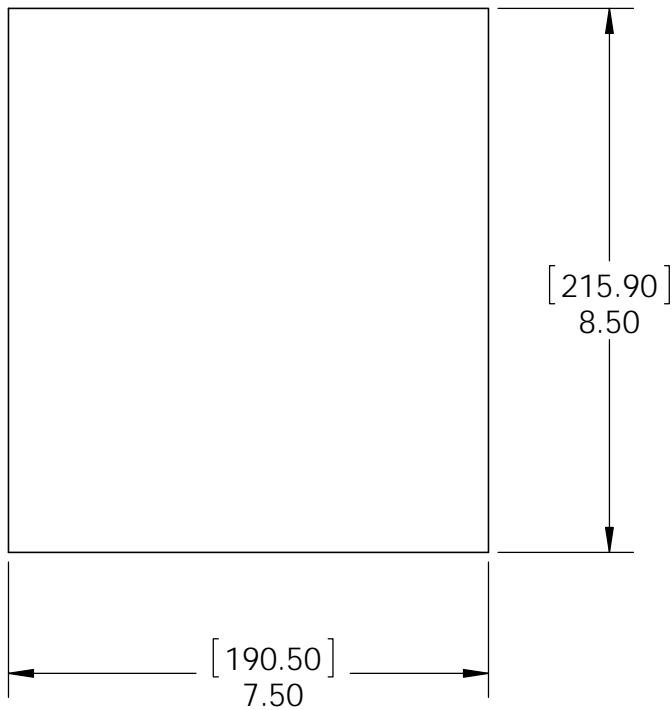
Assembly, 4x4 Single Rail Saddle

Item #: 56631



Weight: 3.76 LBS
 Scale: 1:3
 Last updated: 7/14/2015

56631-10



Material: Corrugated Paper
 Finish: See Artwork
 Weight: 0.12 LBS
 Scale: 1:3
 Last updated: 7/14/2015

56631-10



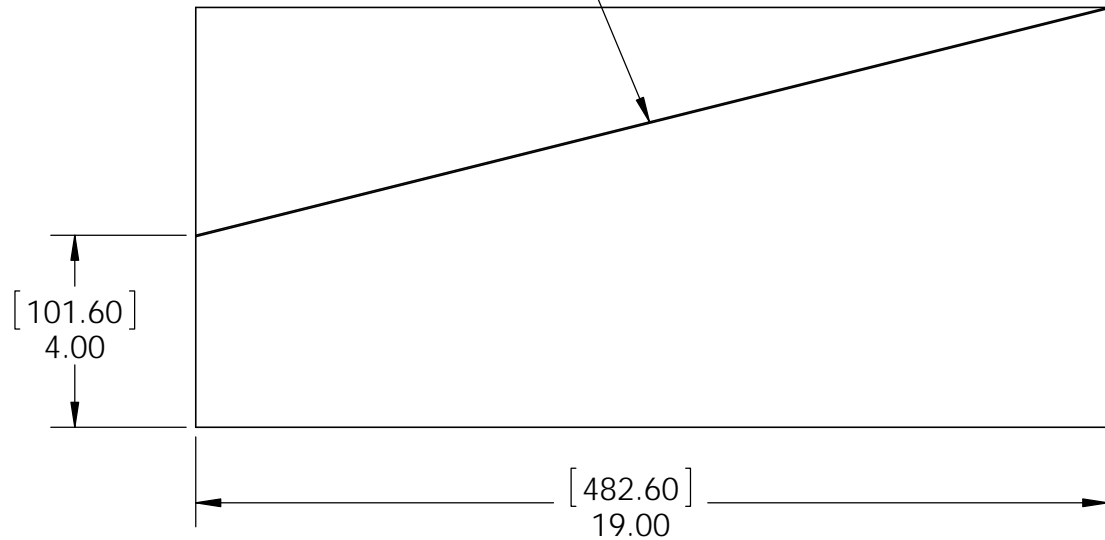
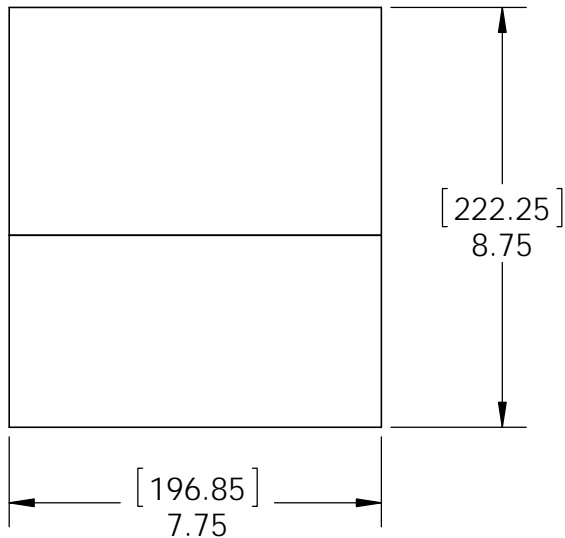
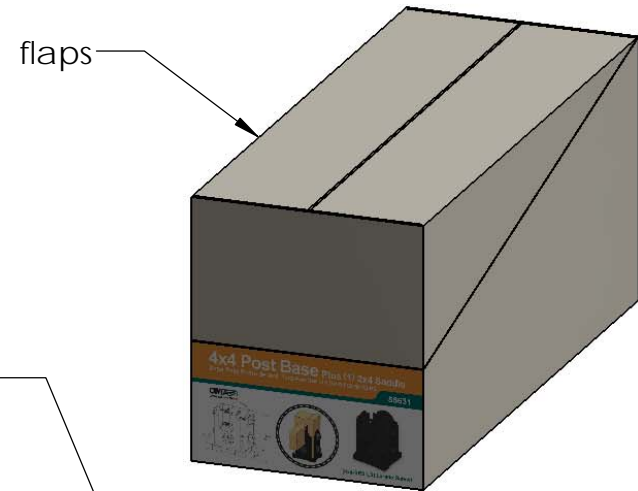
ITEM NO.	QTY.	PART NUMBER	DESCRIPTION
1	1	Insert, Rail Saddle	Insert, Rail Saddle
2	1	Insert, Rail Saddle	Insert, Rail Saddle
3	1	Box, 56631	Box, 56630

Weight: 4.51 LBS
 Scale: 1:4
 Last updated: 7/14/2015

Product & Packaging Specs

Case, Rail Saddle

Item #: Case



Material: Corrugated Paper
 Finish: See Artwork
 Weight: 0.22 LBS
 Scale: 1:4
 Last updated: 7/14/2015

56631-10

Product & Packaging Specs

56631 Packing

Item #: Case packing



Weight: 19.20 LBS
 Scale: 1:3
 Last updated: 7/14/2015

56631-10



OZCO BUILDING PRODUCTS

Product & Packaging Specs

56631 Packing

Item #: Pallet packing

Item #: **56631** | **4x4-SRS-LS**

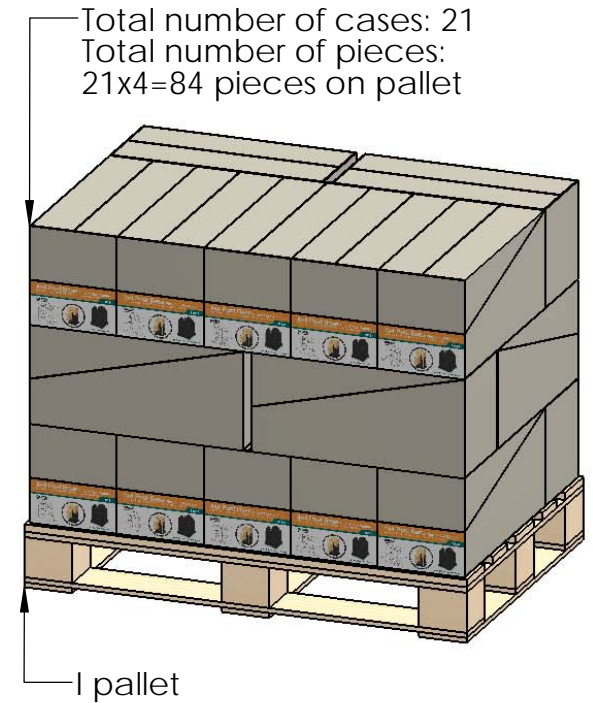
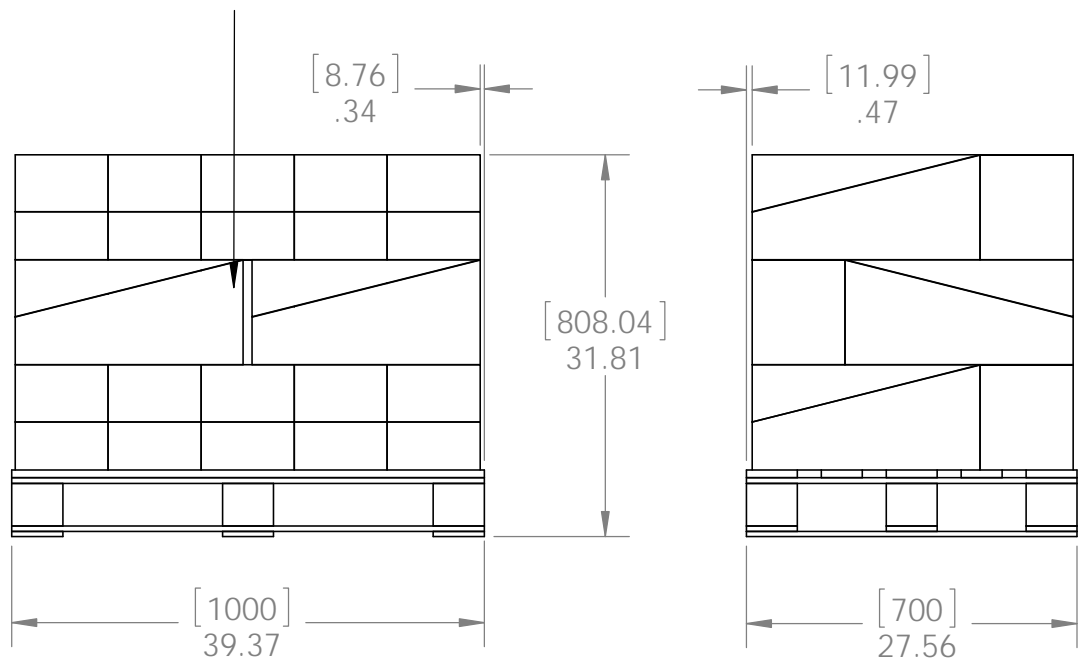
4x4 Post Base Plus (2) 2x4 Saddles

PALLET | **84 pcs**

SKU#: **56831** 

Weight: 429 lbs

LOT# _____ Priority# _____ 



additional pallet packing instructions

- plywood on top layer
- strap to pallet
- clear wrap around boxes

Weight: 429 LBS
Scale: 1:16
Last updated: 7/14/2015

56631-10