

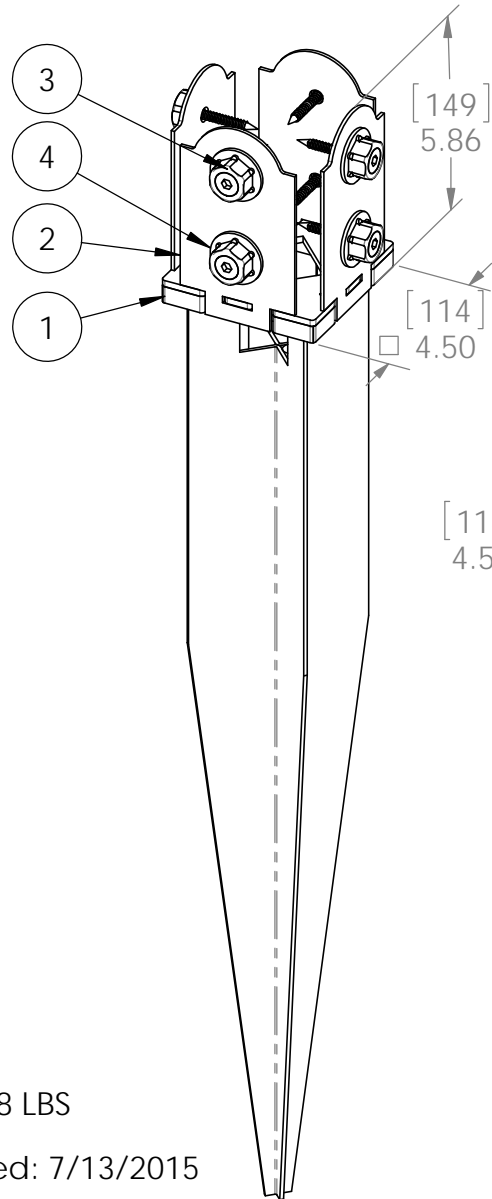


OZCO BUILDING PRODUCTS

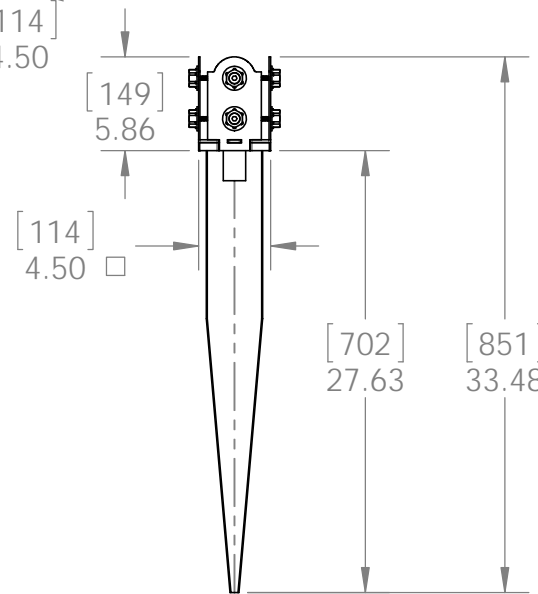
# Product & Packaging Specs

## 4x4 Post Anchor

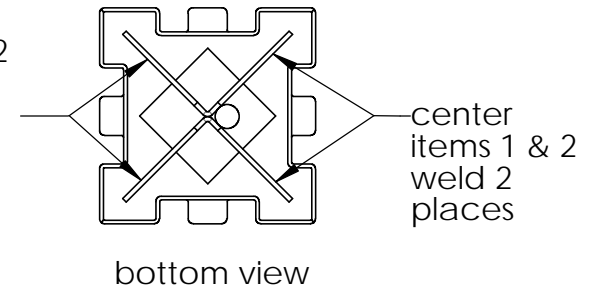
Item #: 56632



ITEM NO.	QTY.	PART NUMBER	DESCRIPTION
1	1	56632-11	4x4 Post Base for Post Anchor-LS
2	4	56607-15	Plate, 4x4 Side Compression
3	8	56625	OWT Timber Screw 1-3/4"
4	8	56621	1 1/2" Hex Cap Nut

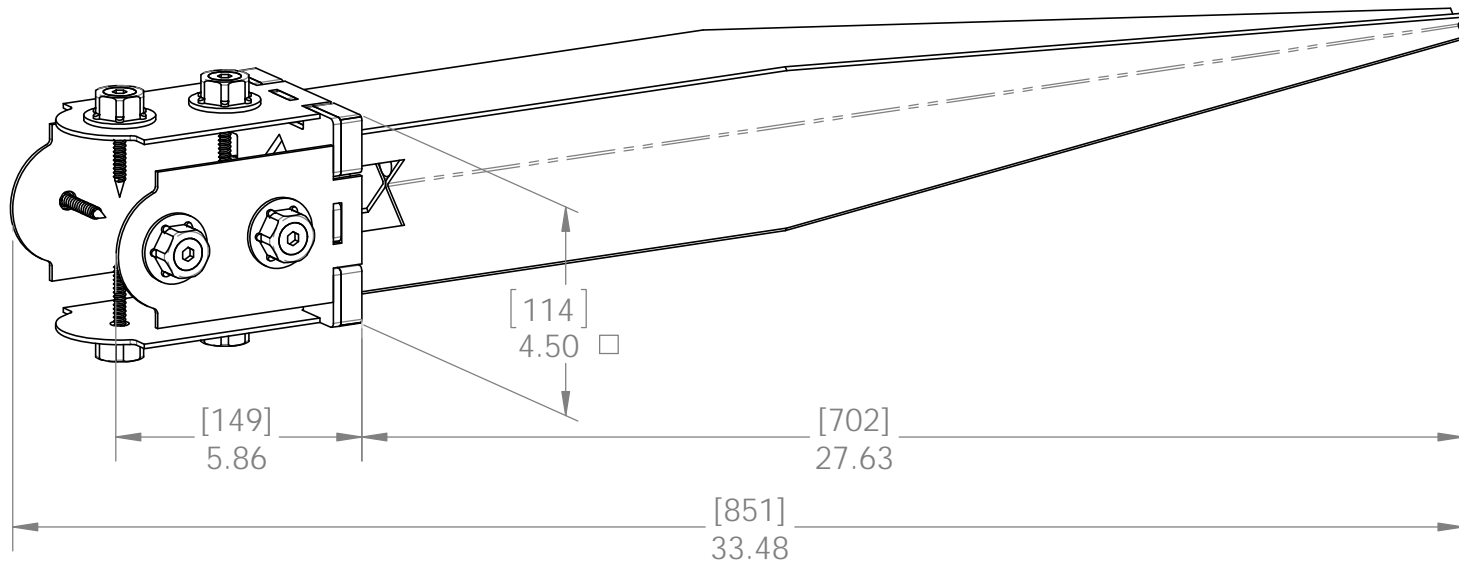


center items 1 & 2  
weld 2 places



Weight: 6.48 LBS  
Scale: 1:5  
Last updated: 7/13/2015

56632-10

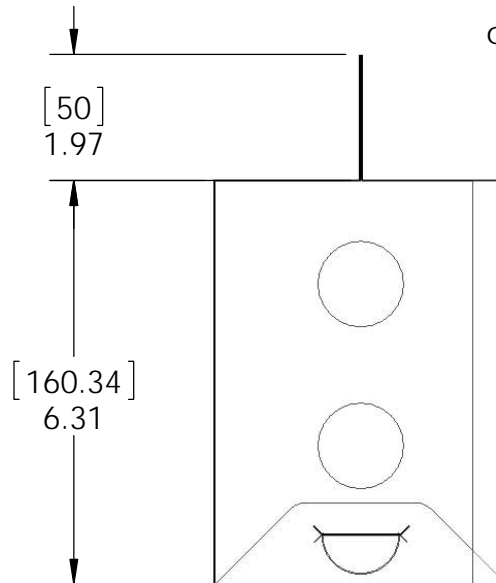
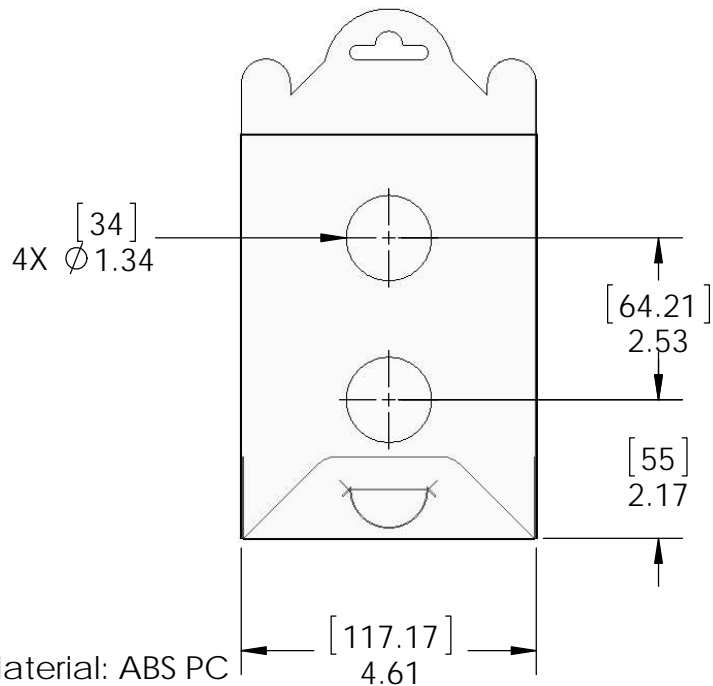
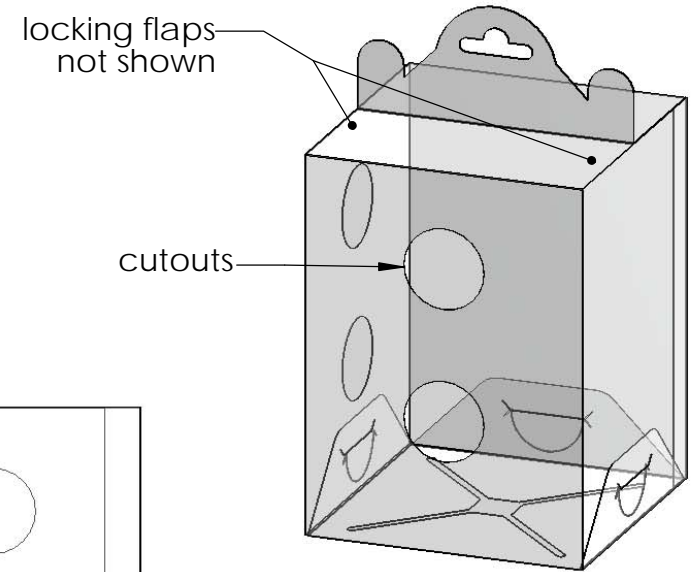
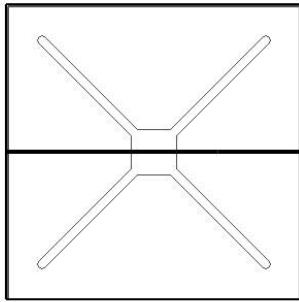


Weight: 6.48 LBS  
 Scale: 1:4  
 Last updated: 7/13/2015

# Product & Packaging Specs

Box, 56632

Item #: Box

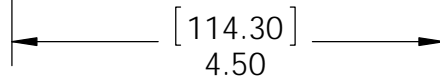
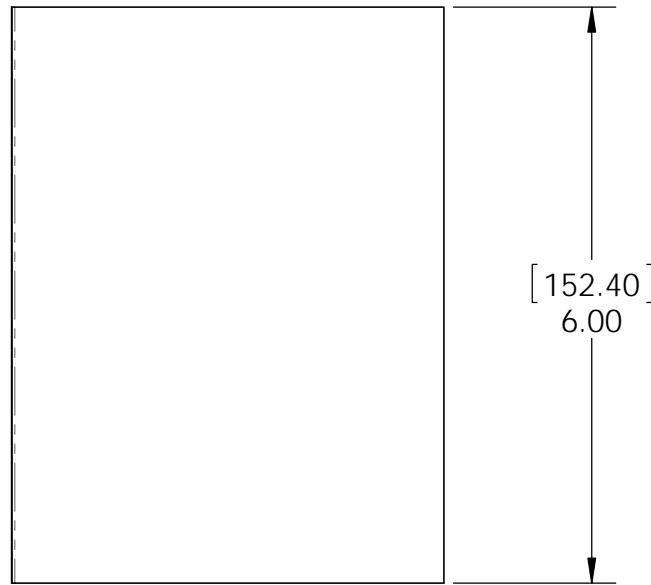
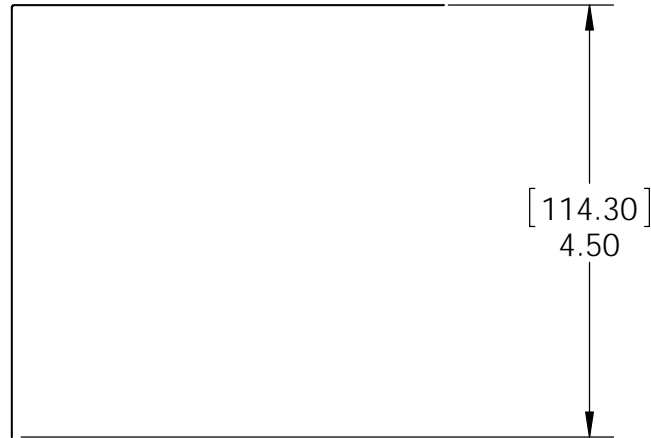


Material: ABS PC  
 Finish: -  
 Weight: 0.11 LBS  
 Scale: 1:3  
 Last updated: 7/13/2015

# Product & Packaging Specs

## Sleeve, 4x4 Post Anchor Box

Item #: Sleeve



fold

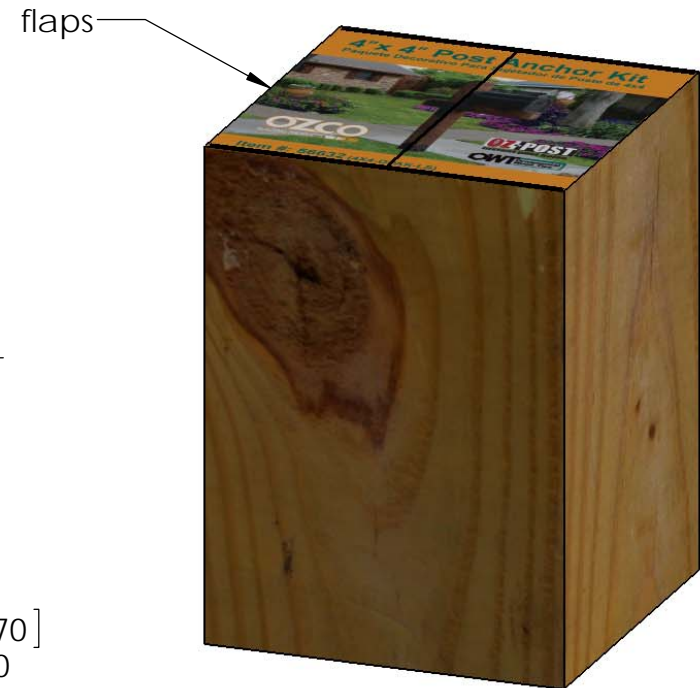
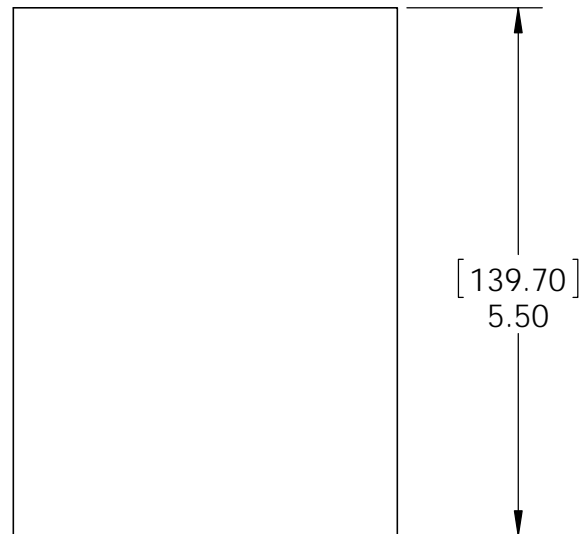
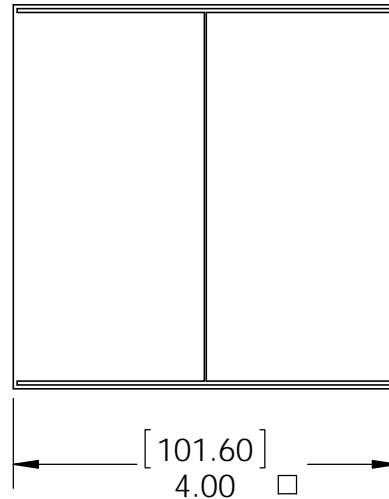
Material: Corrugated Paper  
 Finish: See Artwork  
 Weight: 0.00 LBS  
 Scale: 1:2  
 Last updated: 7/13/2015

56632-10

# Product & Packaging Specs

## Box, 4x4 Post Anchor Interior

Item #: Box



Material: Corrugated Paper  
 Finish: See Artwork  
 Weight: 0.03 LBS  
 Scale: 1:2  
 Last updated: 7/13/2015

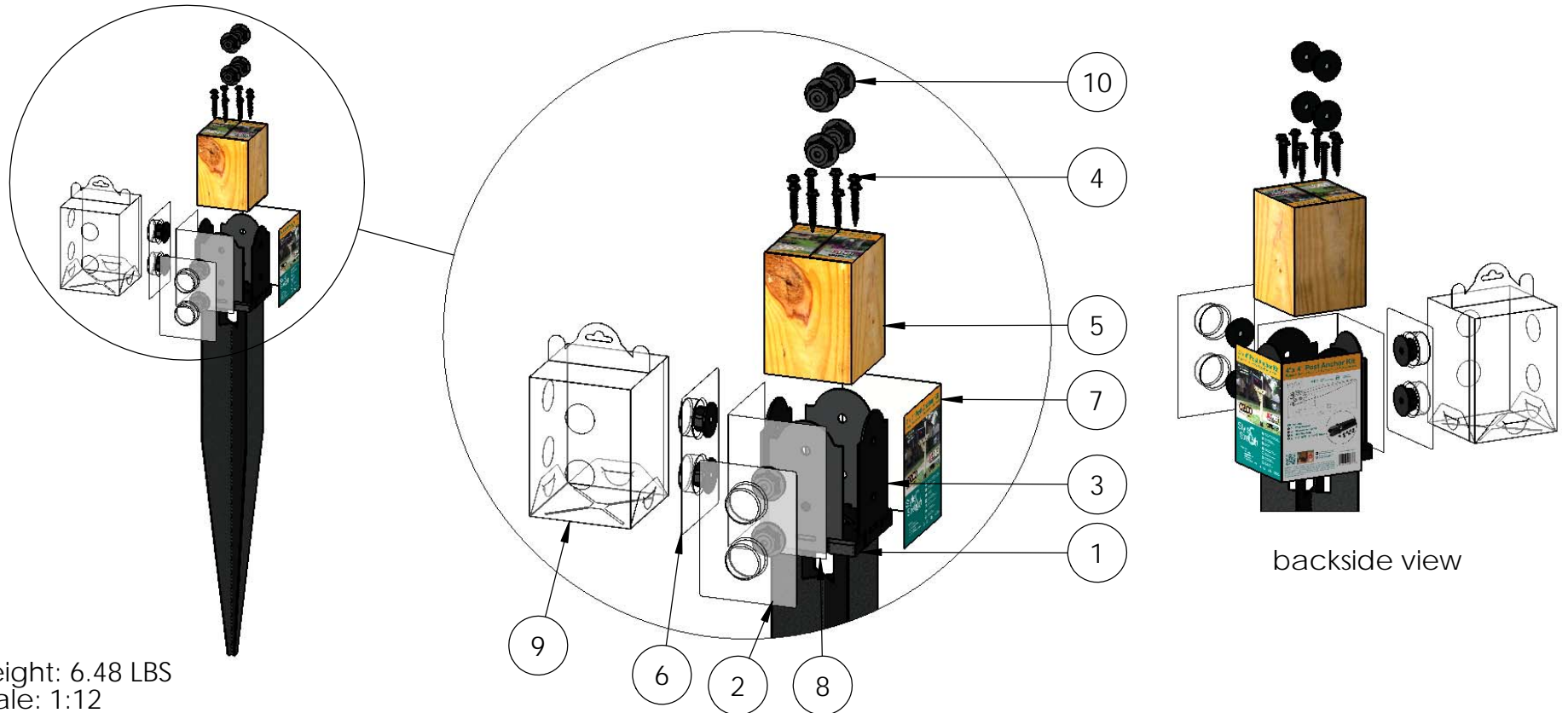
56632-10

# Product & Packaging Specs

## 4x4 Post Anchor

Item #: 56632

ITEM NO.	QTY.	PART NUMBER	DESCRIPTION
1	1	56632-11	4x4 Post Base for Post Anchor-LS
2	1	56632-15	Assembly, Base Anchor
3	4	56607-15	Plate, 4x4 Side Compression
4	8	56625	OWT Timber Screw 1-3/4"
5	1	Box, 4x4 Post Anchor Interior	Box, 4x4 Post Anchor Interior
6	2	Insert, 4x4 Post Anchor Packing	Insert, Packing
7	1	Sleeve, 4x4 Post Anchor	Sleeve, 4x4 Post Anchor Box
8	1	Sleeve, 4x4 Post Anchor, Clear	Sleeve, 4x4 Post Anchor Box, Clear
9	1	56632 Box	Box, 56632
10	8	56621	1 1/2" Hex Cap Nut

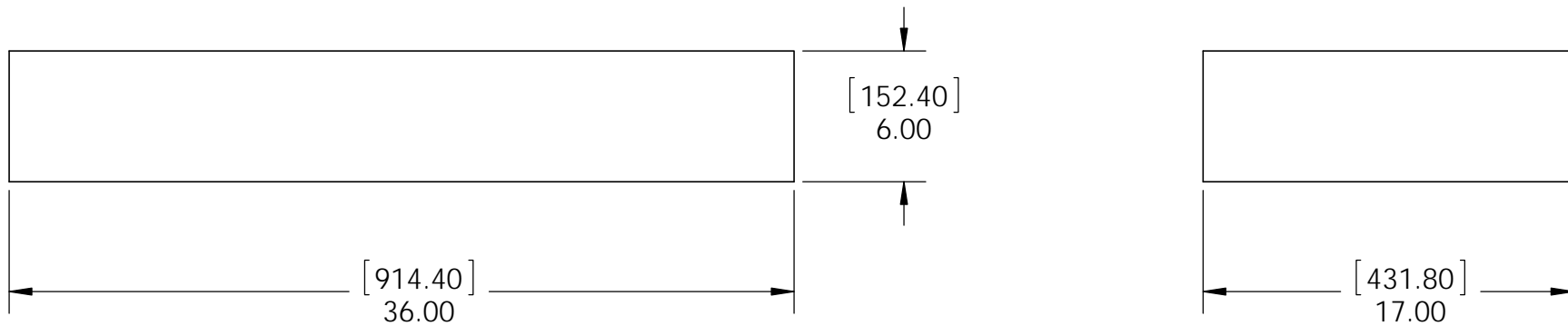
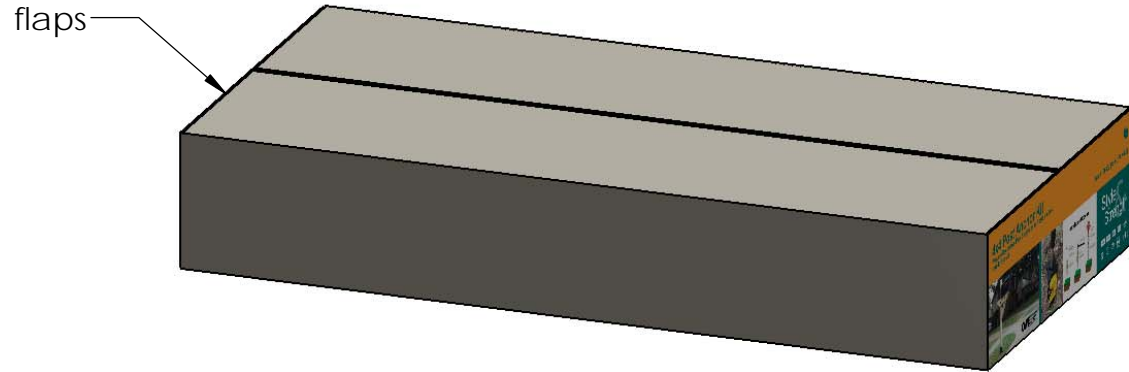


Weight: 6.48 LBS  
 Scale: 1:12  
 Last updated: 7/13/2015

# Product & Packaging Specs

Case, 56632

Item #: Case

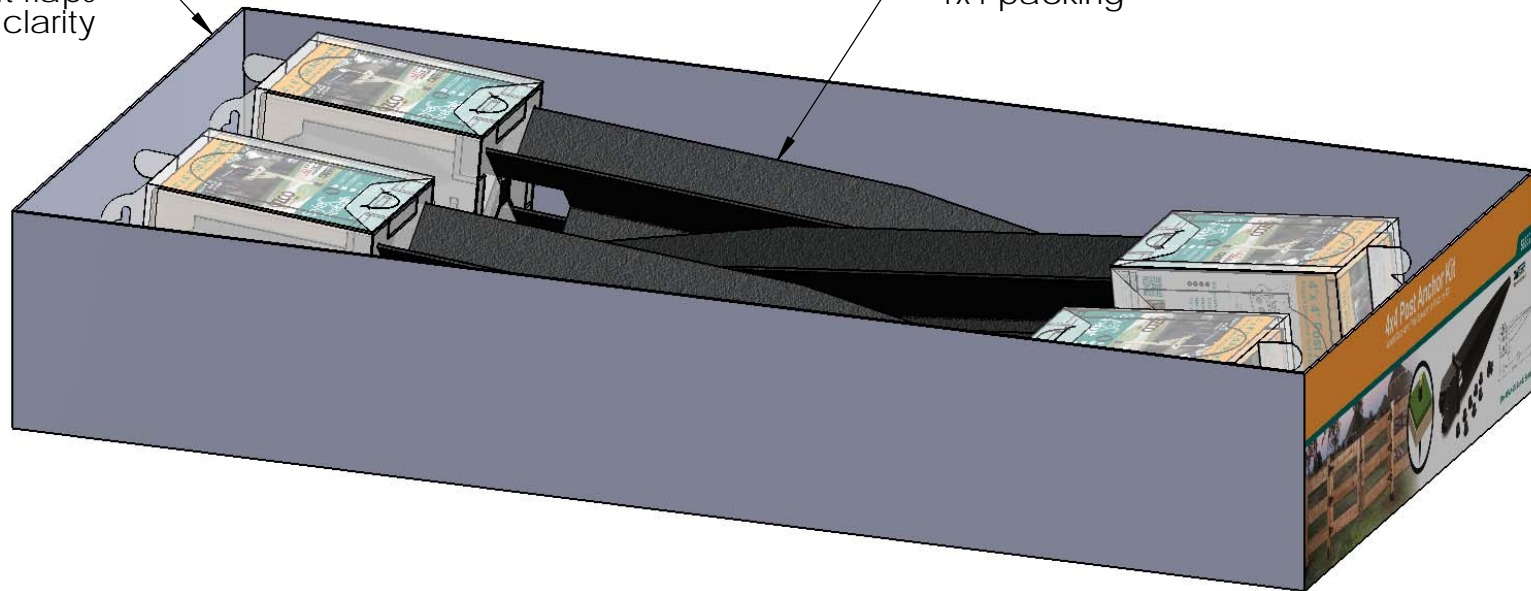


Material: Corrugated Paper  
 Finish: See Artwork  
 Weight: 0.56 LBS  
 Scale: 1:8  
 Last updated: 7/13/2015

56632-10

case shown  
without flaps  
for clarity

1x4 packing



Weight: 39.55 LBS  
Scale: 1:5  
Last updated: 7/13/2015

56632-10

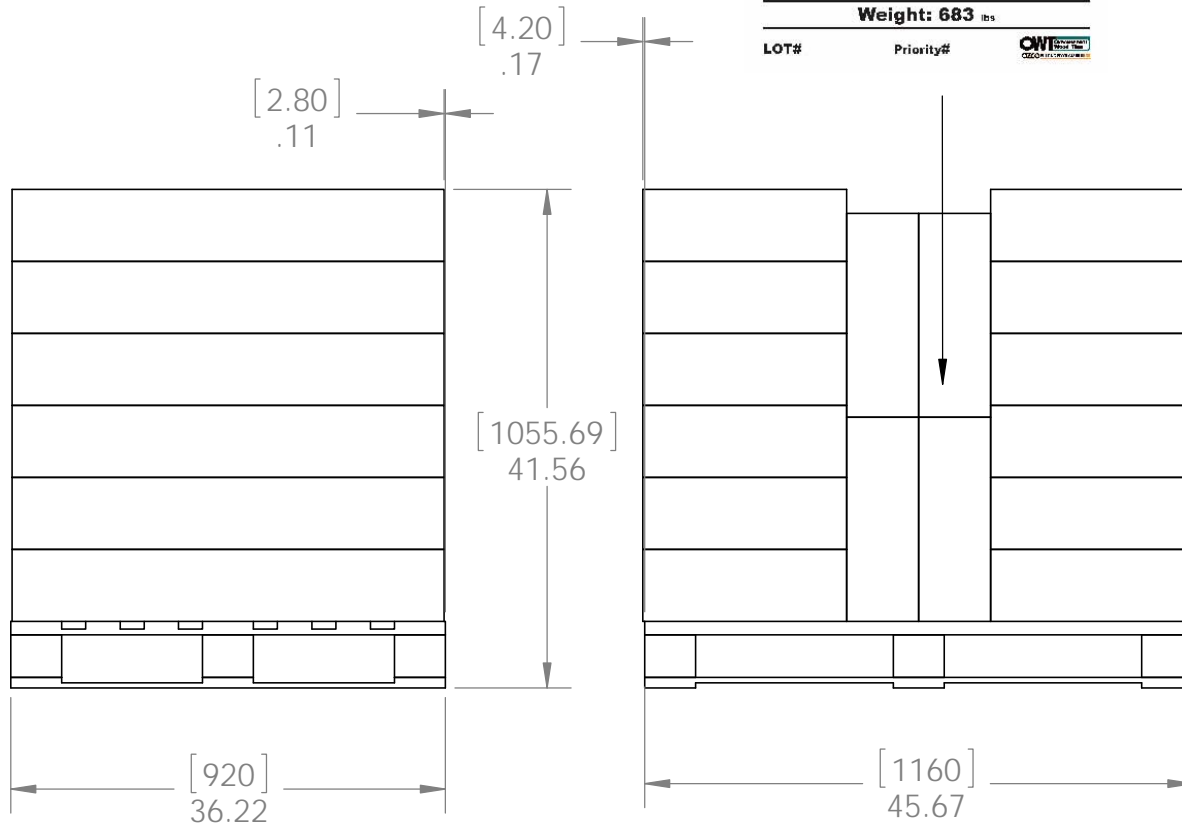


# Product & Packaging Specs

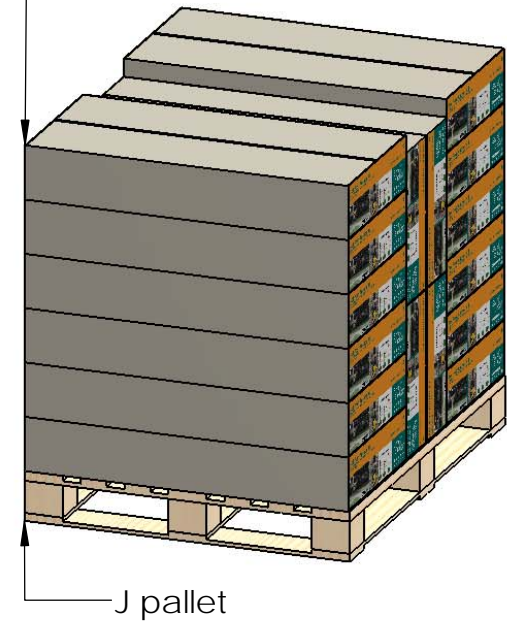
## 56632 Packing

Item #: Pallet packing

Item #: **56632** | **4x4-OPAK-LS**  
**4x4 Ornamental Post Anchor LS**  
**PALLET** | **64 pcs**  
**SKU#: 56832**   
**Weight: 683 lbs**  
 LOT# Priority# 



Total number of cases: 16  
 Total number of pieces:  
 16x4=64 pieces on pallet



Weight: 683 LBS  
 Scale: 1:16  
 Last updated: 7/13/2015

56632-10

additional pallet packing instructions

- plywood on top layer
- strap to pallet
- clear wrap around boxes