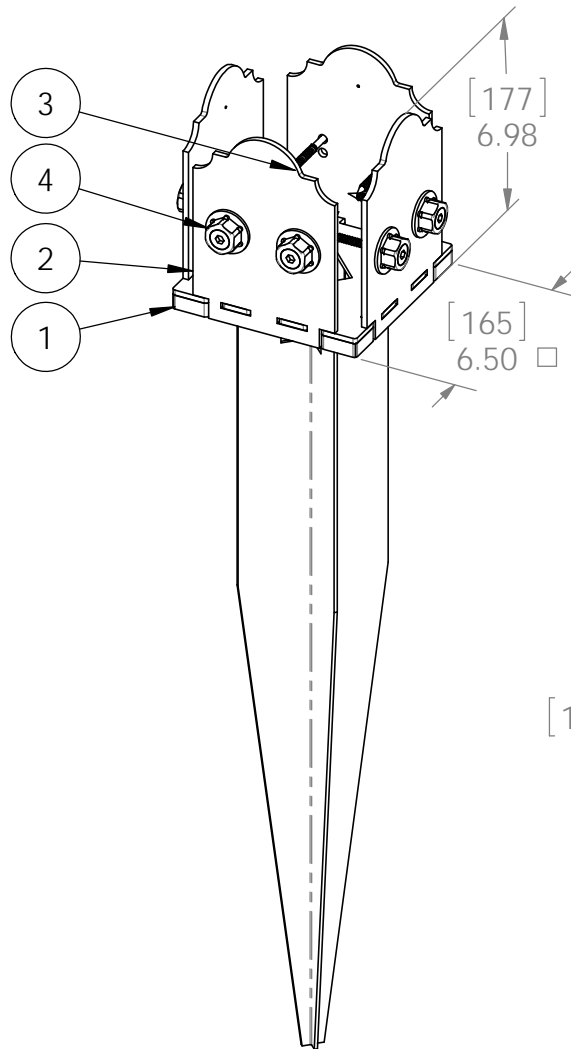


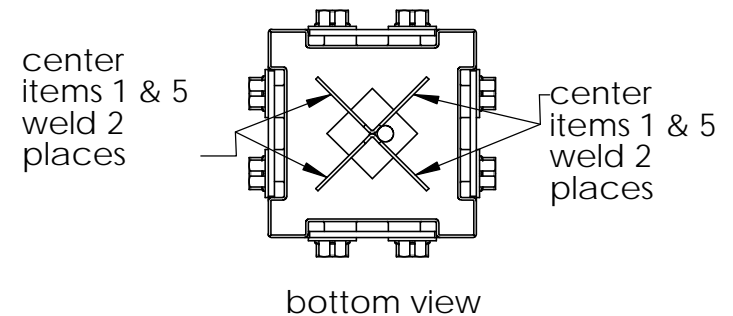
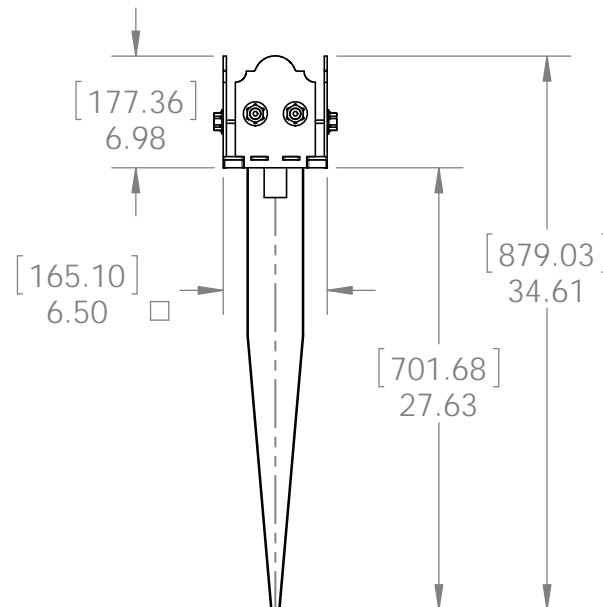
Product & Packaging Specs

Assembly, 6x6 Post Anchor

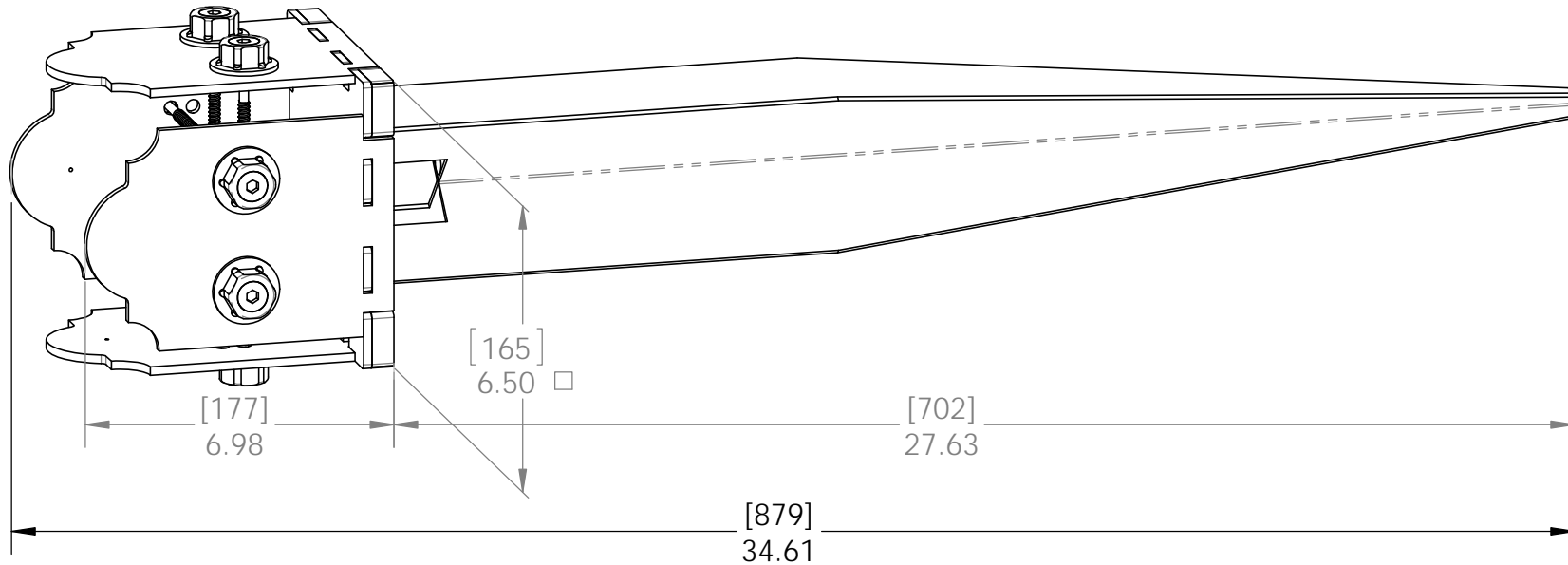
Item #: 56633



ITEM NO.	QTY.	PART NUMBER	DESCRIPTION
1	1	56633-11	6x6 Post Base for Post Anchor-LS
2	4	56608-15	Plate, 6x6 Side Compression
3	0.32	56626	OWT Timber Screw 2-3/4"
4	8	56621	1 1/2" Hex Cap Nut



Weight: 14.58 LBS
Scale: 1:5
Last updated: 7/13/2015



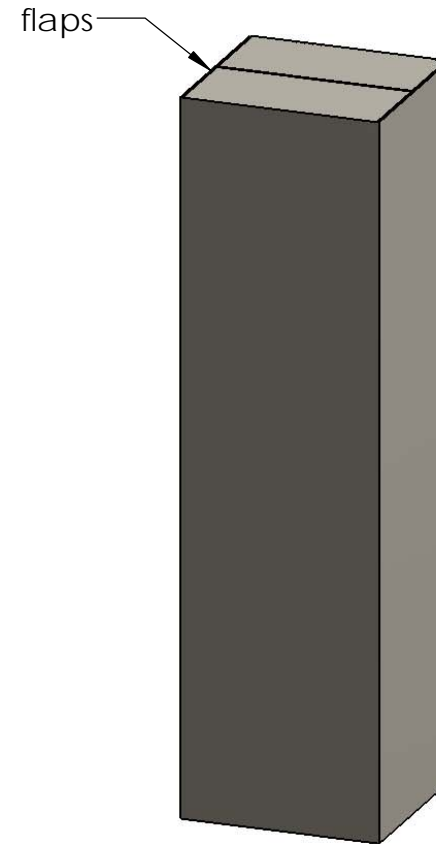
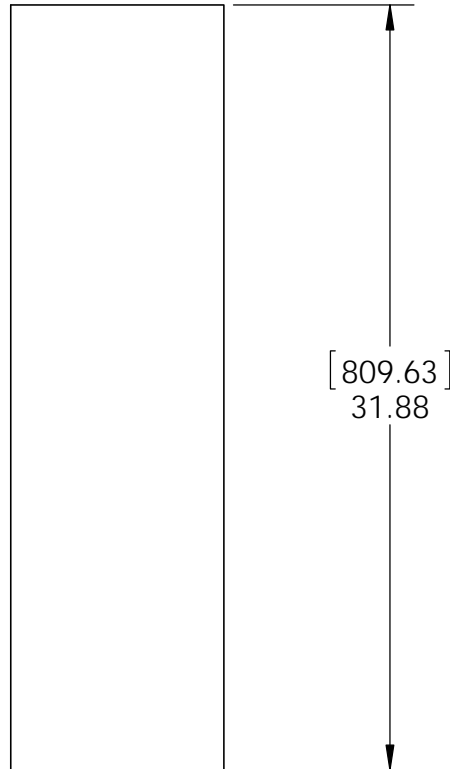
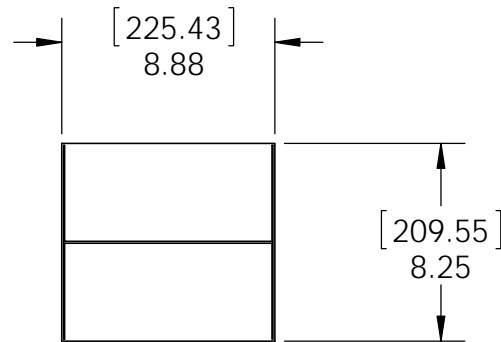
Weight: 14.58 LBS
Scale: 1:4
Last updated: 7/13/2015



Product & Packaging Specs

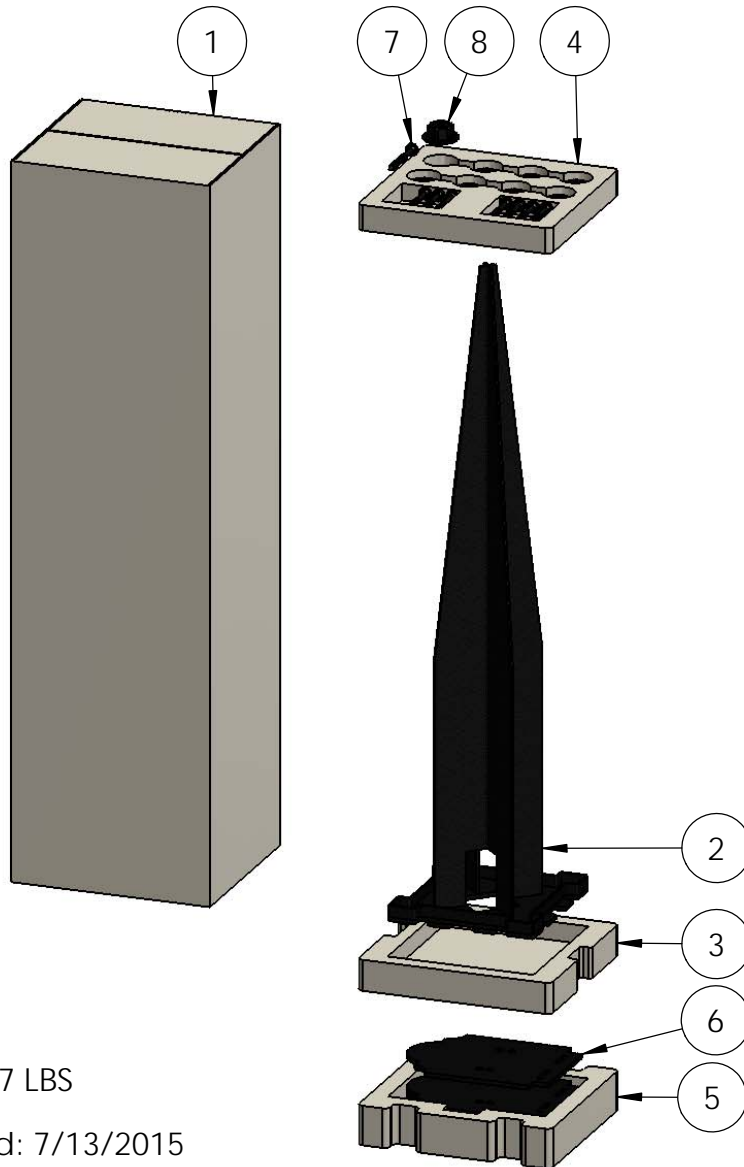
Box, 56634 packing

Item #: Box



Material: Corrugated Paper
 Finish: See Artwork
 Weight: 0.55 LBS
 Scale: 1:8
 Last updated: 7/13/2015

56633-10



ITEM NO.	QTY.	PART NUMBER	DESCRIPTION
1	1	Box, 56633 packing	Box, 56634 packing
2	1	56633-10	Assembly, 6x6 Post Anchor
3	1	6x6 post base box insert packing	6x6 Base Box Insert
4	1	6x6 post base box insert packing	6x6 Fastener Box Insert
5	1	6x6 post base box insert packing	6x6 Plate Box Insert
6	4	56608-15	Plate, 6x6 Side Compression
7	0.32	56626	OWT Timber Screw 2-3/4"
8	8	56621	1 1/2" Hex Cap Nut

items not shown:

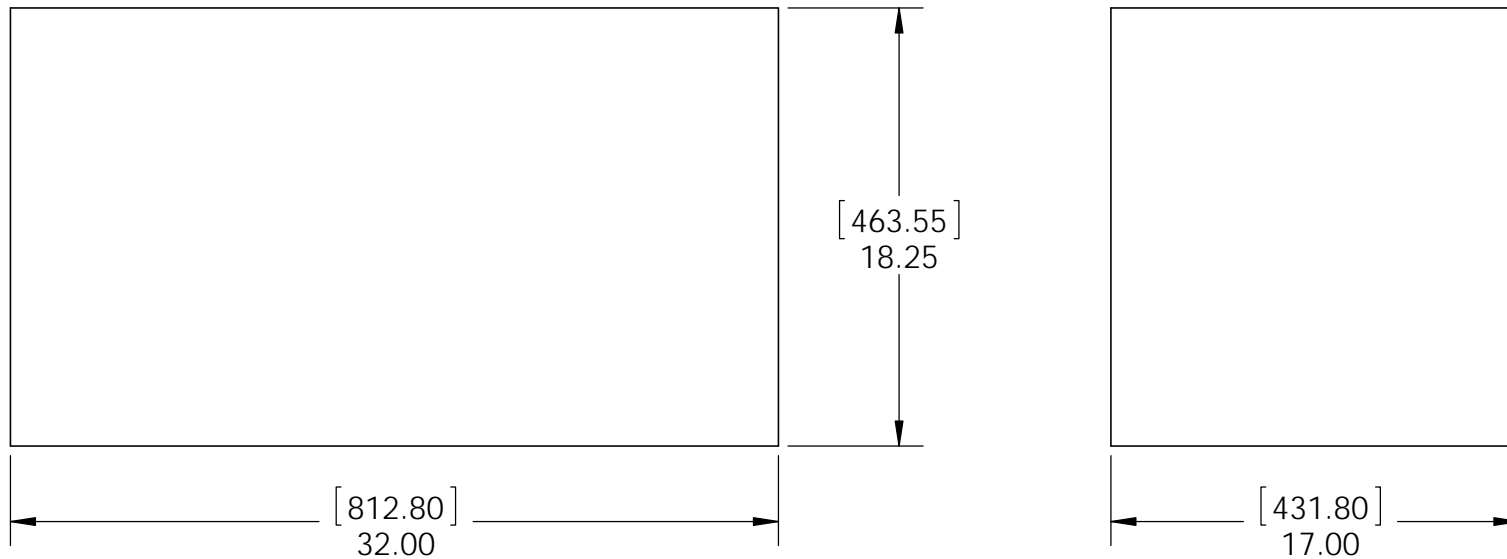
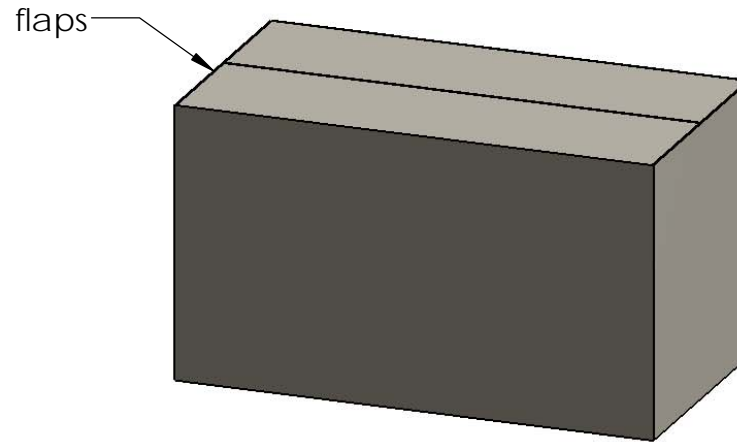
- installation instructions
- plates wrapped in packing foam sheet

Weight: 16.27 LBS
 Scale: 1:8
 Last updated: 7/13/2015

Product & Packaging Specs

Case, 56634

Item #: Case



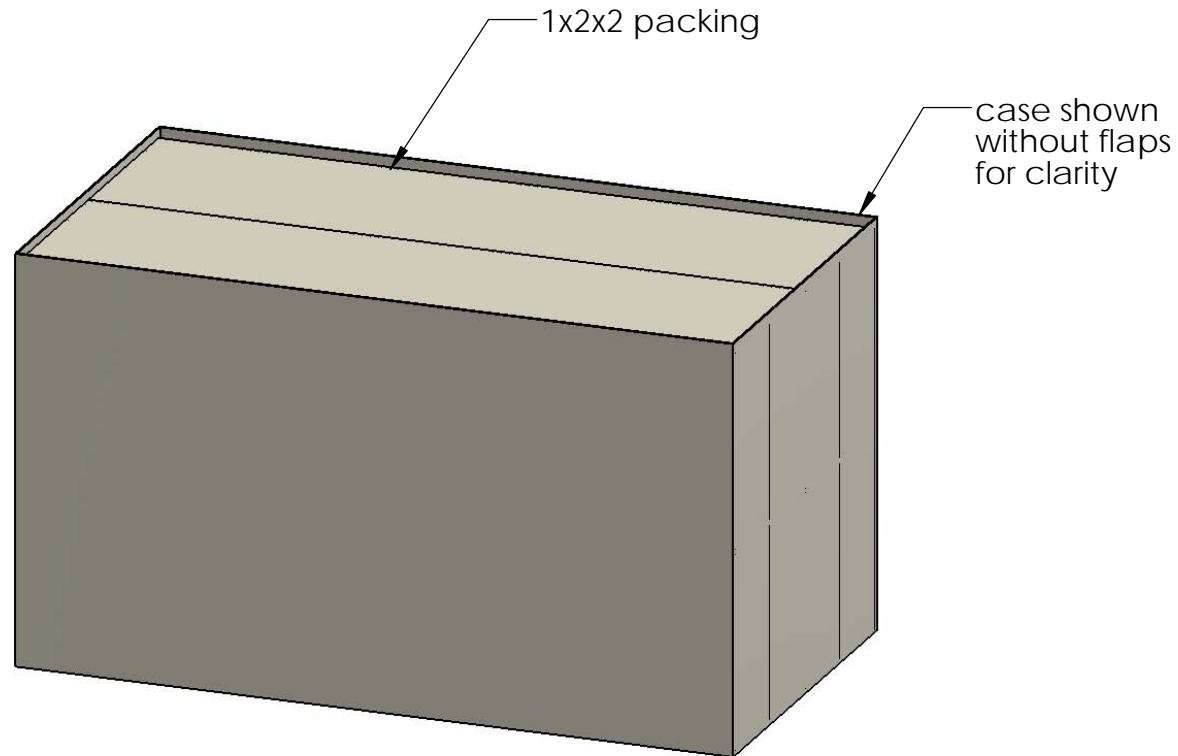
Material: Corrugated Paper
Finish: See Artwork
Weight: 1.05 LBS
Scale: 1:8
Last updated: 7/13/2015

56633-10

Product & Packaging Specs

56633 Packing

Item #: Case packing



Weight: 64.94 LBS
Scale: 1:8
Last updated: 7/13/2015

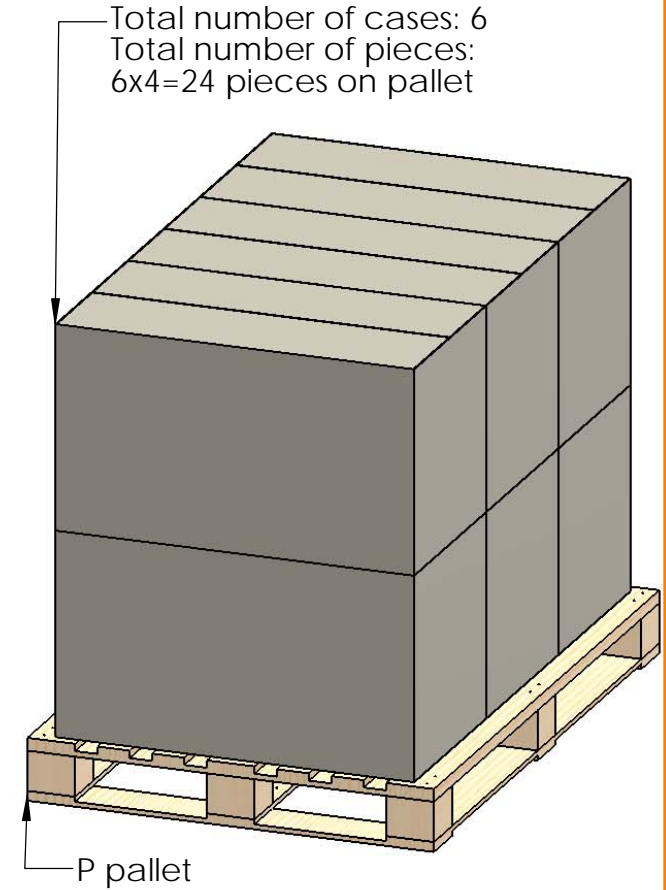
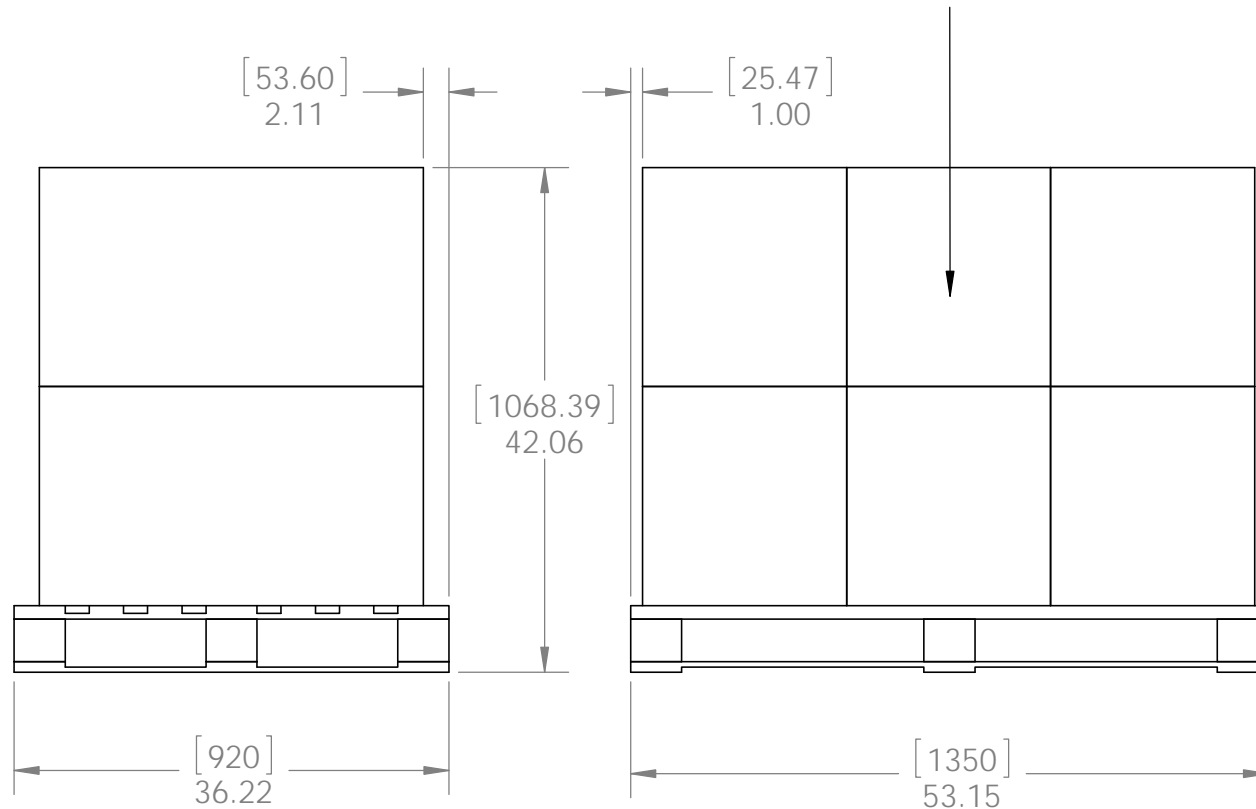
56633-10

Product & Packaging Specs

56633 Packing

Item #: Pallet packing

Item #: **56633** | **6x6-OPAK-LS**
6x6 Ornamental Post Anchor LS
PALLET | **24 pcs**
SKU#: 56833 
Weight: 425 lbs
 LOT# _____ Priority# _____ 



Weight: 425 LBS
 Scale: 1:16
 Last updated: 7/13/2015

additional pallet packing instructions

- plywood on top layer
- strap to pallet
- clear wrap around boxes