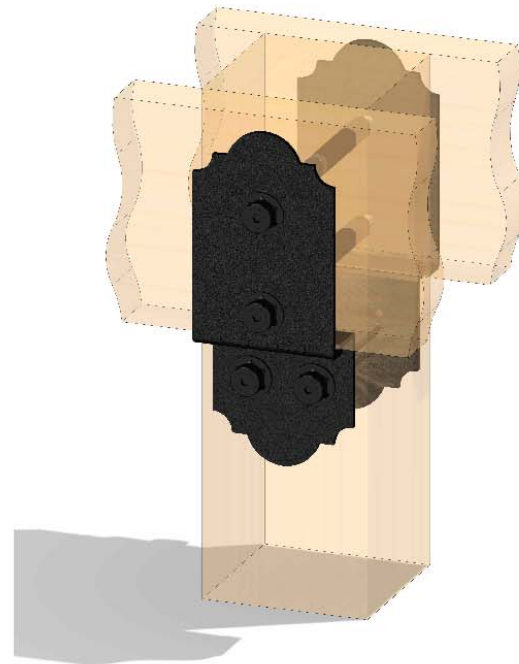
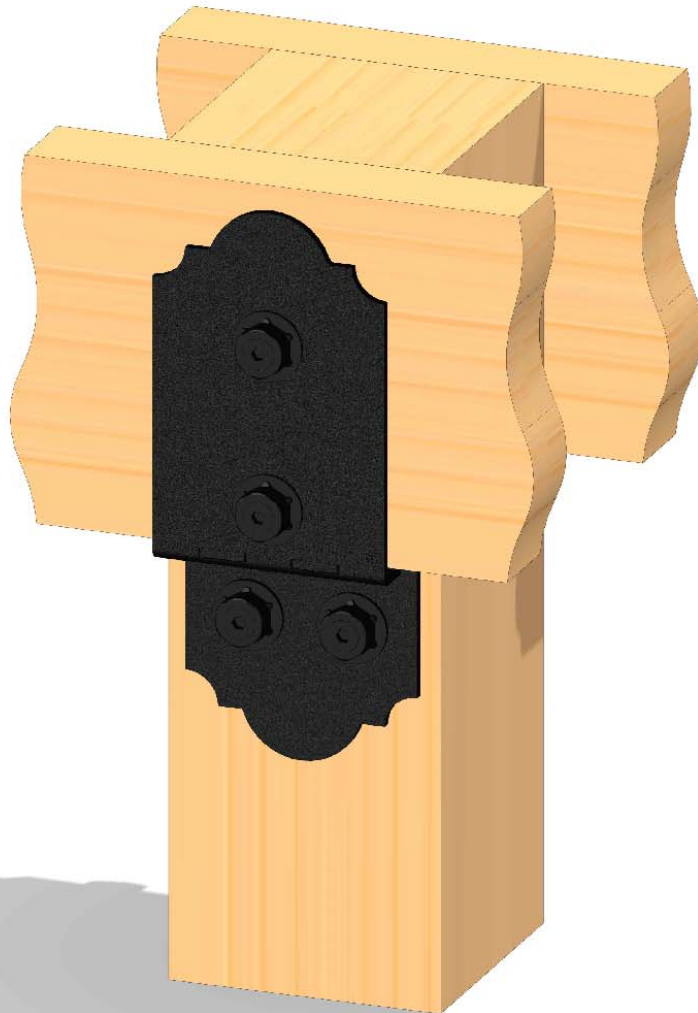


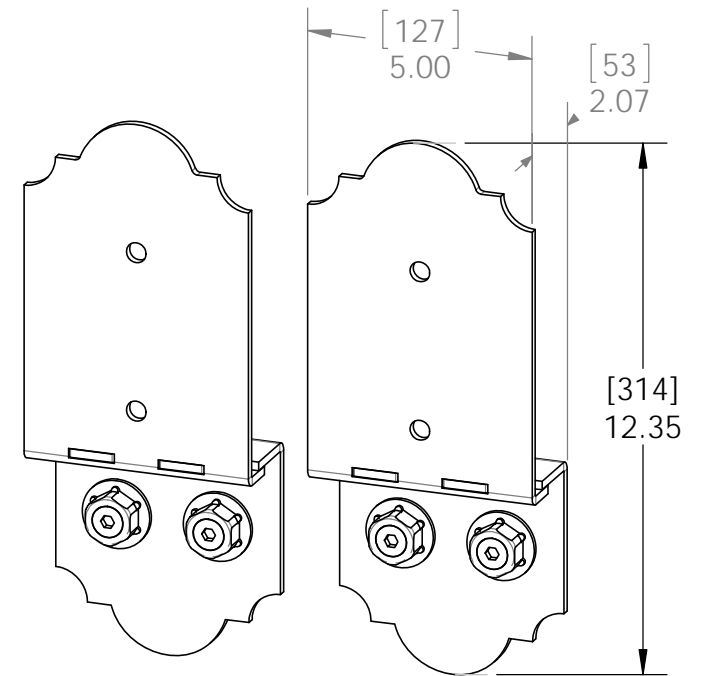
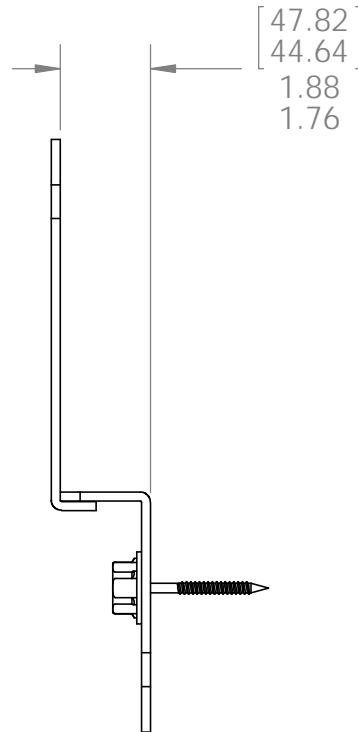
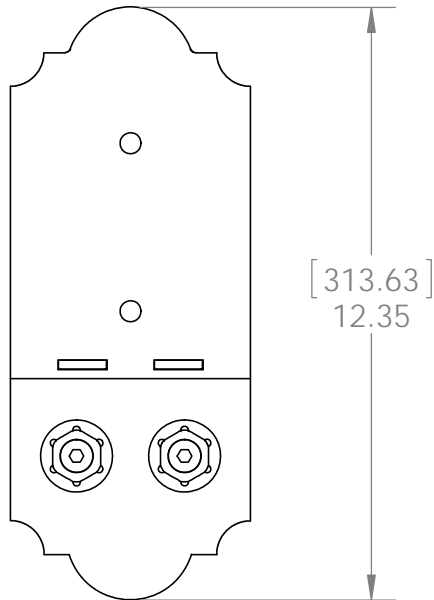
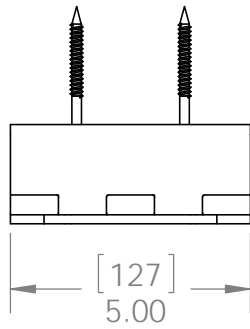
Installation Instructions, 56637



Post to Beam shown assembled with OWT Timber Bolts (sold separately)

OWT Timber Bolts come in 4 adjustable length to suit your application

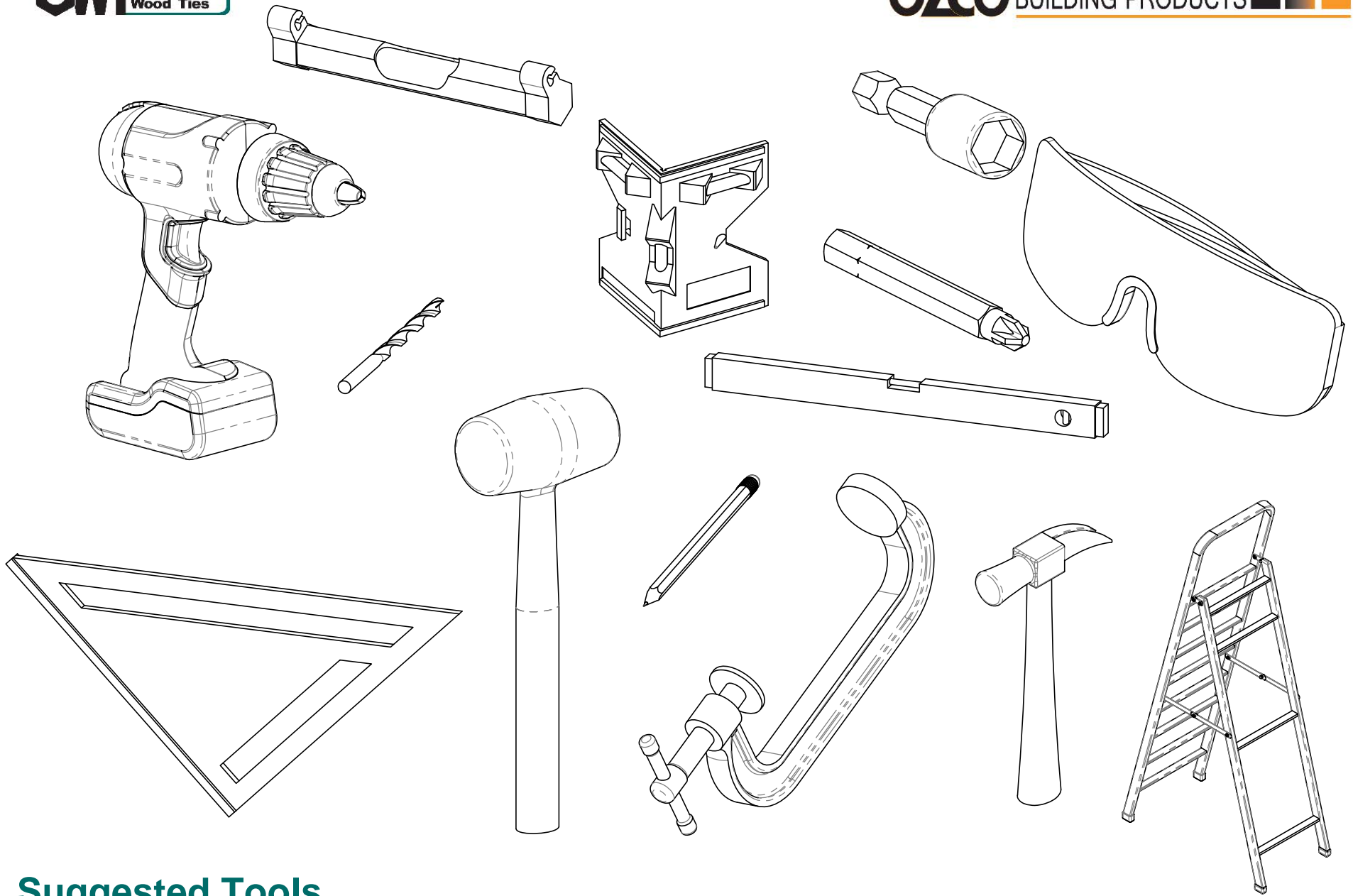




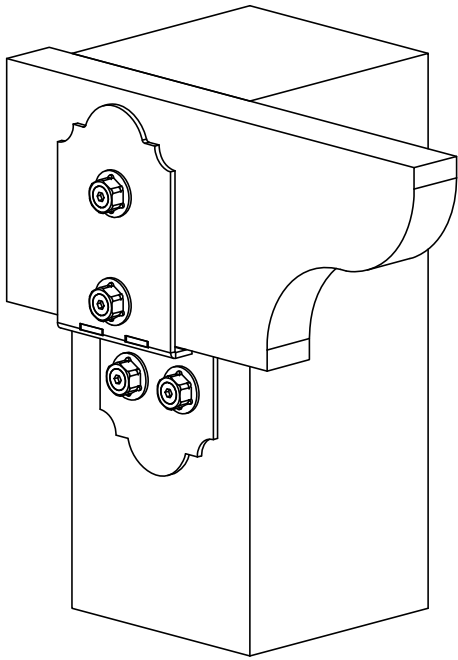
kit contains 2 identical assemblies

56637

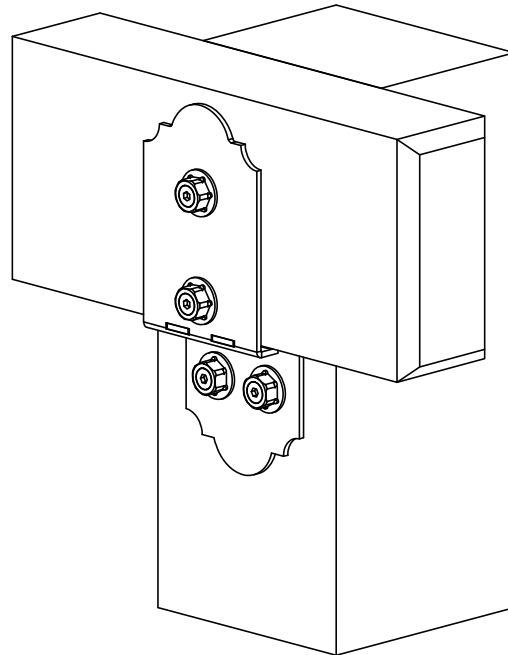
Installation Instructions, 56637



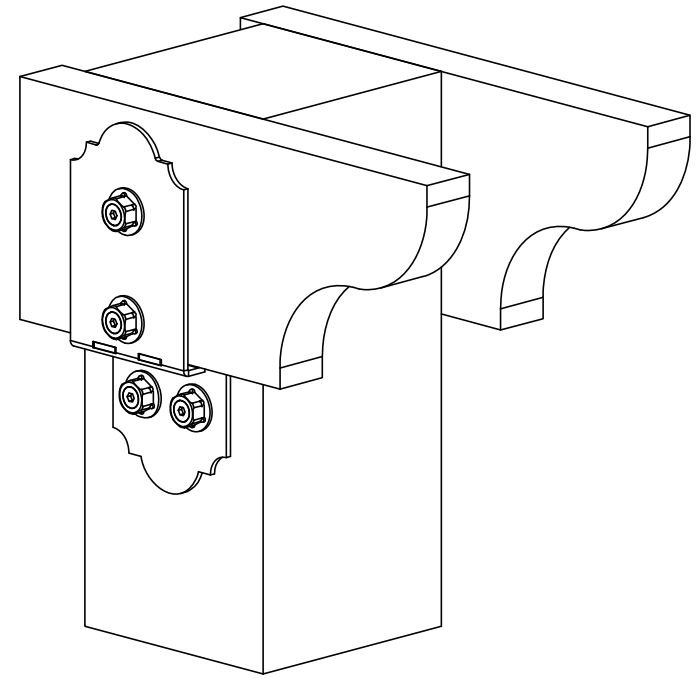
Suggested Tools
(others may be required)
Installation Instructions, 56637



One 2x8 Beam

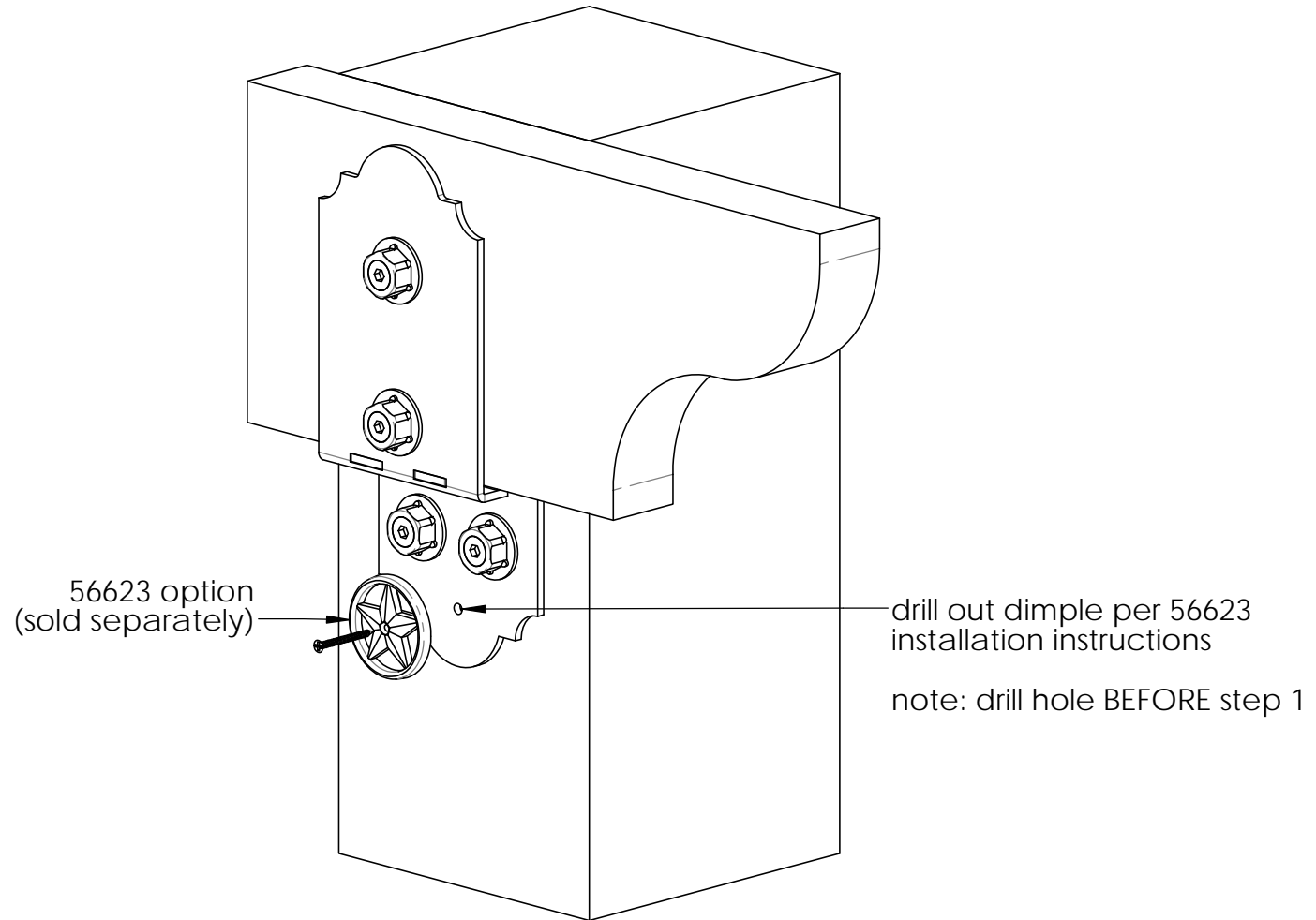


One 4x8 Beam
(requires dato cut to post)



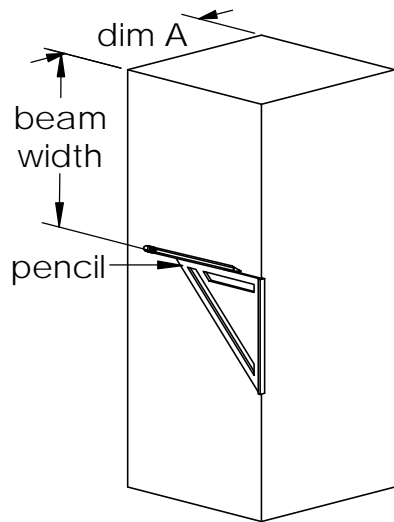
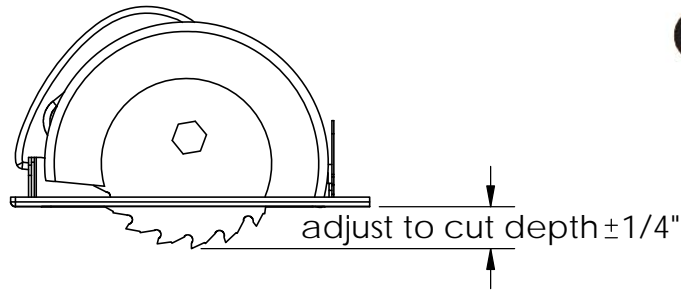
Two 2x8 Beams

installation options

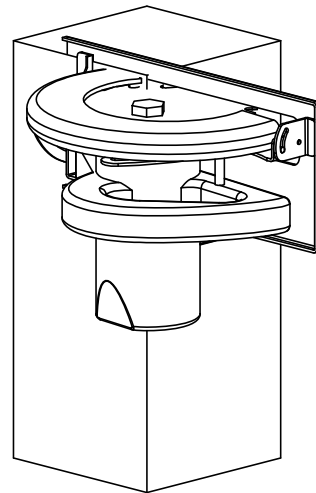


optional accessory

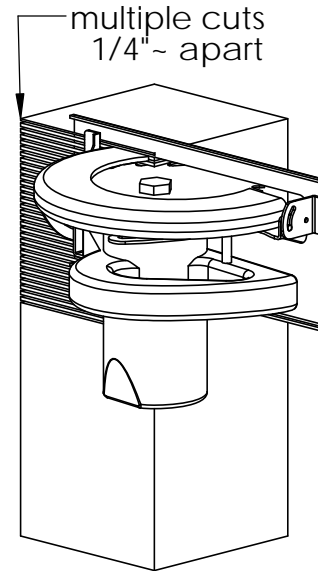
Installation Instructions, 56637



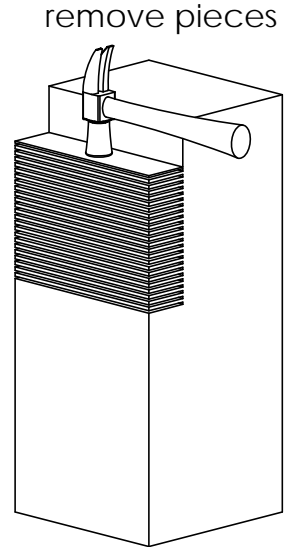
A



B



C

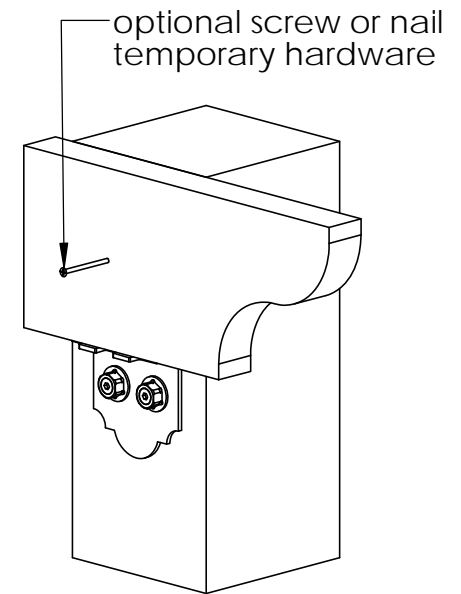
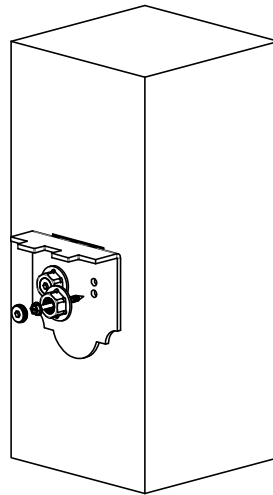
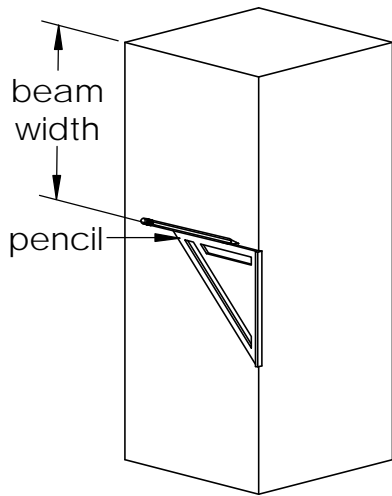
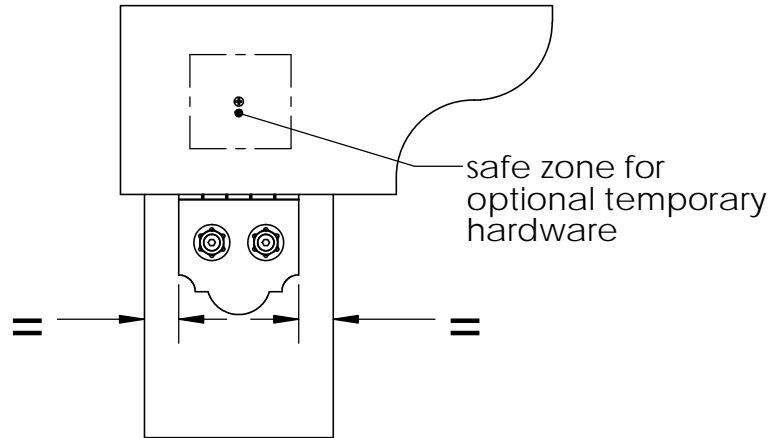
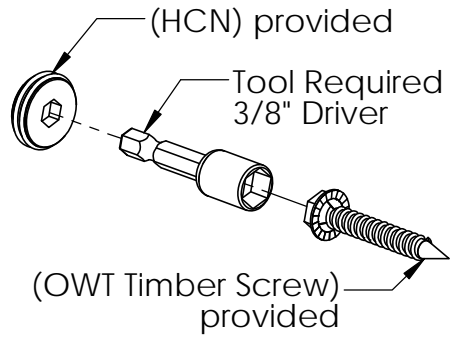


D

dim A	ledge	cut depth
	1.75	dim A-ledge=

4x8 only

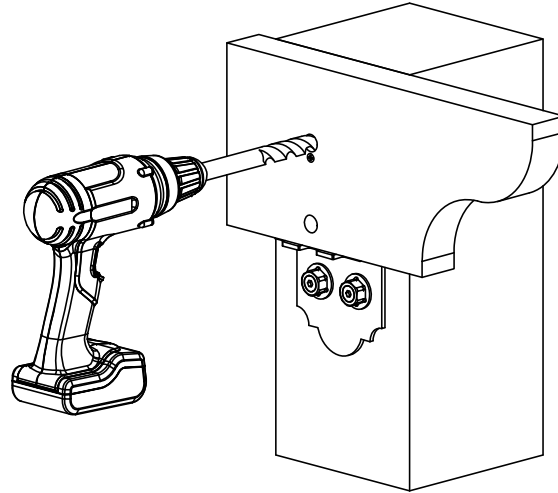
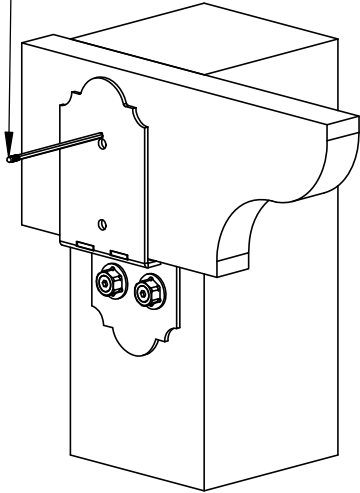
Installation Instructions, 56637



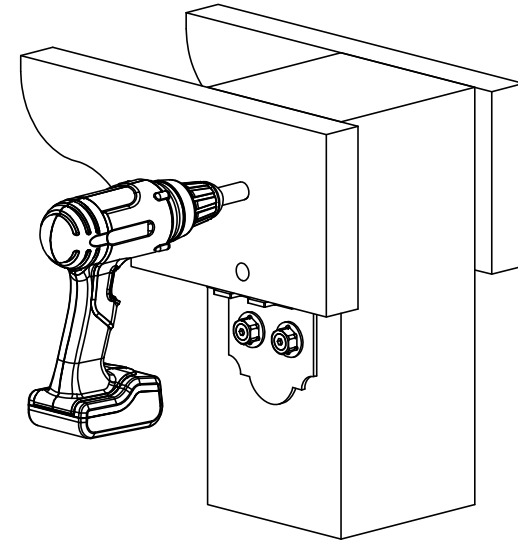
step 1

Installation Instructions, 56637

temporarily install plate and mark center of holes; repeat if 2 beams are installed

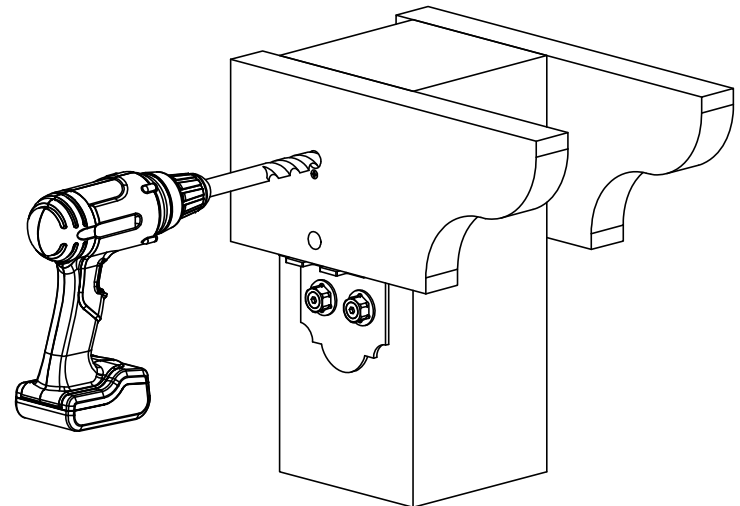
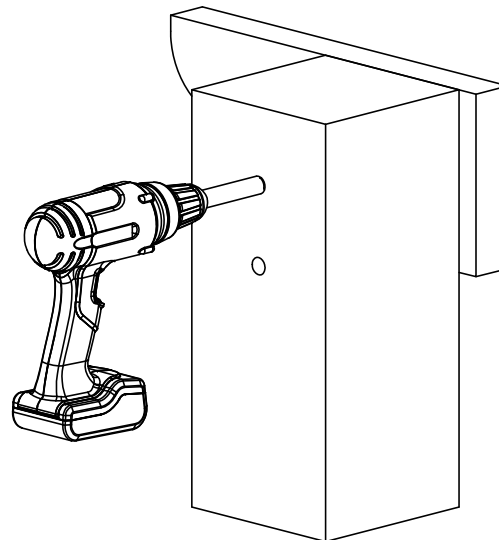


1 beam installation



2 beam installation

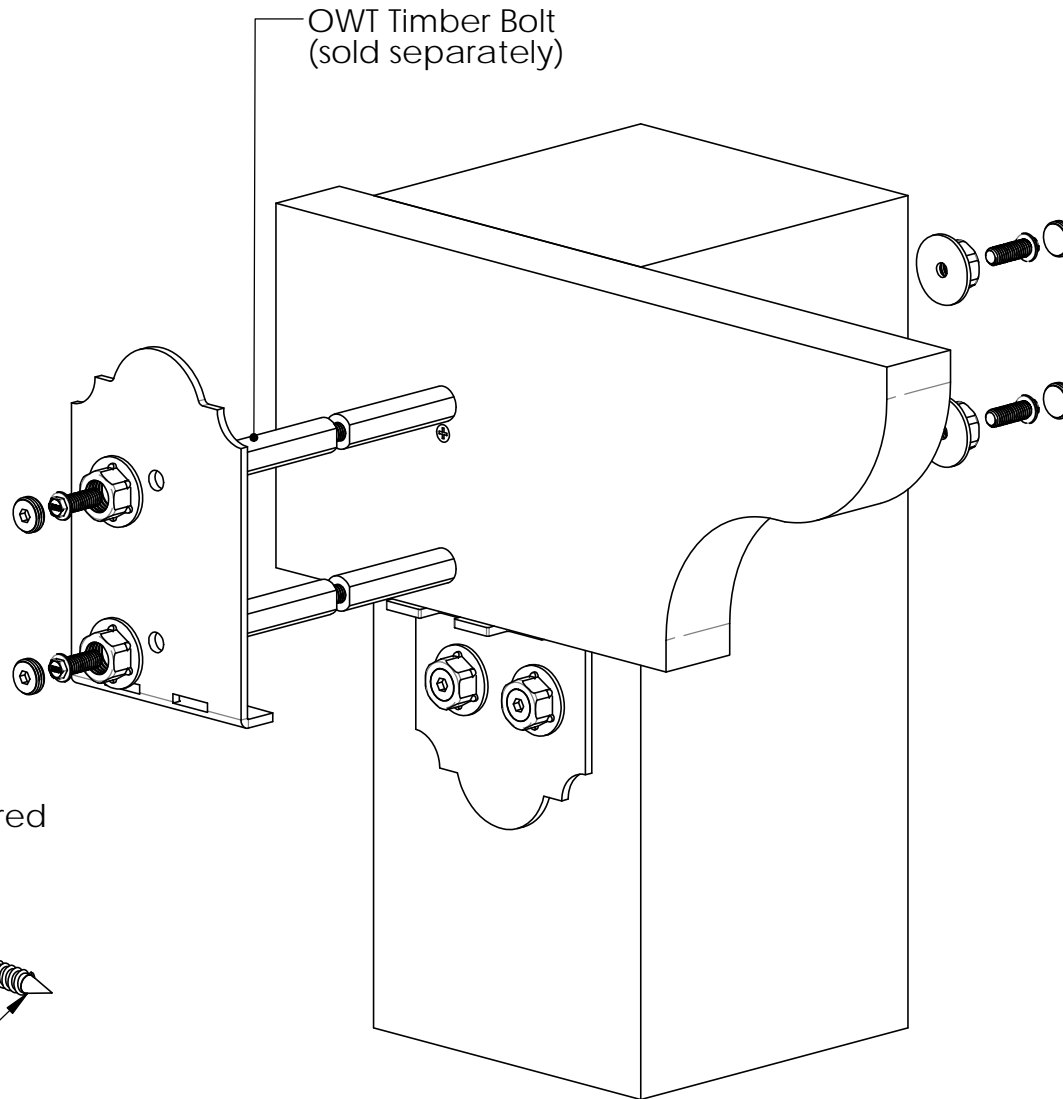
Prevent Unsightly Breakouts
drill most of the way from one side DO NOT breakout then repeat from opposite side



step 2

Installation Instructions, 56637

same process for all



step 3

Installation Instructions, 56637