

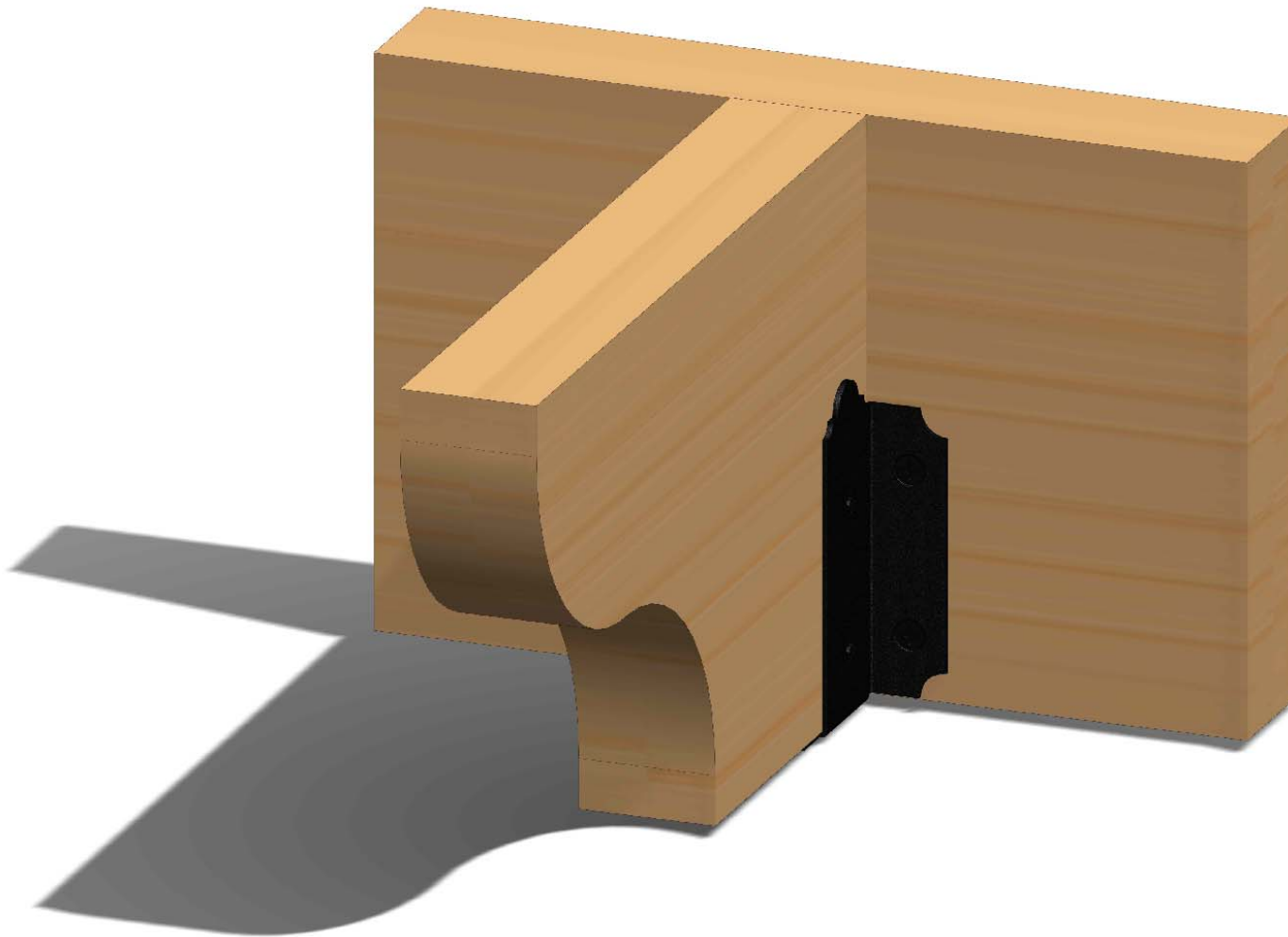
DESIGN

PURCHASE

CONSTRUCT

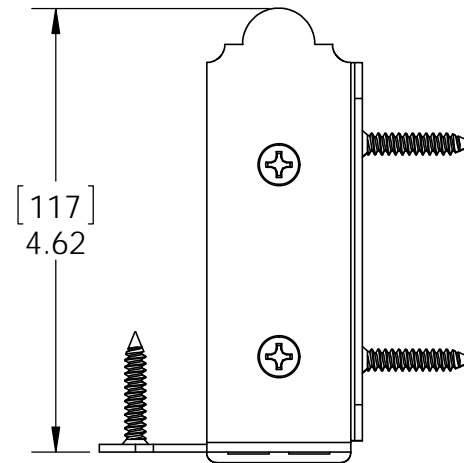
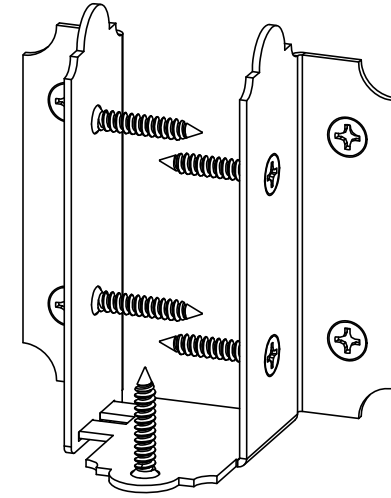
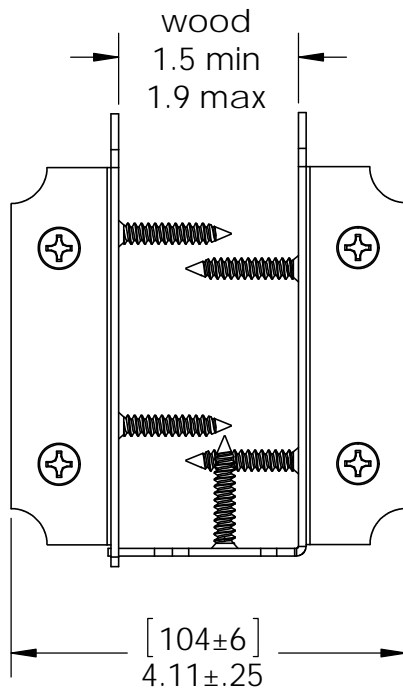
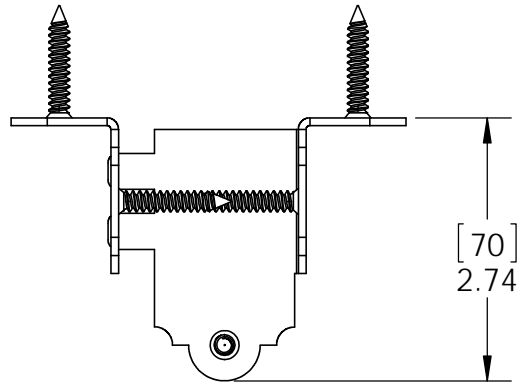
ENJOY

Installation Instructions, 56639



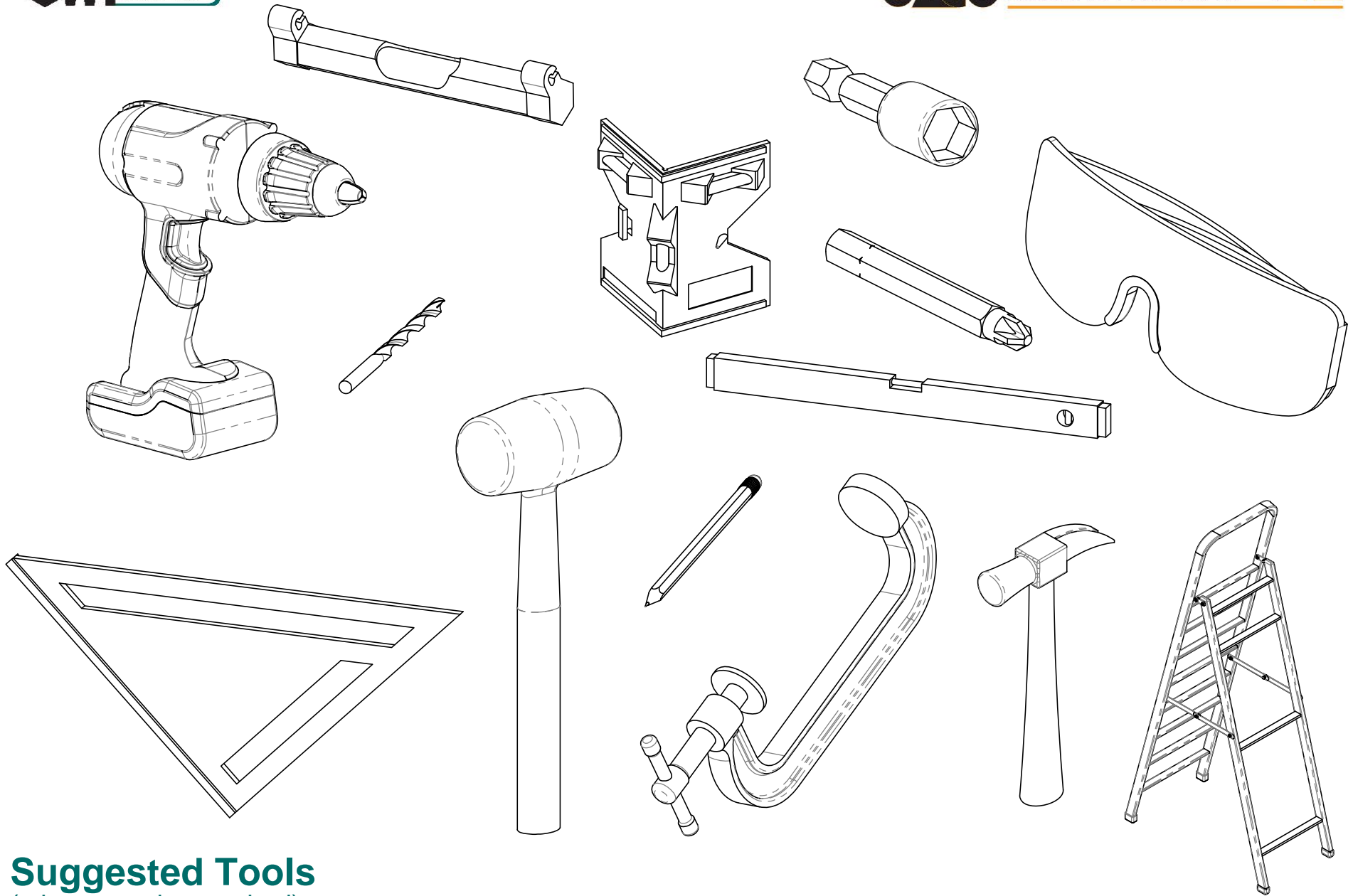
Installation Instructions, 56639

V1.00 - Installation Instructions effective May 1, 2015 and reflects information that available as of April 10, 2014. This information is updated periodically and should not be relied upon after May 1, 2015. Please visit www.OZCOBP.com to get current information



Overview

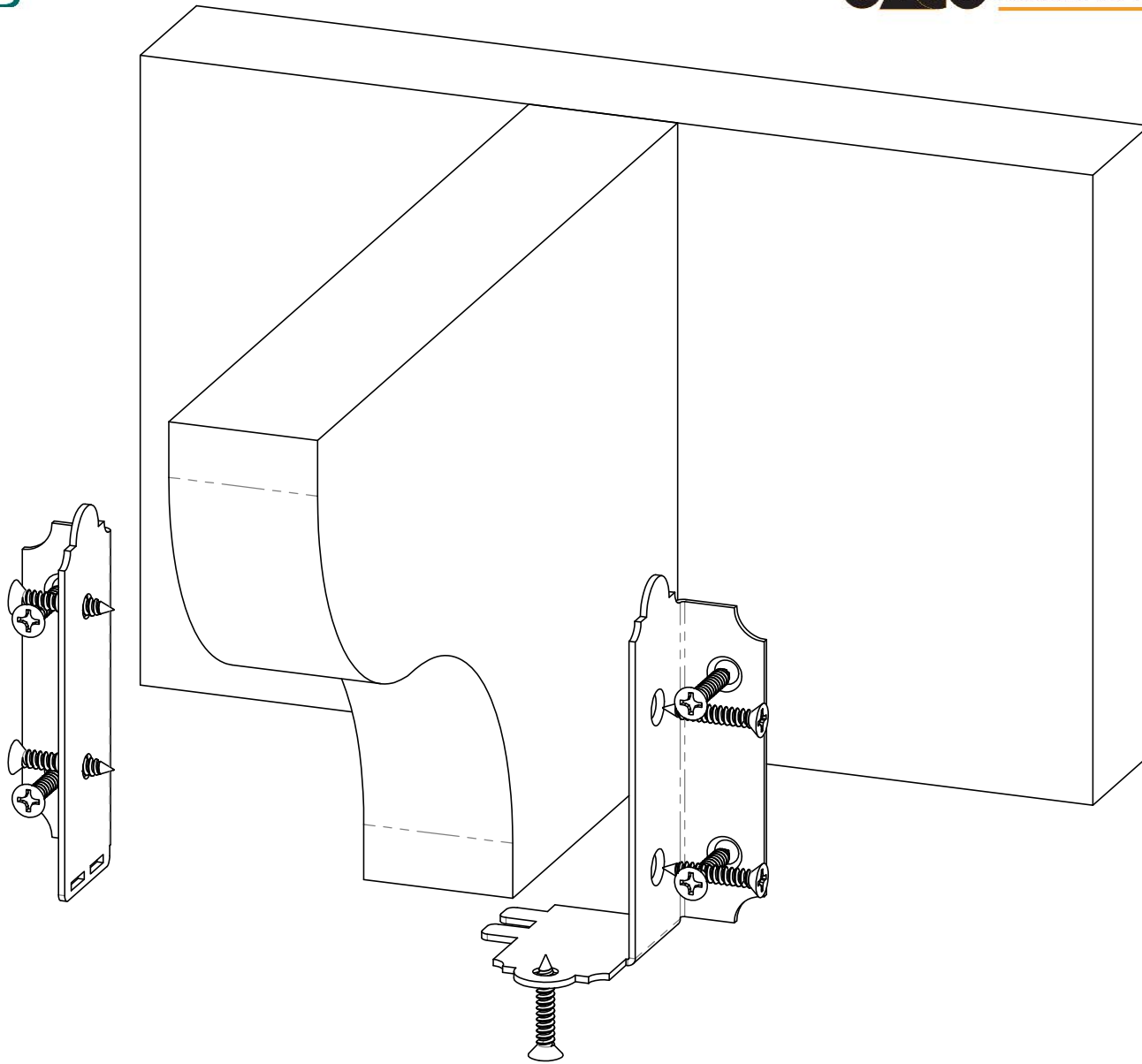
Installation Instructions, 56639



Suggested Tools

(others may be required)

Installation Instructions, 56639



step 1

Installation Instructions, 56639