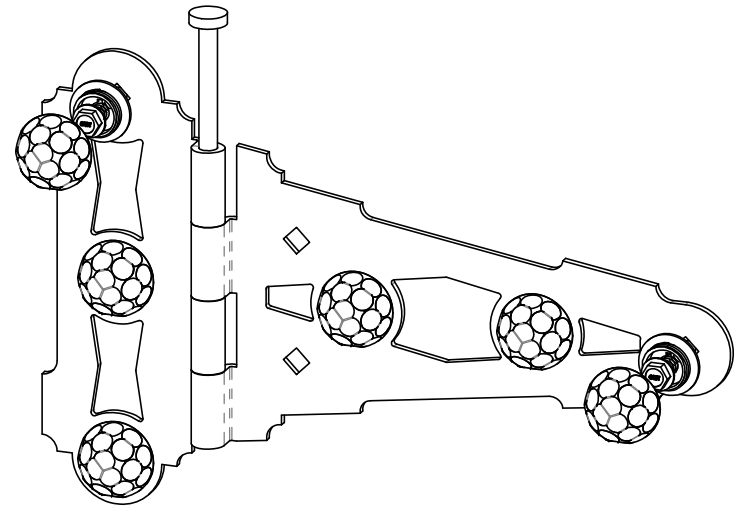
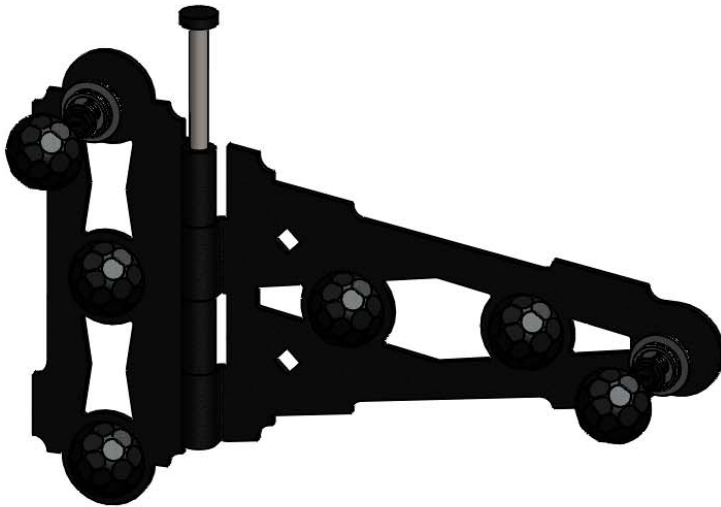
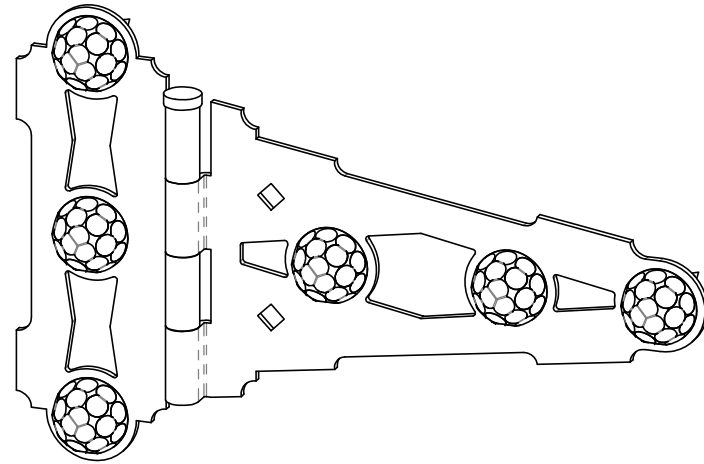
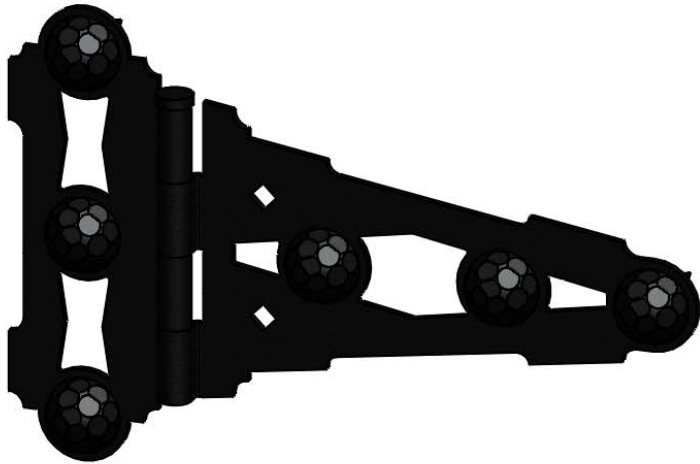


ITEM NO.	QTY.	PART NUMBER	DESCRIPTION
1	1	56655-12	Pin, Butterfly Hinge
2	6	56625	OWT Timber Screw 1-3/4"
3	6	56622	1-1/4" Hammered Dome Cap Nut
4	1	56655-11	Bracket, Butterfly Hinge
5	1	56654-11	Bracket, Strap Hinge

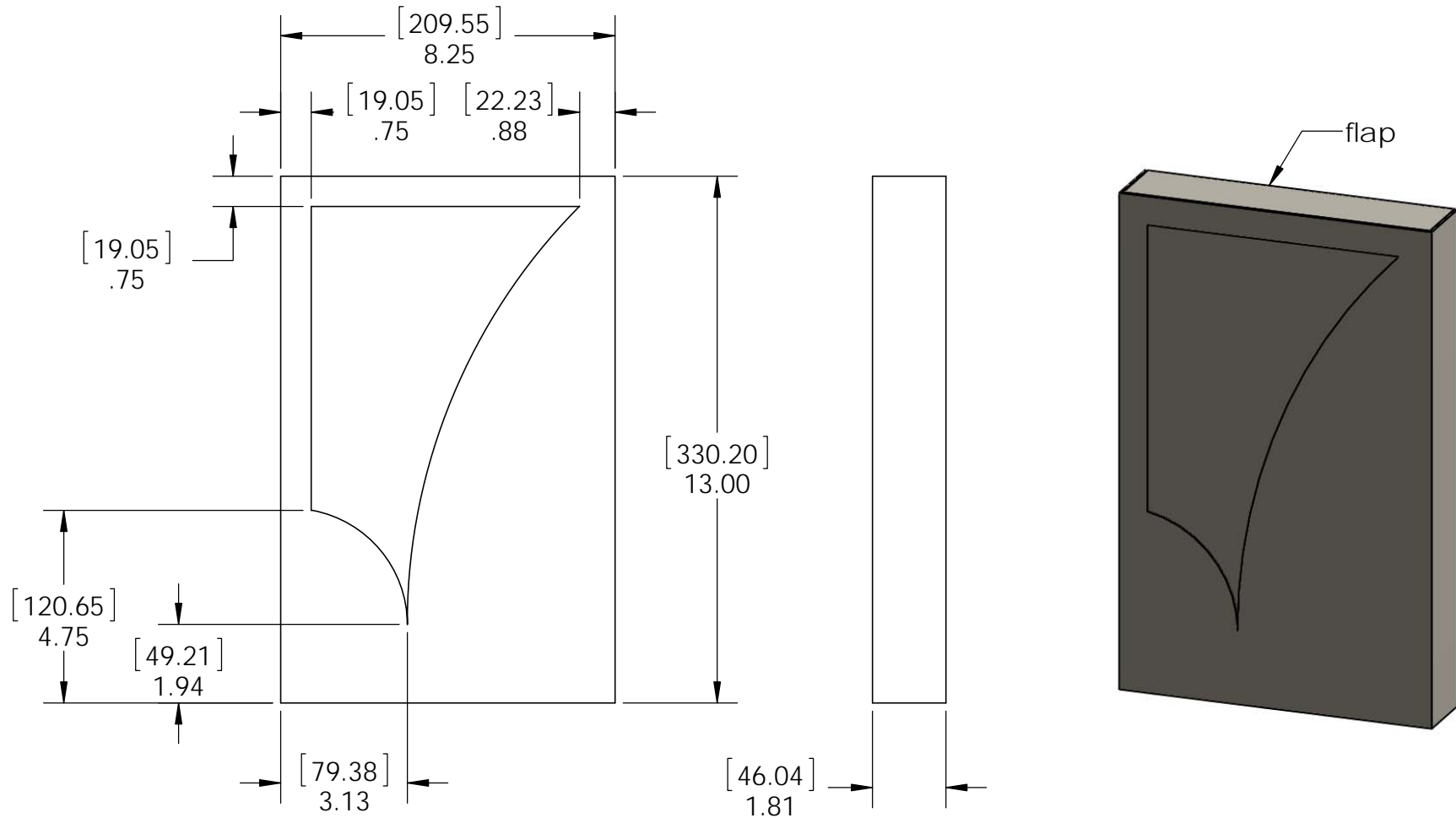
Bill of Material quantities shown for 1 hinge.
 56653 is a kit of 3 complete hinges

Weight: 1.80 LBS
 Scale: 1:2
 Last updated: 7/13/2015



Weight: 1.80 LBS
Scale: 1:3
Last updated: 7/13/2015

56653-10



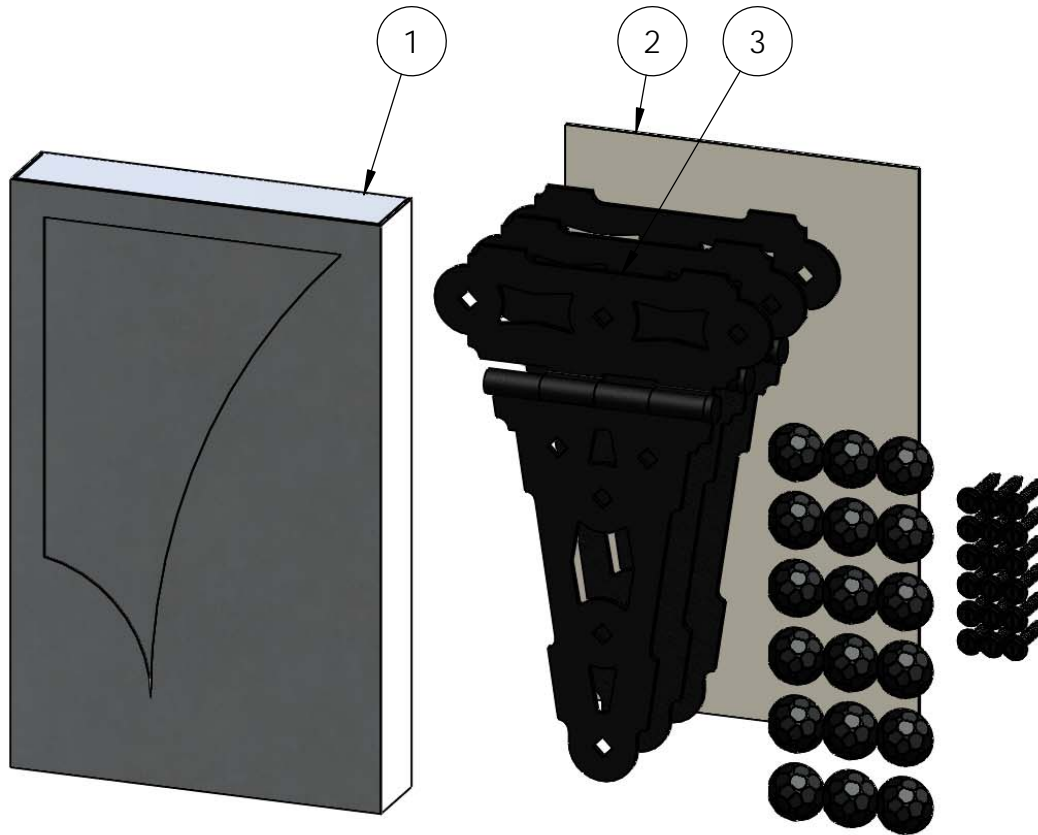
Material: Corrugated Paper
 Finish: See Artwork
 Weight: 0.06 LBS
 Scale: 1:4
 Last updated: 7/13/2015

56653-10

Product & Packaging Specs

56653 Packing

Item #: Box packing



ITEM NO.	QTY.	PART NUMBER	DESCRIPTION
1	1	Box, 56653 Packing	Box, 56653 Packing
2	1	Insert, 56653 Box	Insert, 56653 Box
3	3	56653-10	Assembly, T-Hinge

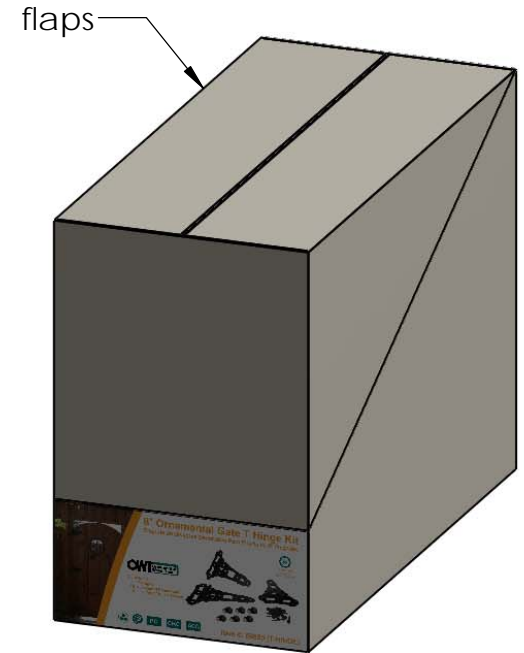
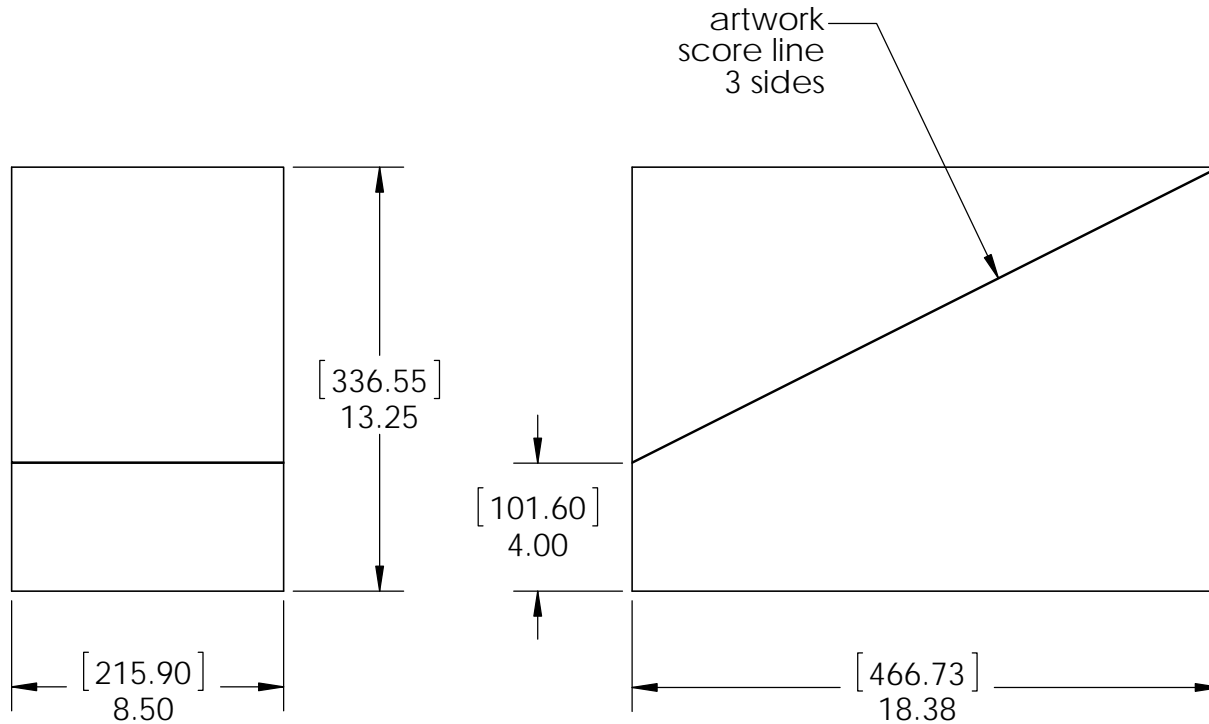
- Screws shall be placed inside small bag and secured with tape to insert
- Dome Cap Nuts shall be placed inside small bag and secured with tape to insert
- Secure item 3 to insert with black twist ties so product is visible in box cutout

Weight: 6.44 LBS
Scale: 1:2
Last updated: 7/13/2015

56653-10

Product & Packaging Specs

Case, 56653 Packing
 Item #: Case, 56653 Packing



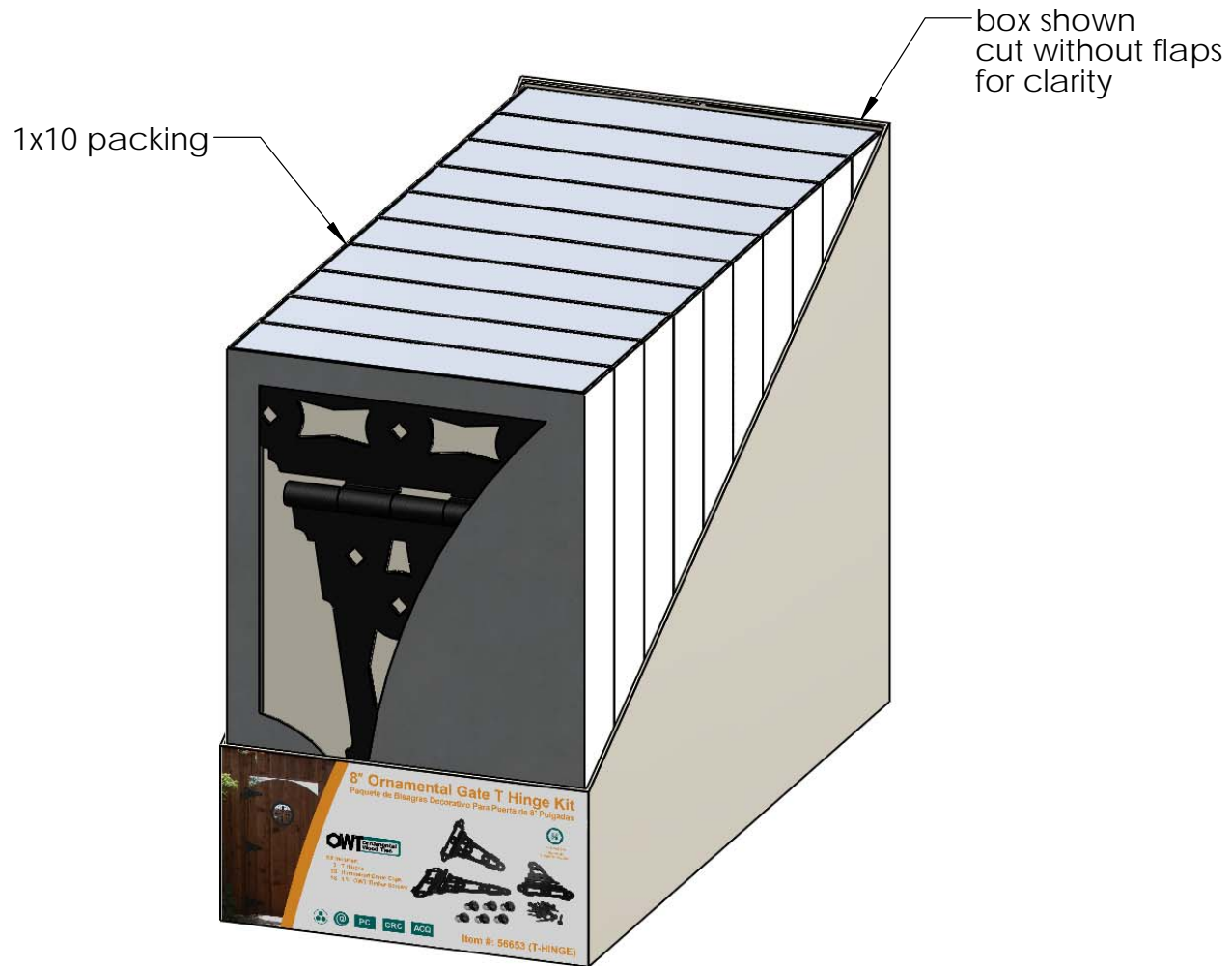
Material: Corrugated Paper
 Finish: Natural
 Weight: 0.45 LBS
 Scale: 1:6
 Last updated: 7/13/2015

56653-10

Product & Packaging Specs

56653 Packing

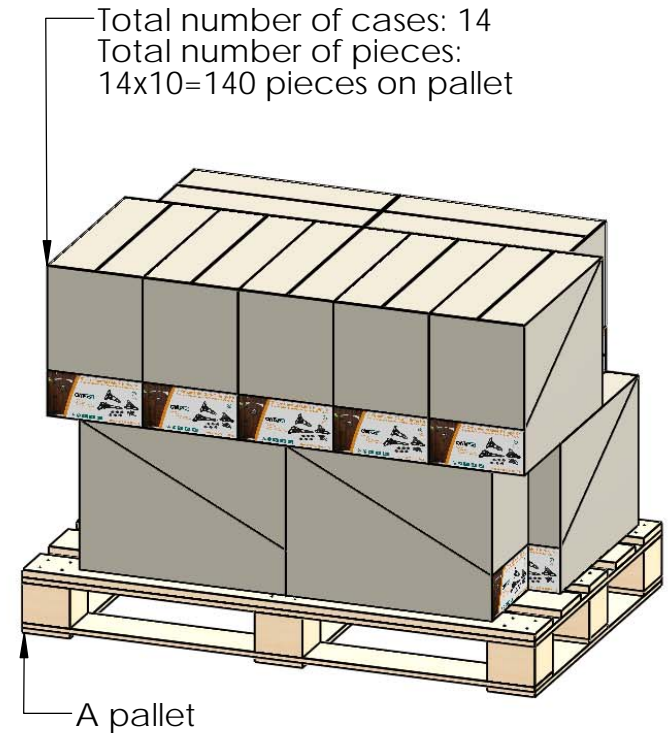
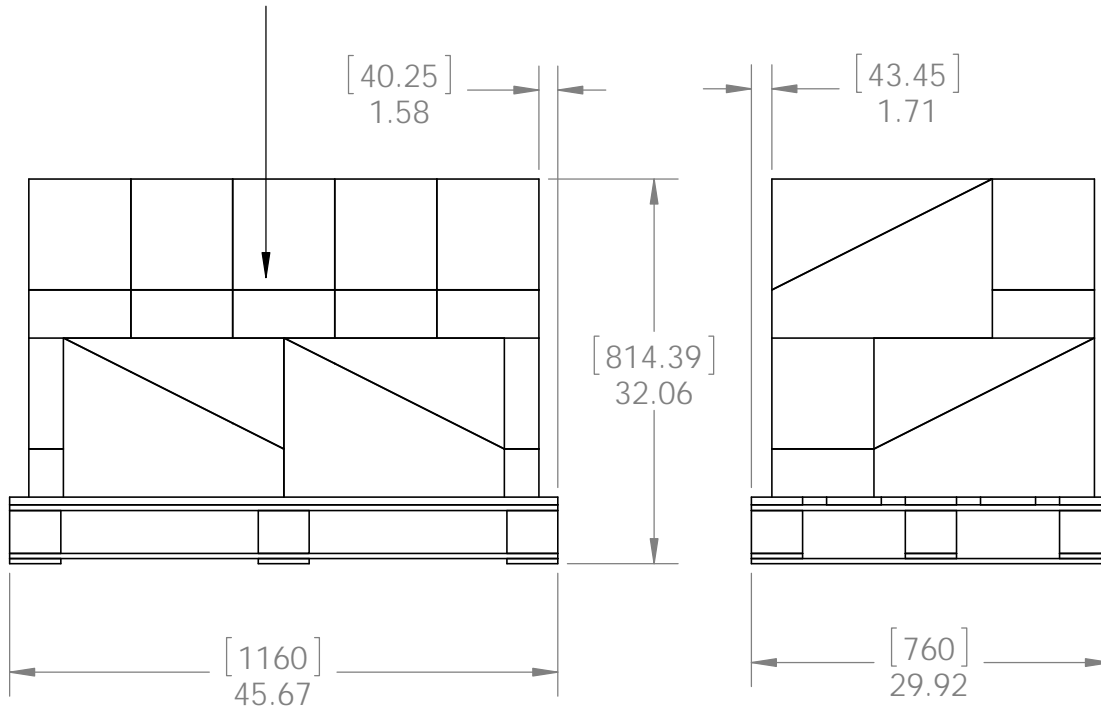
Item #: Case packing



Weight: 65 LBS
 Scale: 1:4
 Last updated: 7/13/2015

56653-10

Item #: **56653** | **T-HINGE**
 8" Ornamental Gate T Hinge
PALLET | **140 pcs**
 SKU#: **56853** 
 Weight: **780 lbs**
 LOT# _____ Priority# _____ 



additional pallet packing instructions

- plywood on top layer
- strap to pallet
- clear wrap around boxes

Weight: 780 LBS
 Scale: 1:16
 Last updated: 7/13/2015

56653-10