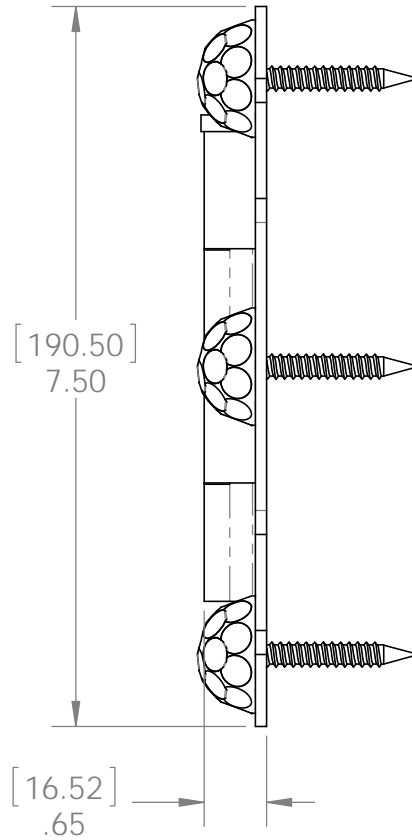
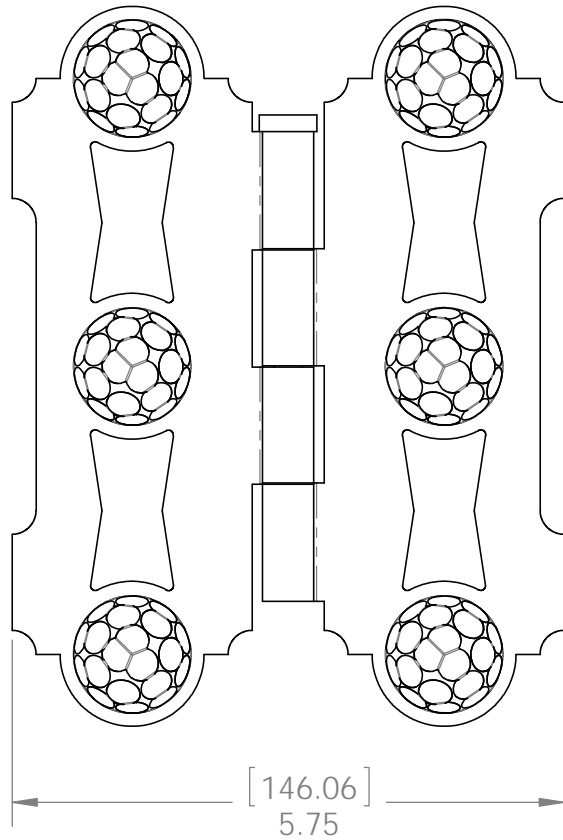


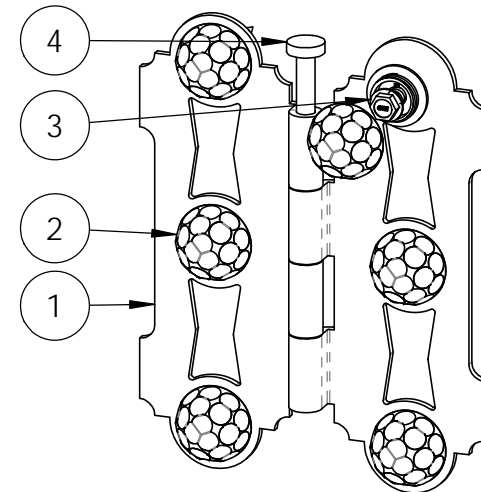
Product & Packaging Specs

Butterfly Hinge

Item #:



ITEM NO.	QTY.	PART NUMBER	DESCRIPTION
1	2	56655-11	Bracket, Butterfly Hinge
2	6	56622	1-1/4" Hammered Dome Cap Nut
3	6	56625	OWT Timber Screw 1-3/4"
4	1	56655-12	Pin, Butterfly Hinge



Weight: 1.62 LBS
Scale: 1:2
Last updated: 7/13/2015

56655-10

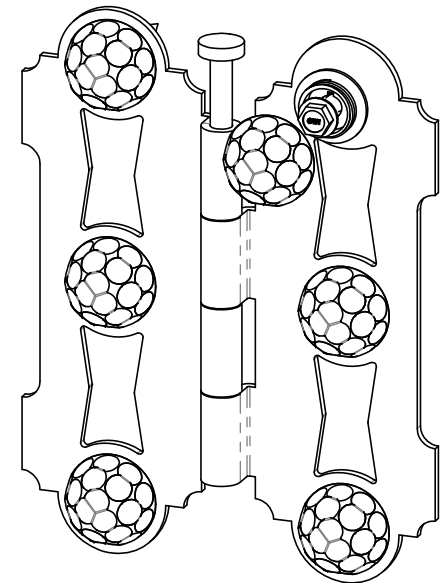
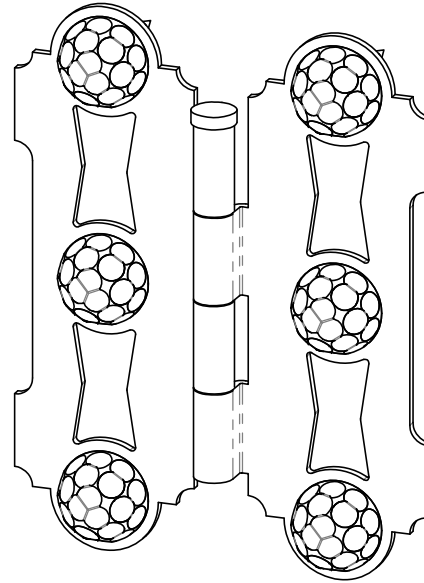


OZCO BUILDING PRODUCTS

Product & Packaging Specs

Butterfly Hinge

Item #:



Weight: 1.62 LBS
Scale: 1:2.5
Last updated: 7/13/2015

56655-10

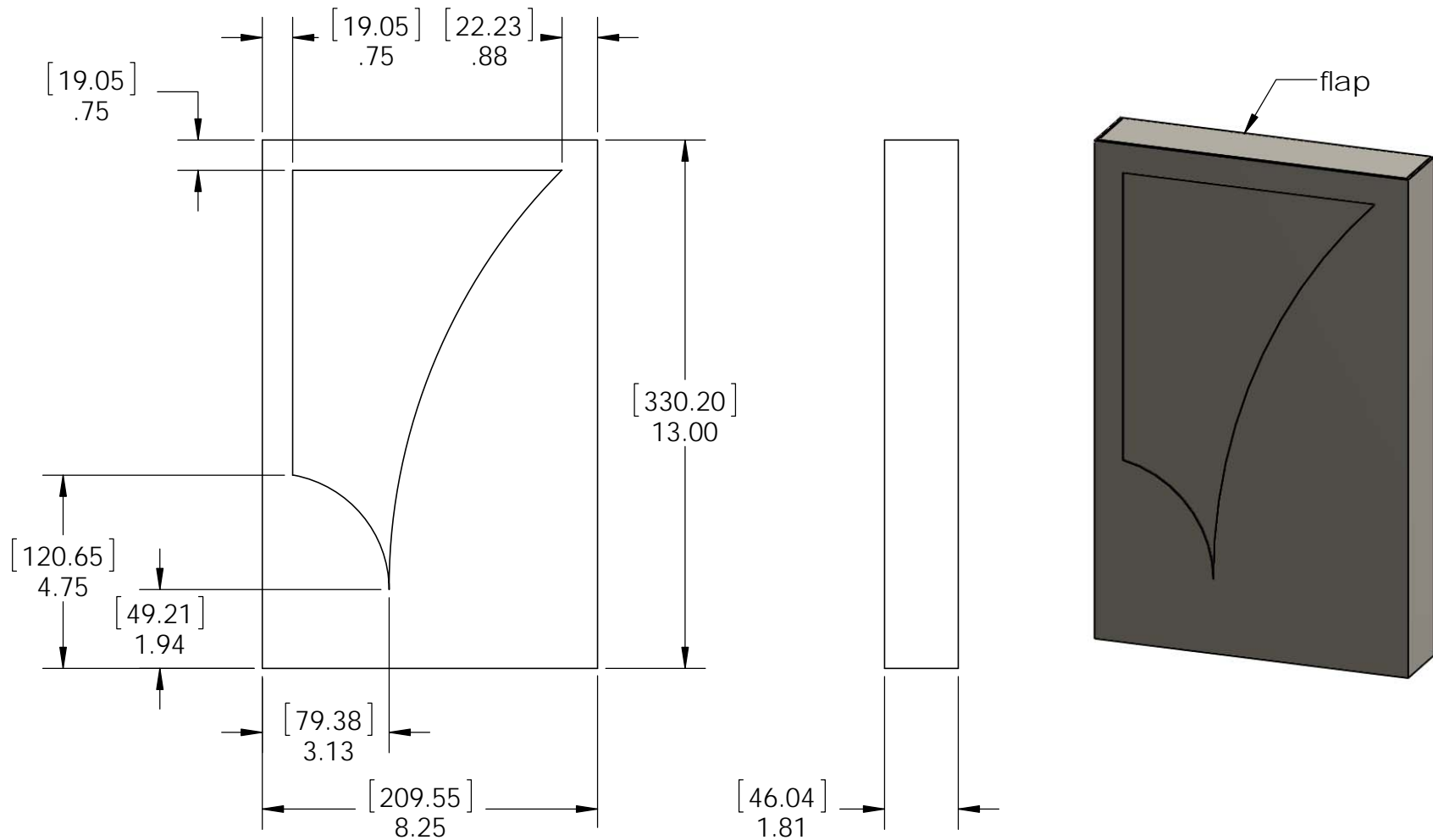


OZCO BUILDING PRODUCTS

Product & Packaging Specs

Box, 56655 Packing

Item #: Box, 56655 Packing



Material: Corrugated Paper
Finish: See Artwork
Weight: 0.06 LBS
Scale: 1:4
Last updated: 7/13/2015

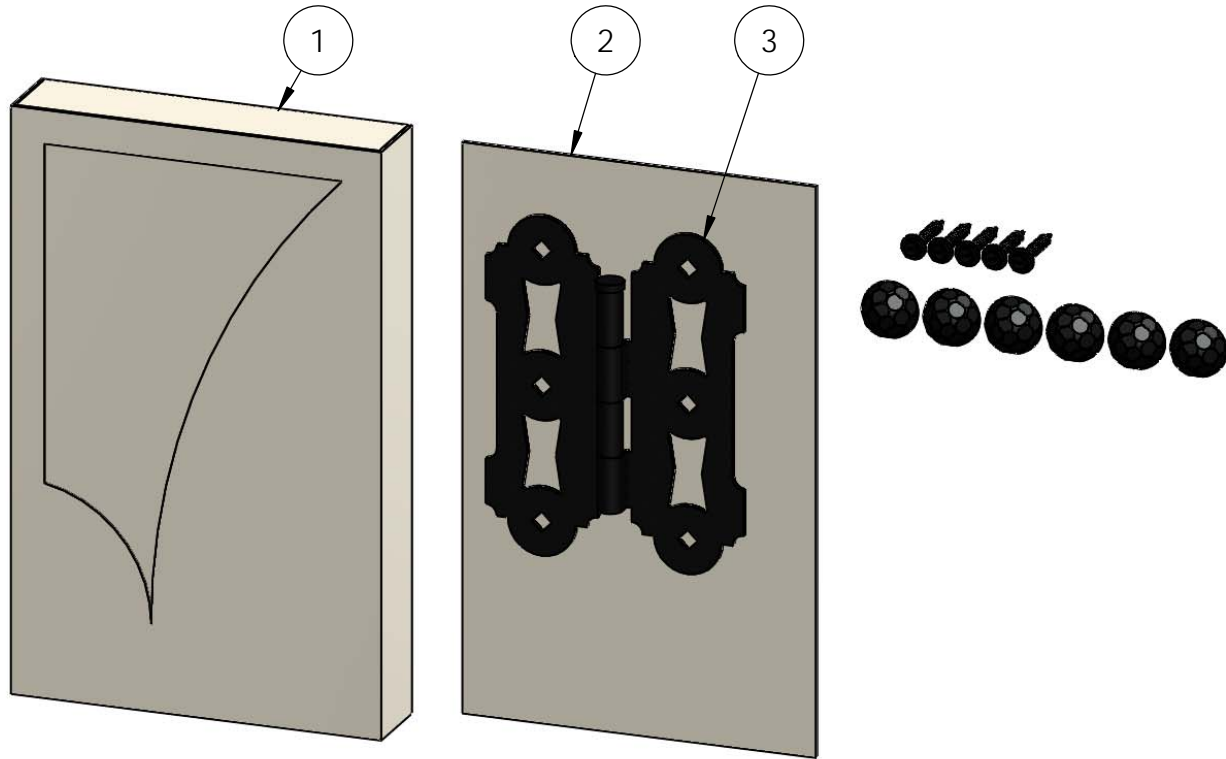
56655-10

Product & Packaging Specs

Butterfly Hinge Packing

Item #: Box packing

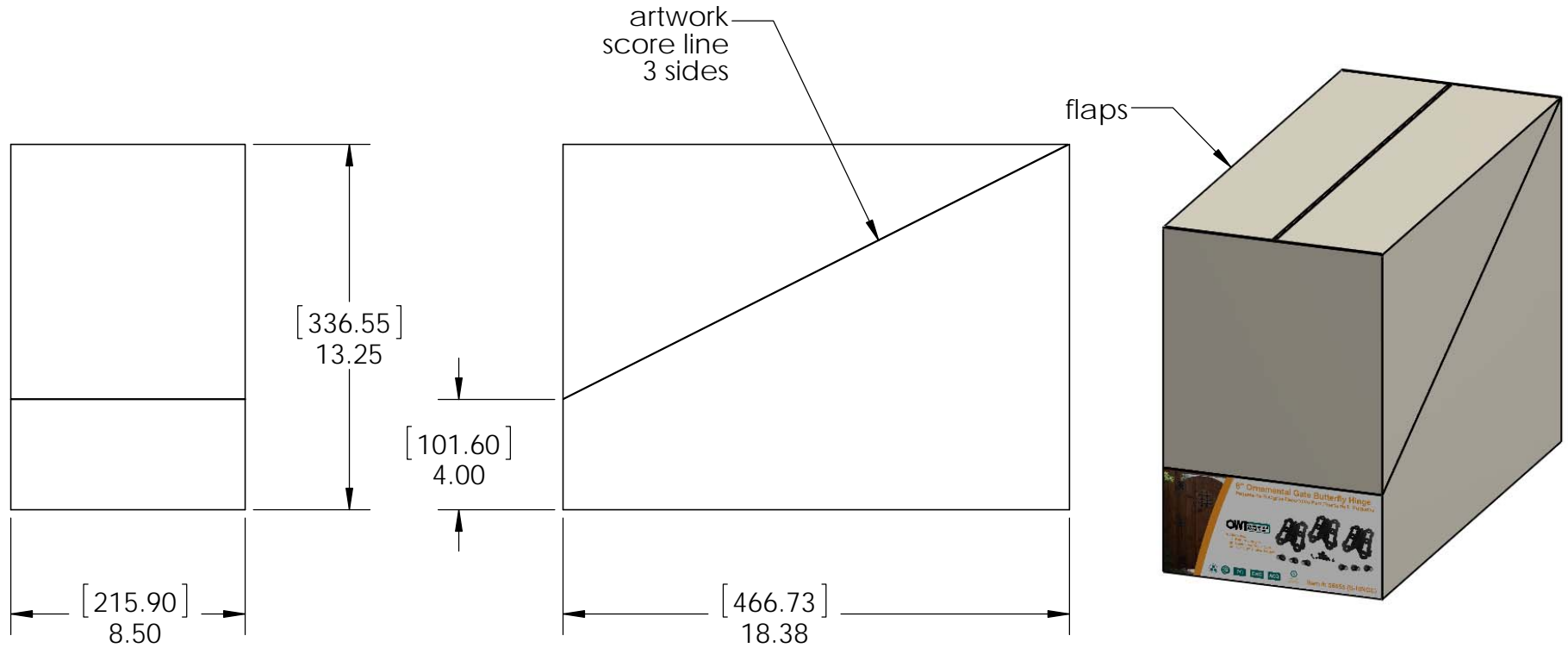
ITEM NO.	QTY.	PART NUMBER	DESCRIPTION
1	1	Box, 56655 Packing	Box, 56655 Packing
2	1	Insert, 56655 Packing	Insert, 56655 Packing Box
3	1	56655-10	Assembly, Butterfly Hinge



- Screws shall be placed inside small bag and secured with tape to backside of insert
- Dome Cap Nuts shall be placed inside small bag and secured with tape to backside of insert
- Secure item 3 to insert with black twist ties so product is visible in box cutout

Weight: 4.73 LBS
 Scale: 1:4
 Last updated: 7/13/2015

56655-10



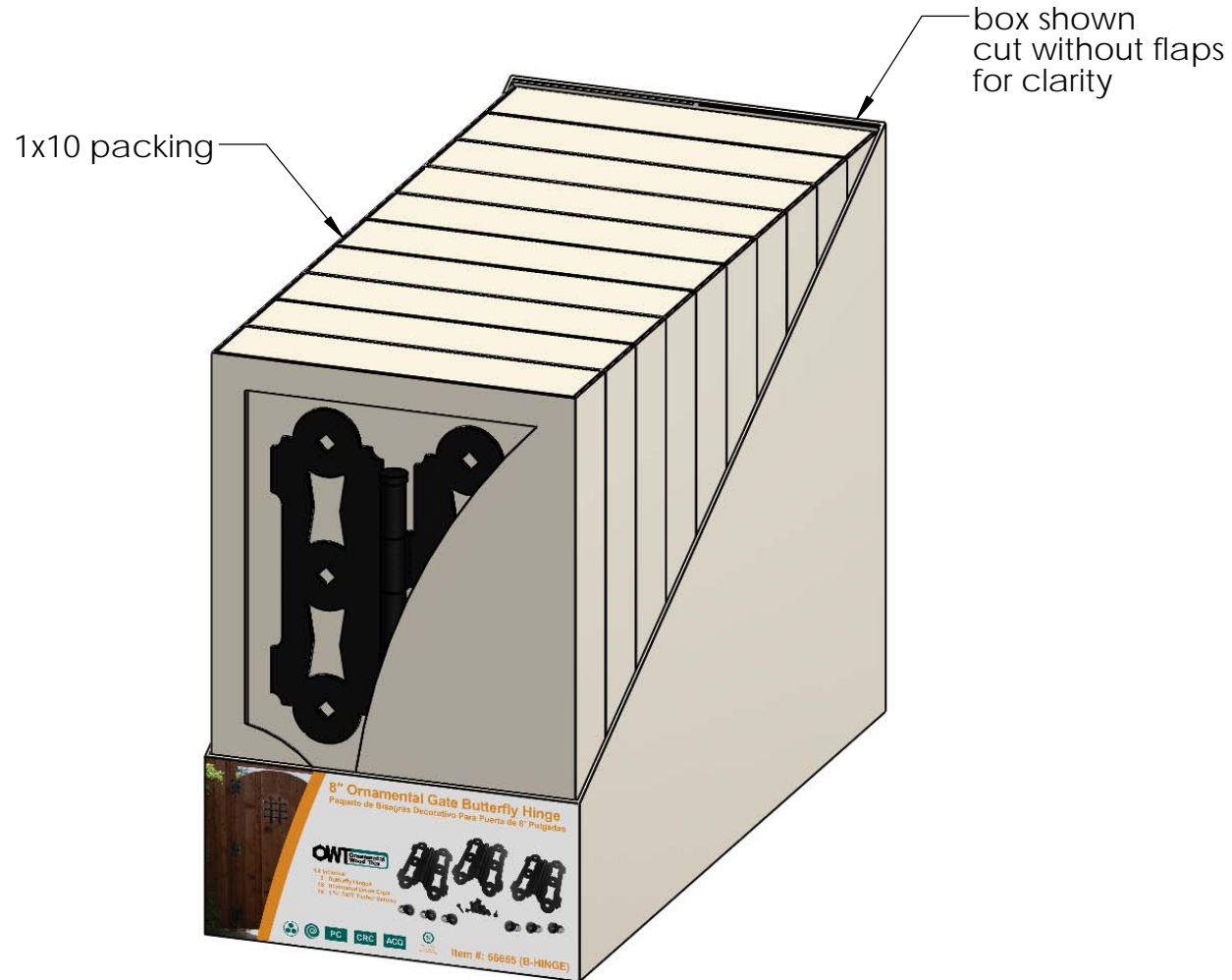
Material: Corrugated Paper
 Finish: Natural
 Weight: 0.45 LBS
 Scale: 1:6
 Last updated: 7/13/2015

56655-10

Product & Packaging Specs

Butterfly Hinge Packing

Item #: Case packing



Weight: 48.50 LBS
 Scale: 1:4
 Last updated: 7/13/2015

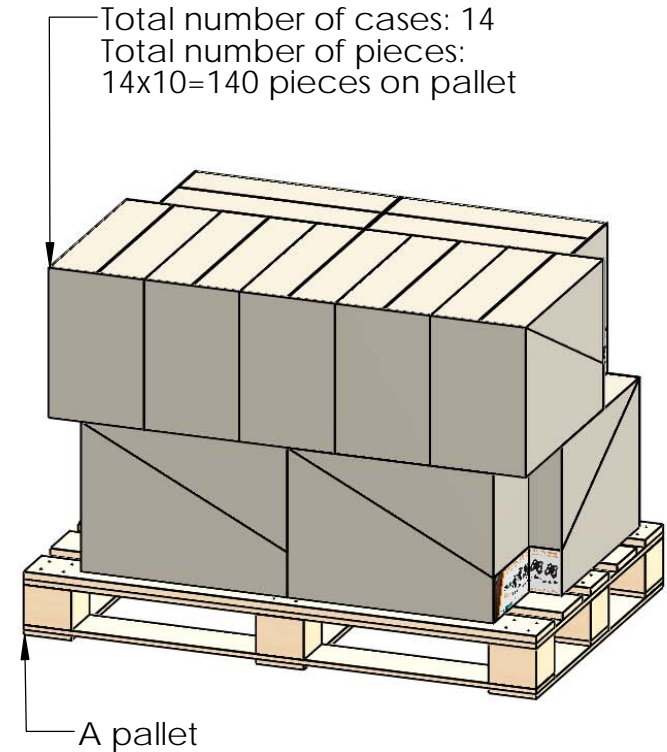
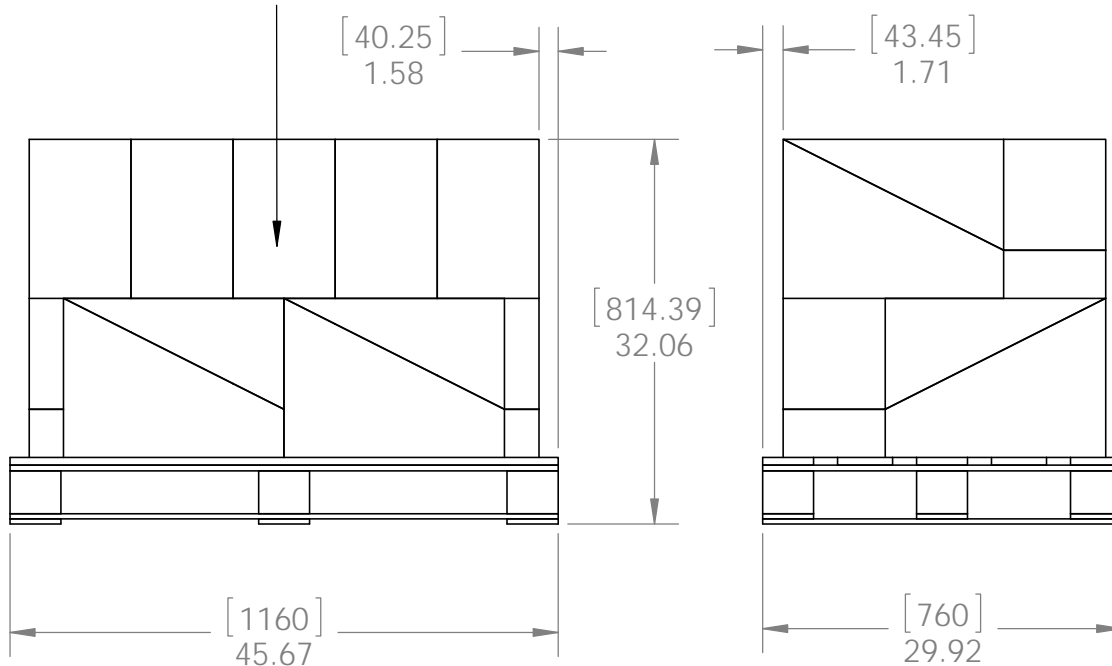
56655-10

Product & Packaging Specs

Butterfly Hinge Packing

Item #: Pallet packing

Item #: **56655** | **B-HINGE**
8" Ornamental Gate Strap Hinge
PALLET 140 pcs
SKU#: 56855
Weight: 708 lbs
 LOT# _____ Priority# _____



additional pallet packing instructions

- plywood on top layer
- strap to pallet
- clear wrap around boxes

Weight: 708 LBS
 Scale: 1:16
 Last updated: 7/13/2015

56655-10