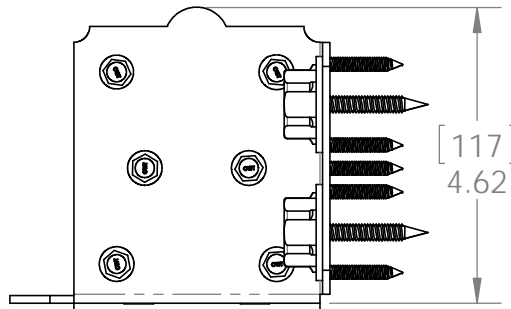
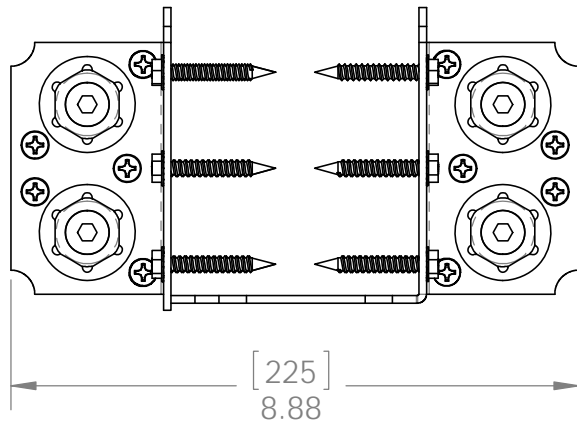
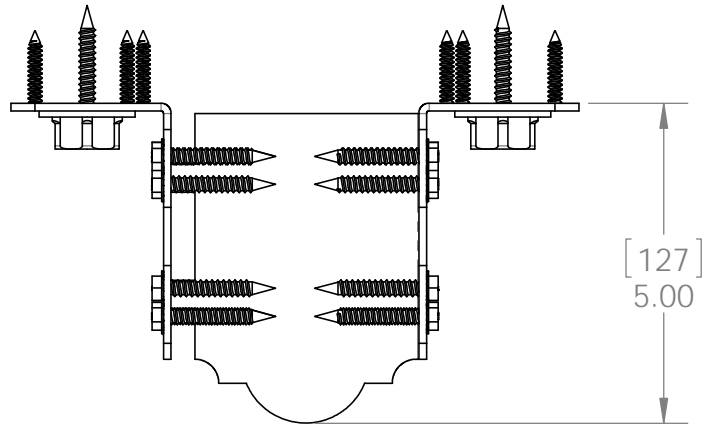


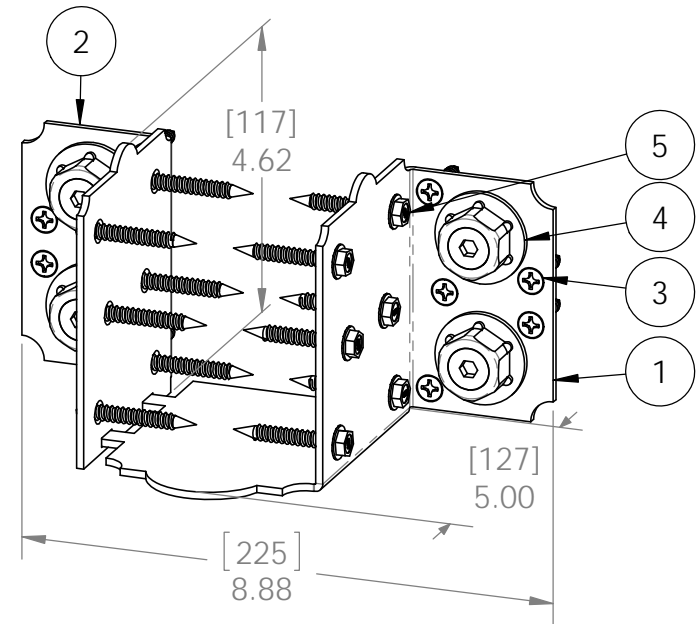
Product & Packaging Specs

6-8" Beam Hanger Flush (BHF-68-LS)

Item #: 56669



ITEM NO.	QTY.	PART NUMBER	DESCRIPTION
1	1	56669-11	Bracket, 6-8" Beam Hanger Flush (BHF-68-LS)
2	1	56669-12	Bracket, 6-8" Beam Hanger Flush (BHF-68-LS)
3	10	80014	Screw, FHP #12 X 1.25", Black
4	4	56621	1 1/2" Hex Cap Nut
5	12	56625	OWT Timber Screw 1-3/4"

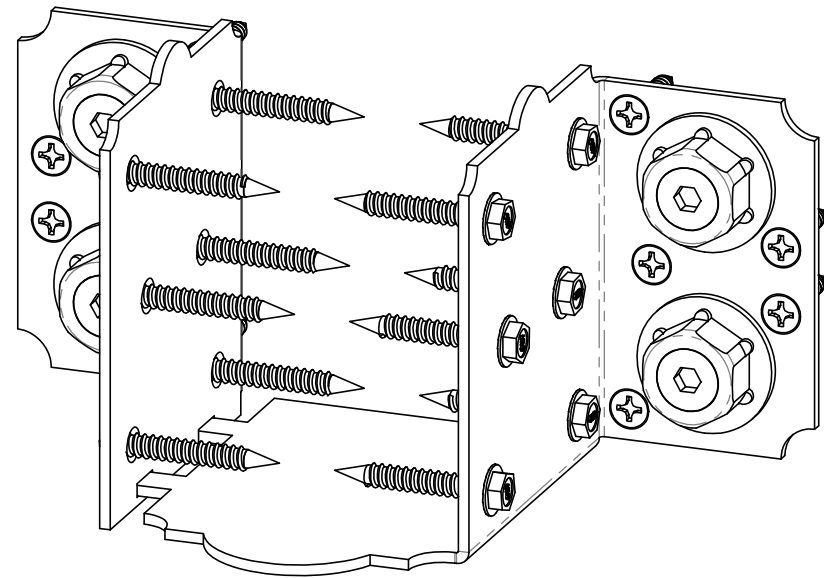
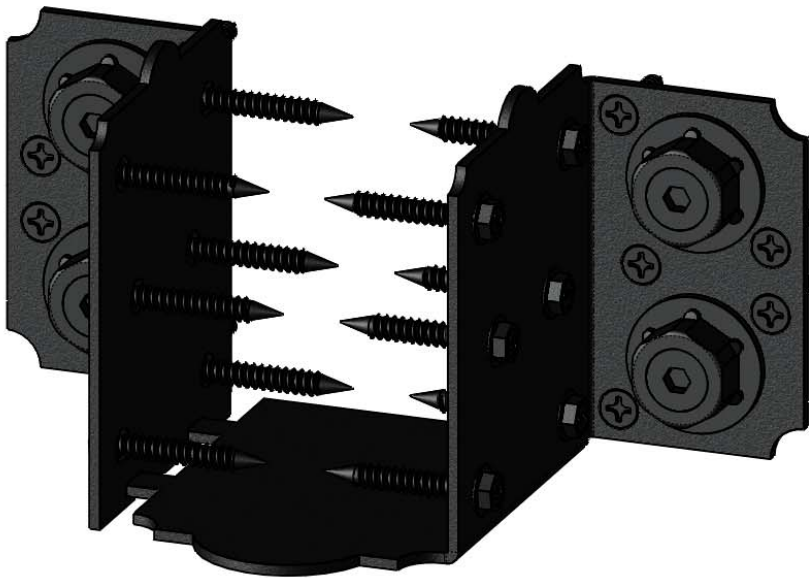


Weight: 2.78 LBS
 Scale: 1:3
 Last updated: 7/15/2015

Product & Packaging Specs

6-8" Beam Hanger Flush (BHF-68-LS)

Item #: 56669



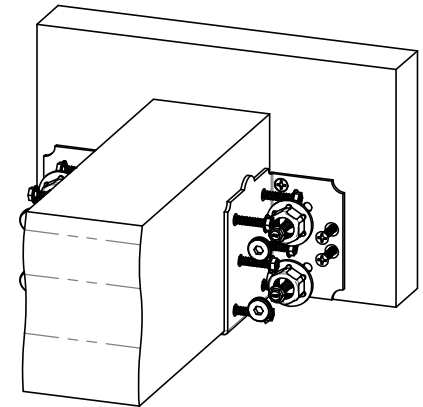
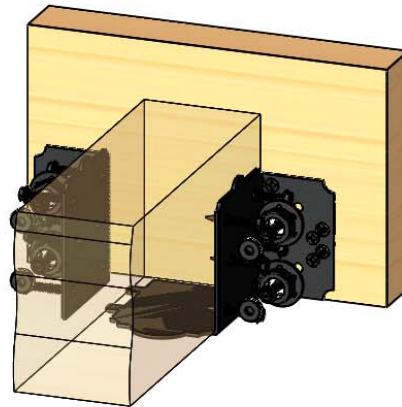
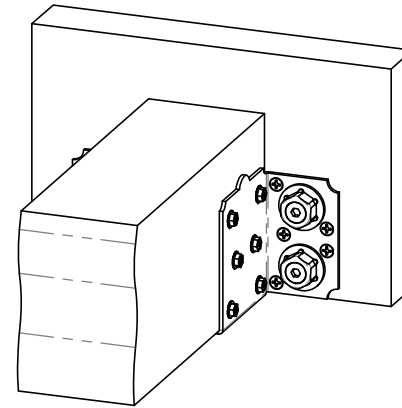
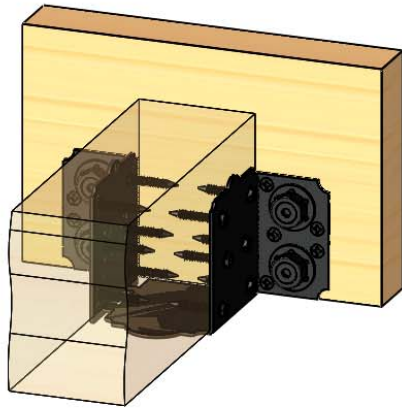
Weight: 2.78 LBS
Scale: 1:2
Last updated: 7/15/2015

56669

Product & Packaging Specs

6-8" Beam Hanger Flush (BHF-68-LS)

Item #: Typical Installation & Basic Assembly

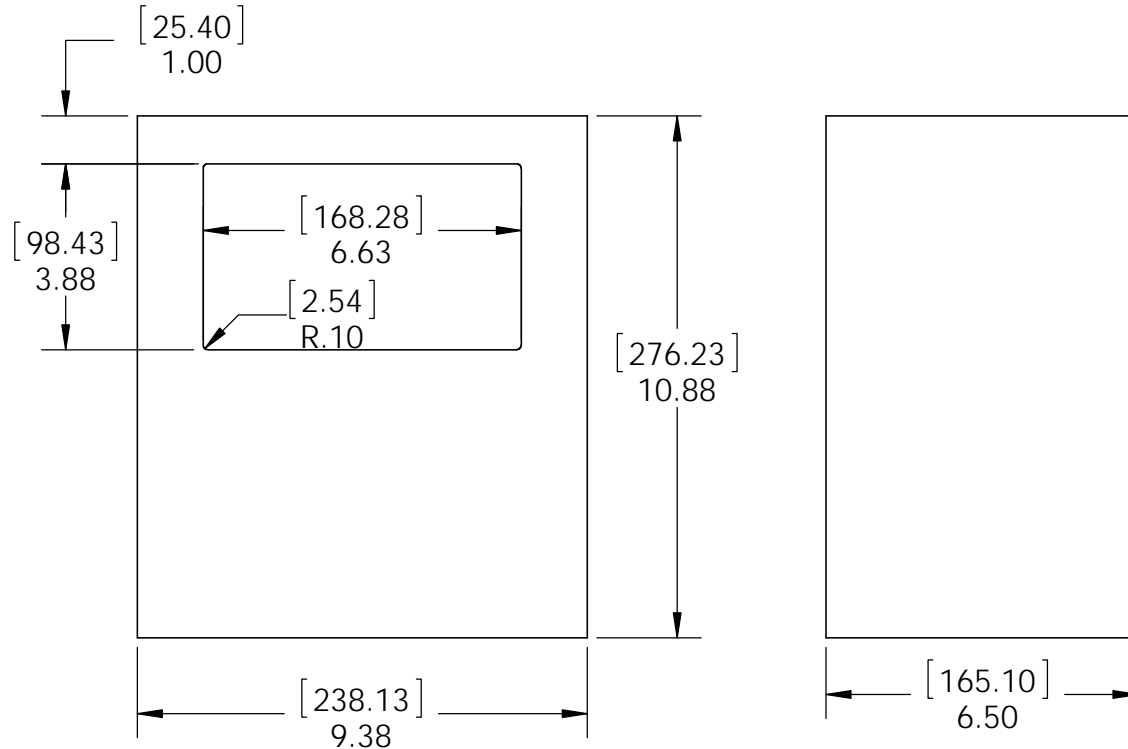


Scale: 1:6
Last updated: 7/15/2015

56669

Product & Packaging Specs

Box, 56669
 Item #: Box, 56669

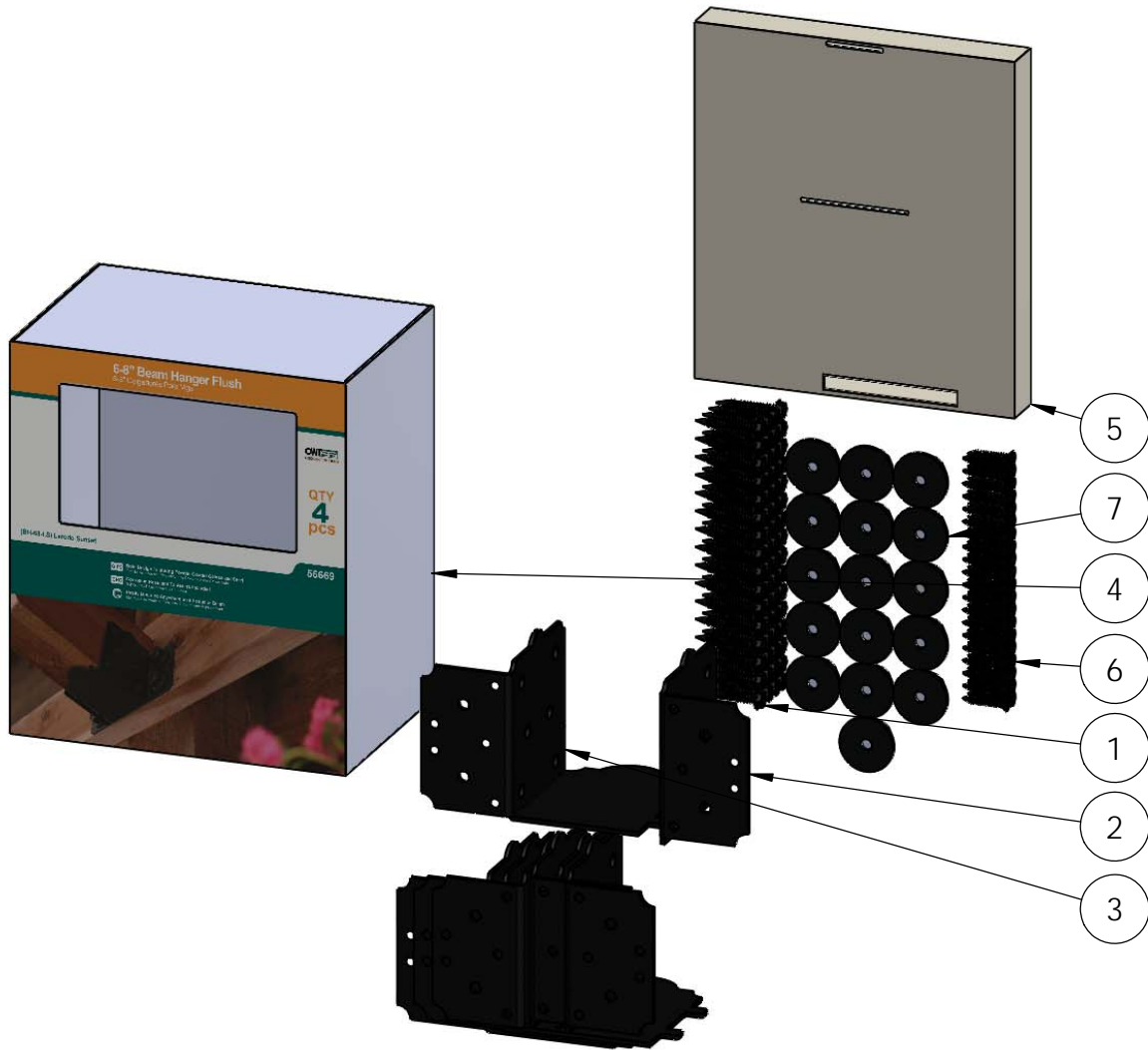


Material: Corrugated Paper
 Finish: See Artwork
 Weight: 0.10 LBS
 Scale: 1:4
 Last updated: 7/15/2015

56669

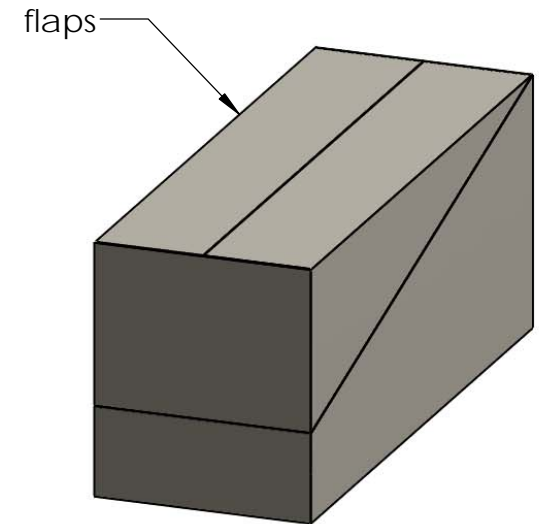
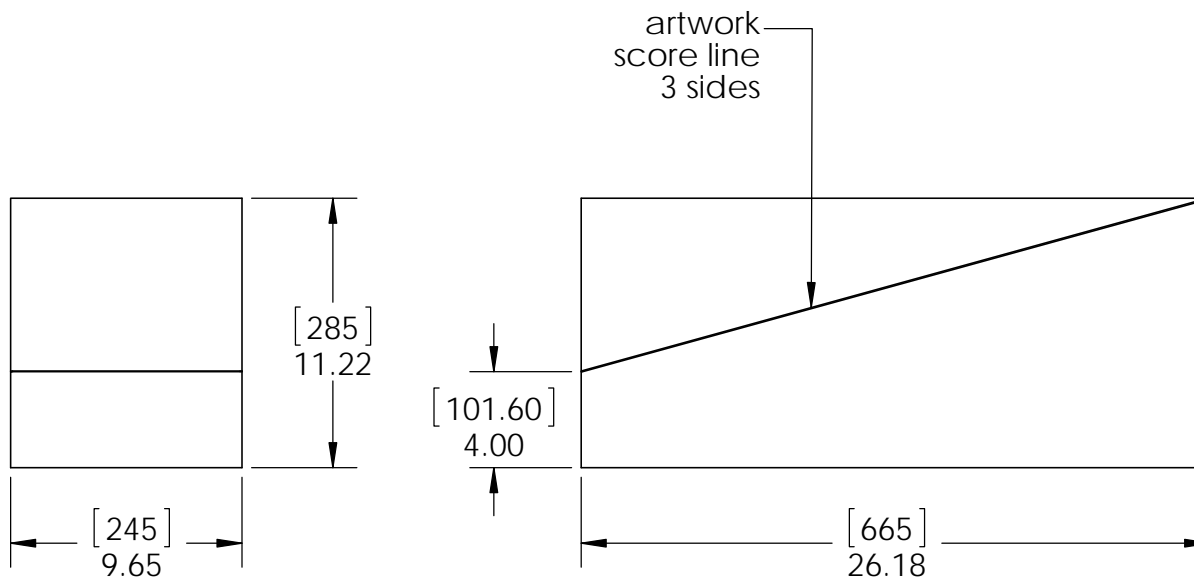
Product & Packaging Specs

56669 Packing
 Item #: Box packing



ITEM NO.	QTY.	PART NUMBER	DESCRIPTION
1	64	56625	OWT Timber Screw 1-3/4"
2	4	56669-12	Bracket, 6-8" Beam Hanger Flush (BHF-68-LS)
3	4	56669-11	Bracket, 6-8" Beam Hanger Flush (BHF-68-LS)
4	1	Box, 56669	Box, 56669
5	1	Insert, 56669	Insert, 56669
6	40	80014	Screw, FHP #12 X 1.25", Black
7	16	56621	1 1/2" Hex Cap Nut

Weight: 11.23 LBS
 Scale: 1:5
 Last updated: 7/15/2015

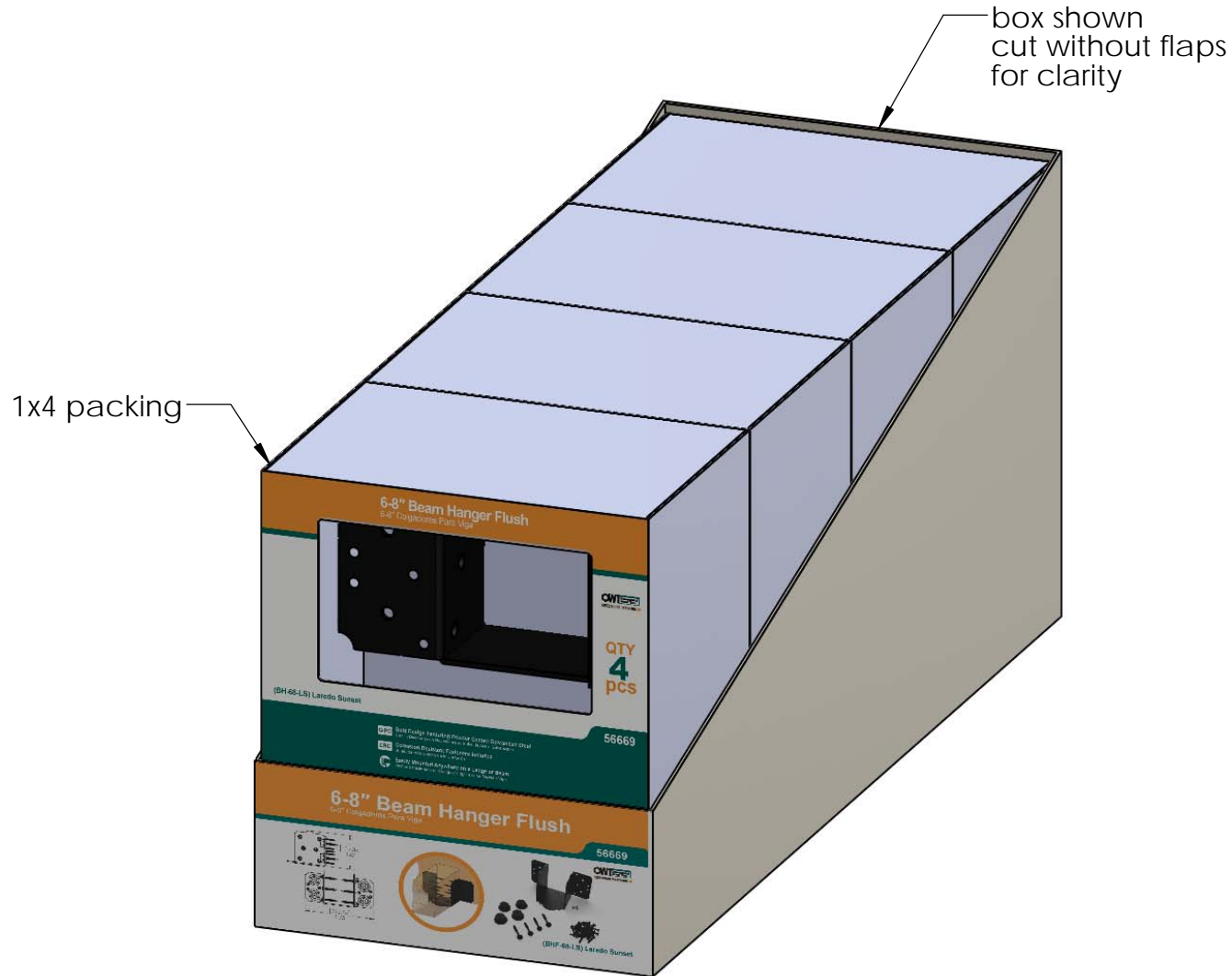


Material: Corrugated Paper
 Finish: See Artwork
 Weight: 263.36 LBS
 Scale: 1:8
 Last updated: 7/15/2015

56669

Product & Packaging Specs

56669 Packing
 Item #: Case packing



Weight: 46 LBS
 Scale: 1:4
 Last updated: 7/15/2015

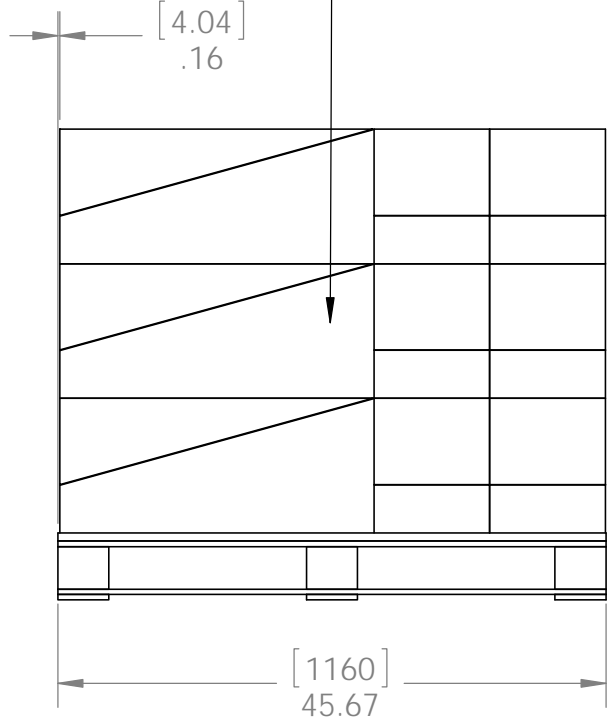
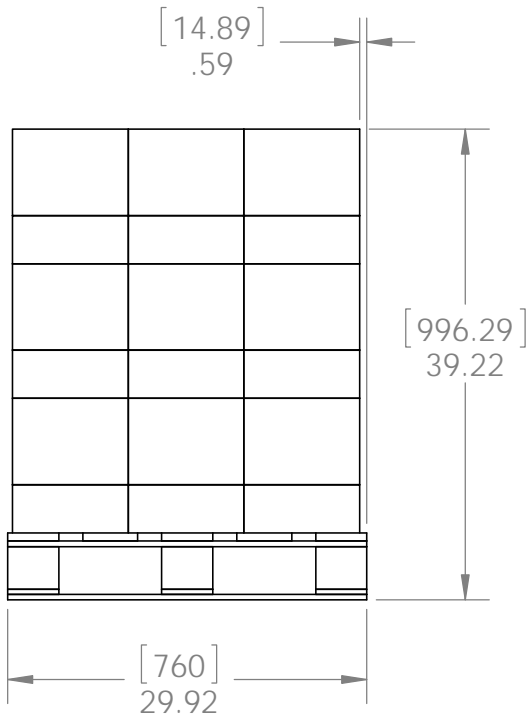
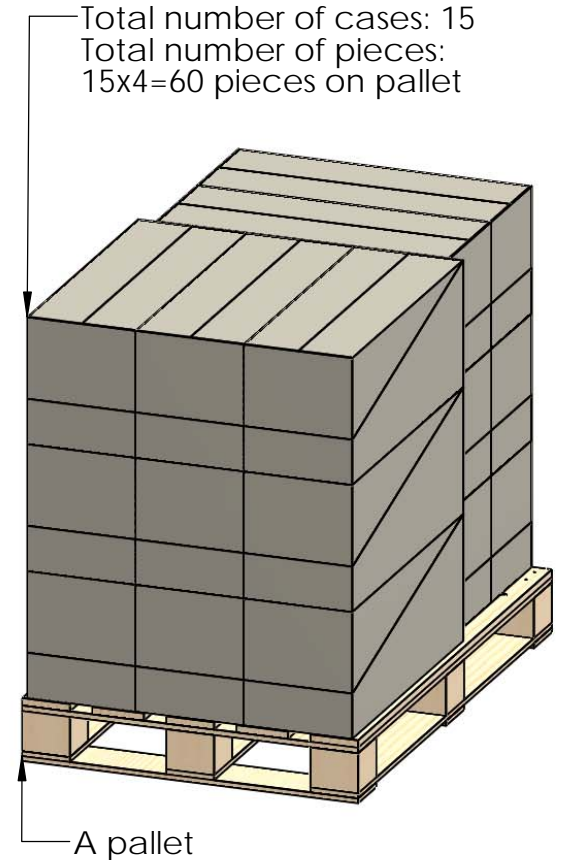
56669

Product & Packaging Specs

56669 Packing

Item #: Pallet packing

Item #: **56669** | **BHF-68-LS**
6-8" BEAM HANGER FLUSH
PALLET | **60 pcs**
SKU#: **56869** 
Weight: **344 lbs**
LOT# _____ Priority# _____ 



additional pallet packing instructions
plywood on top layer
strap to pallet
clear wrap around boxes

Weight: 344 LBS
Scale: 1:16
Last updated: 7/15/2015