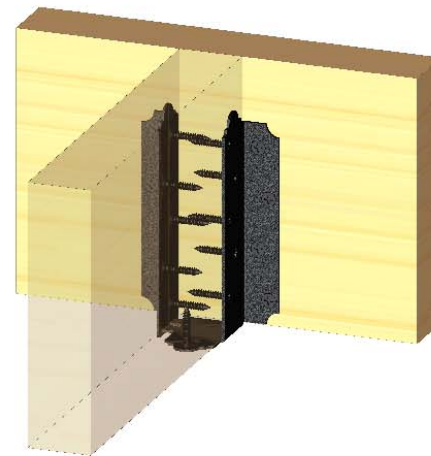
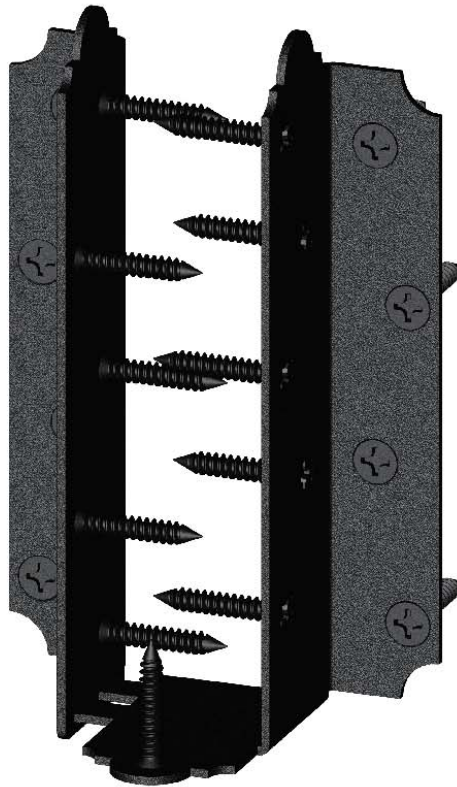


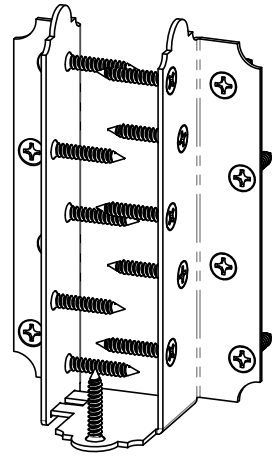
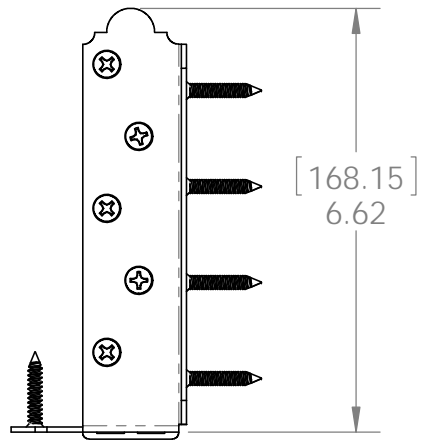
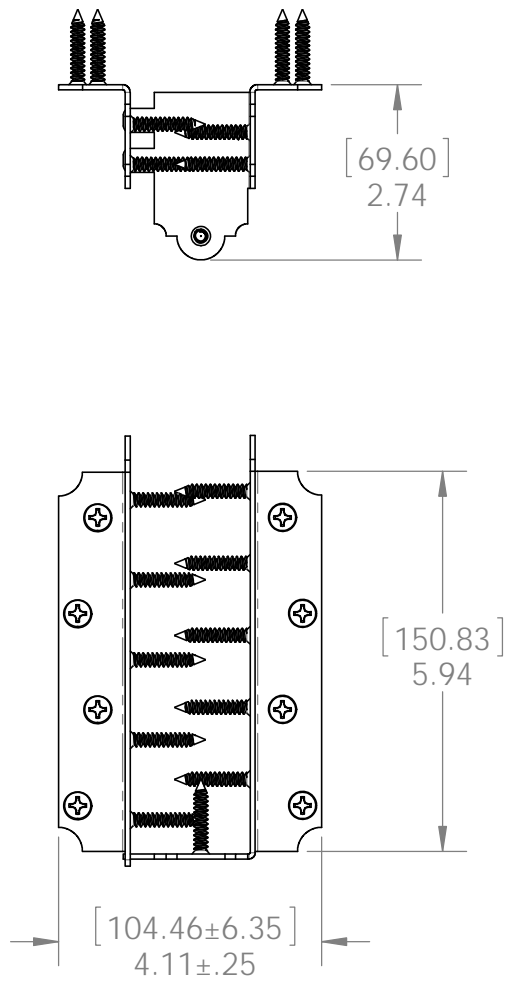
Installation Instructions, 56670

8-10" Joist Hanger Flush (JHF-810-LS)



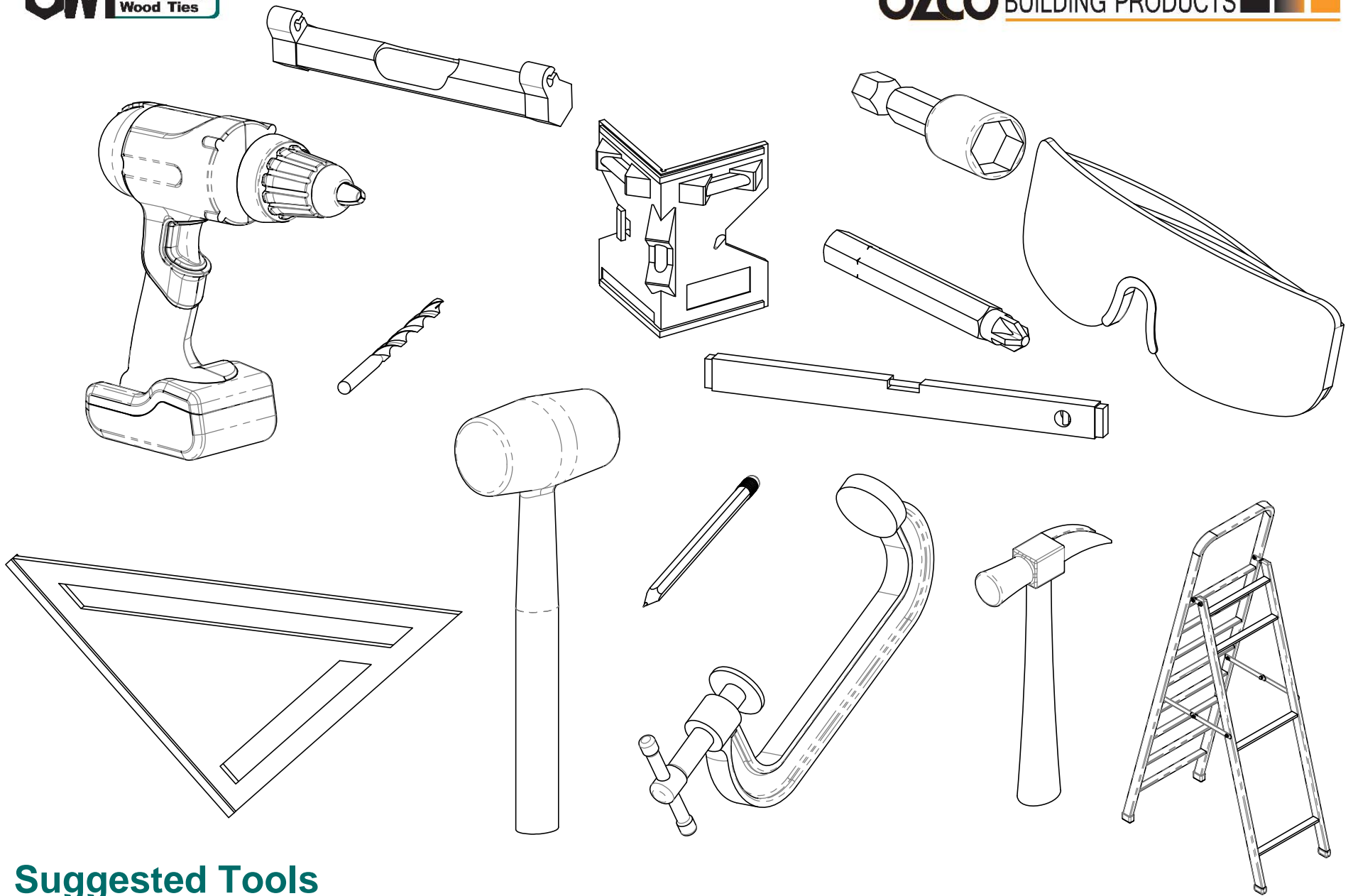
Typical Installation





56670

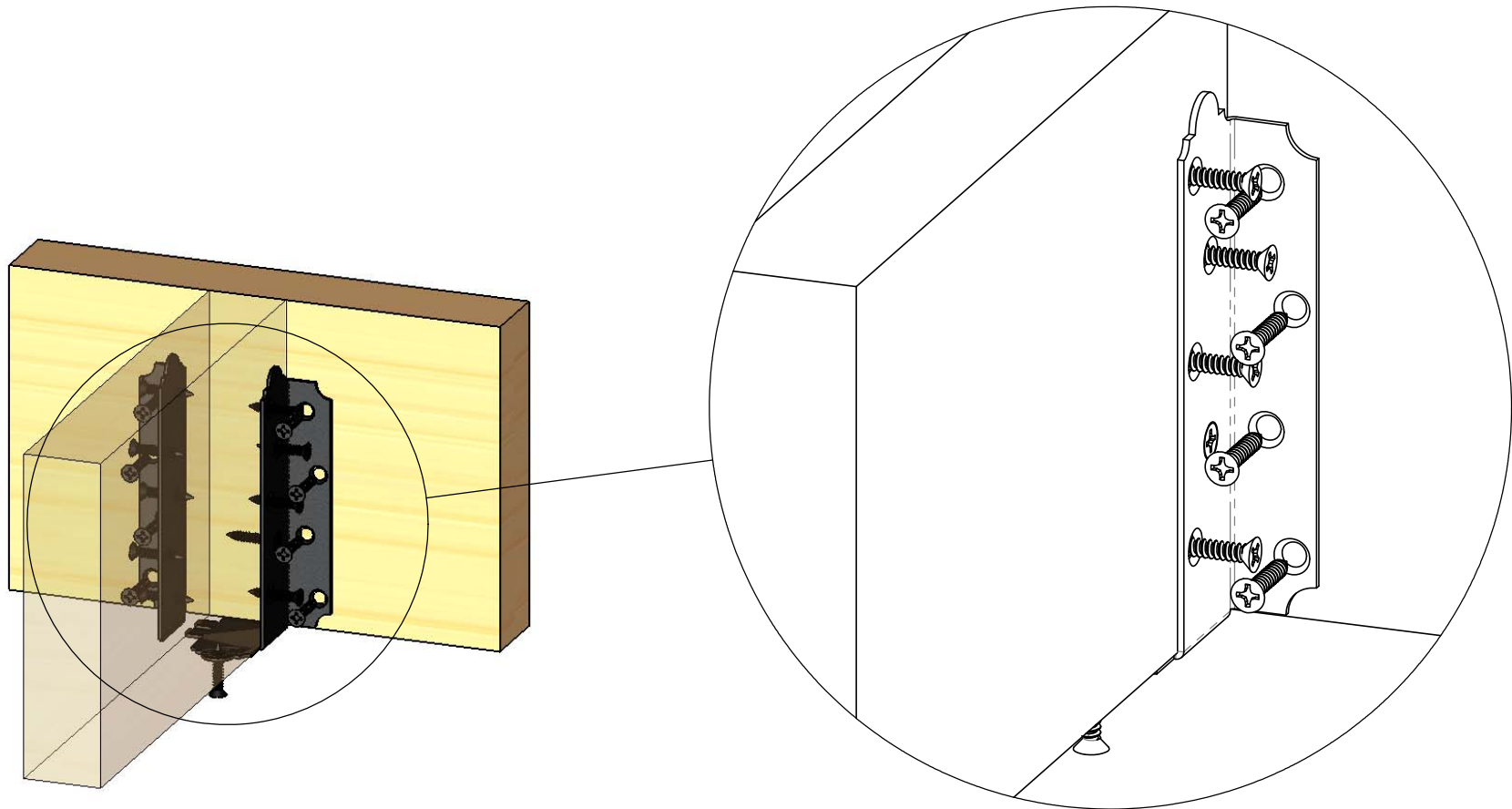
Installation Instructions, 56670



Suggested Tools

(others may be required)

Installation Instructions, 56670



Typical Installation & Basic Assembly