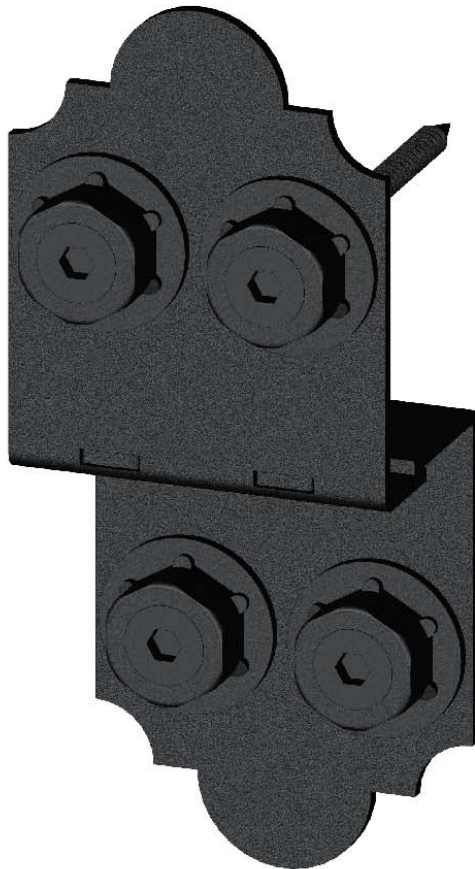
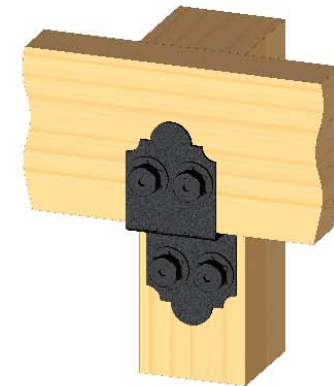
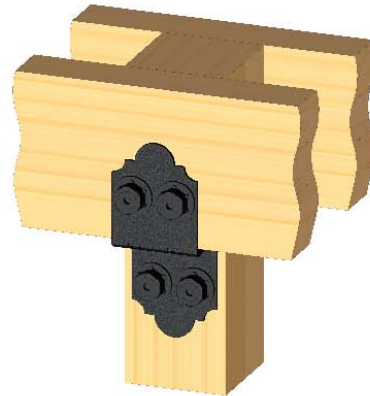


Installation Instructions, 56675

4" Post to Beam Laredo Sunset (P2B-LS-4)

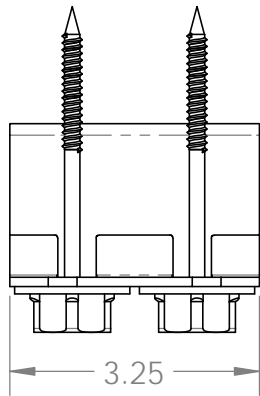


double beam installation
requires connectors on
both sides

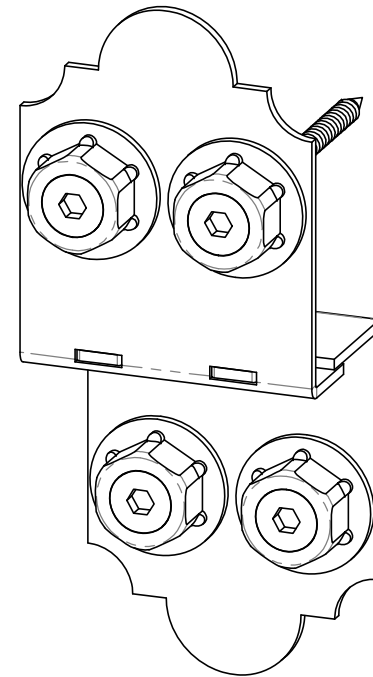
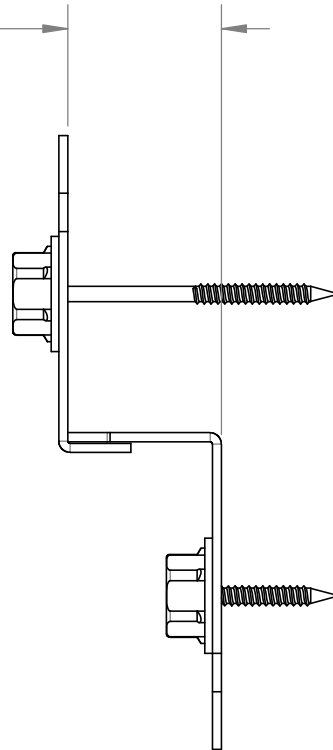
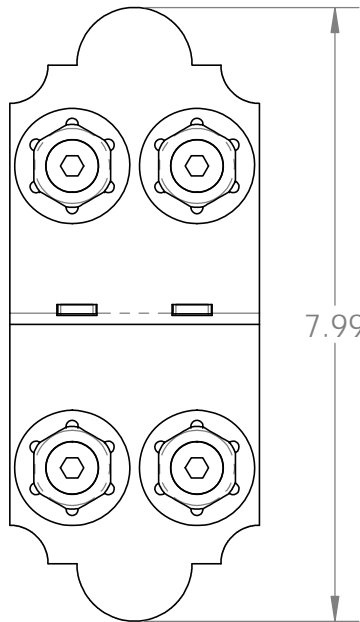


Typical Installations





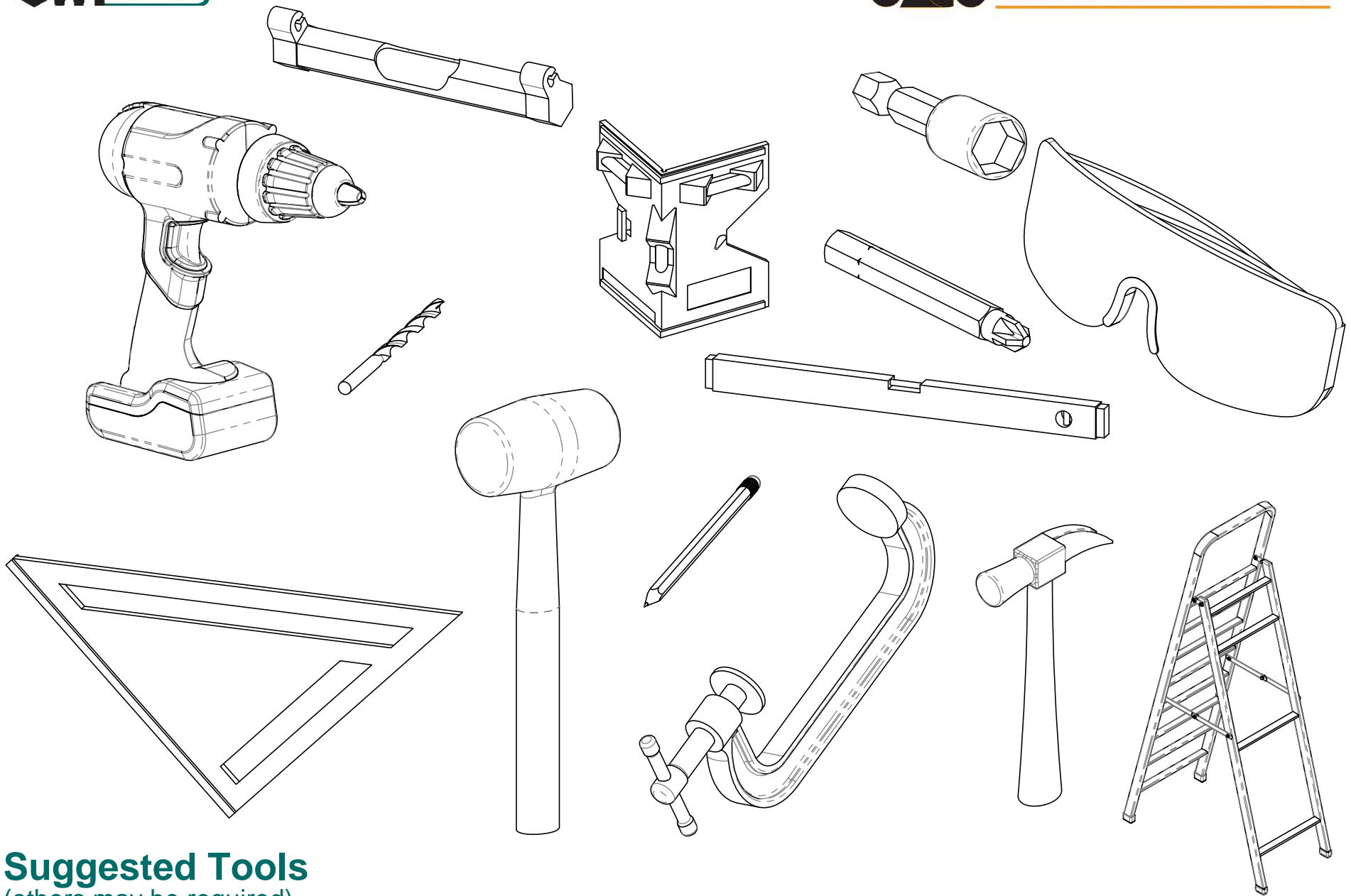
1.45 MIN
2.00 MAX



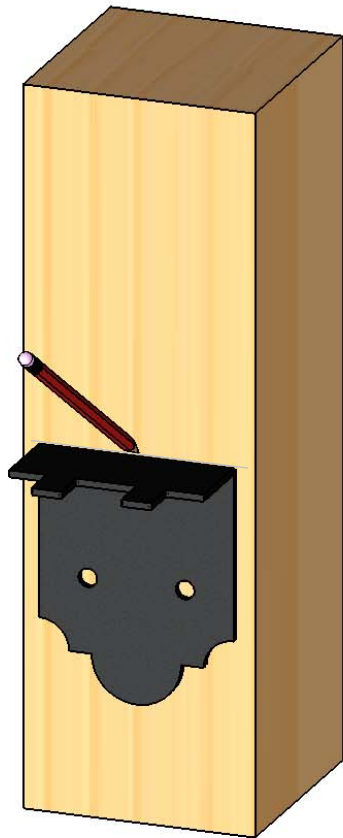
kit includes 2 assemblies

56675

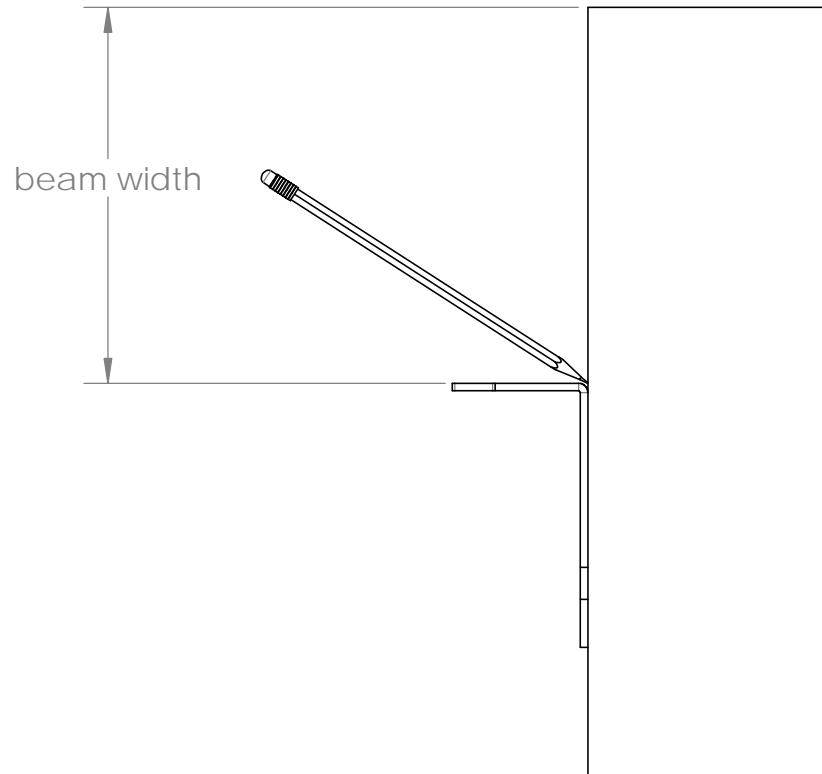
Installation Instructions, 56675



Suggested Tools
(others may be required)

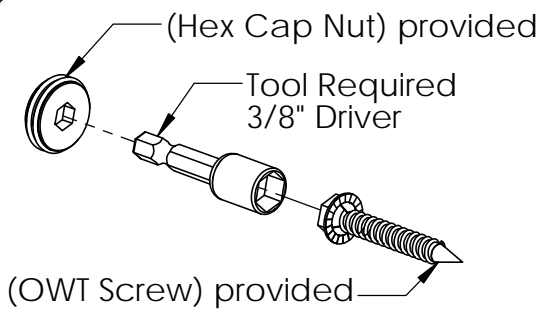
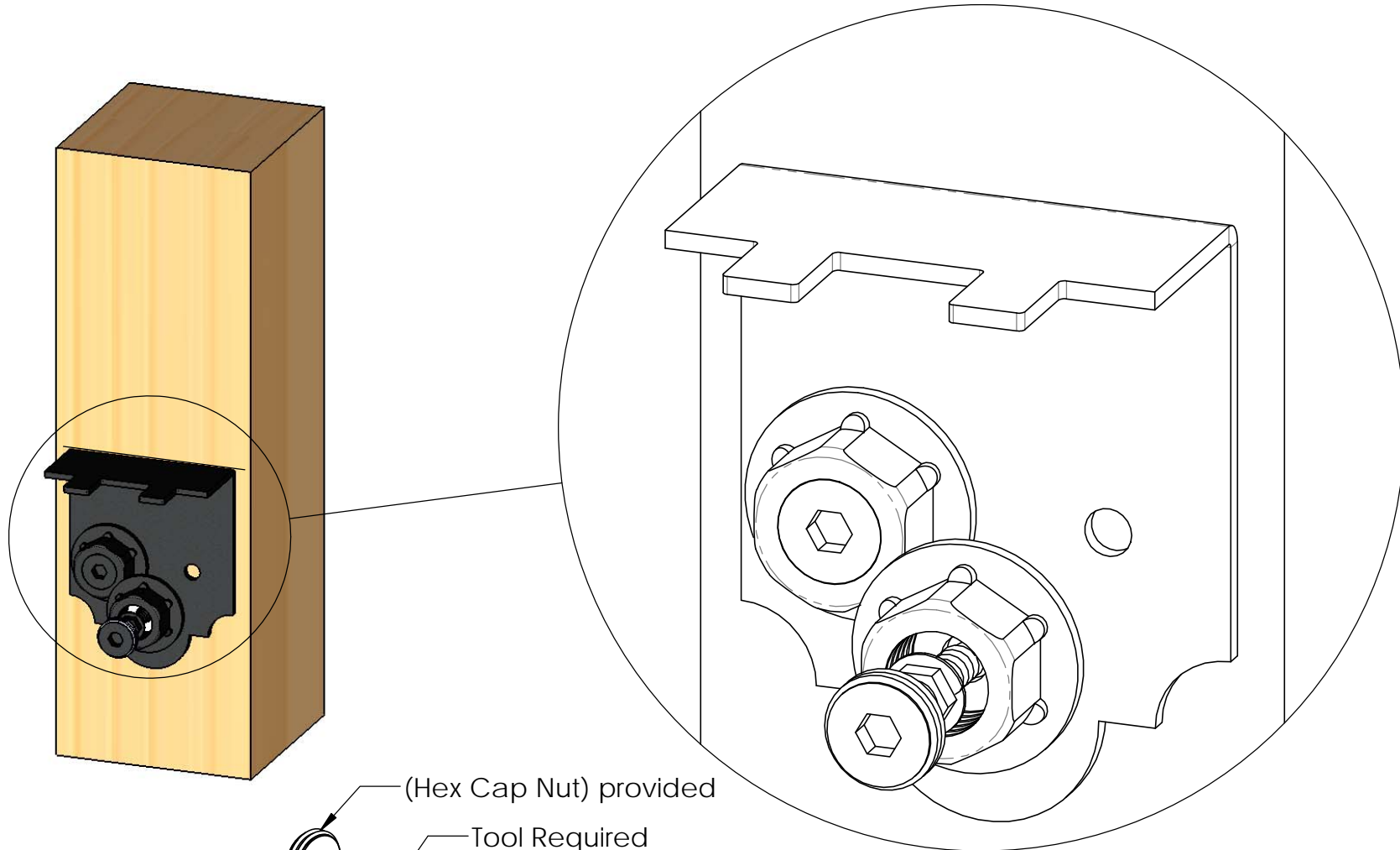


mark location
to mount ledge



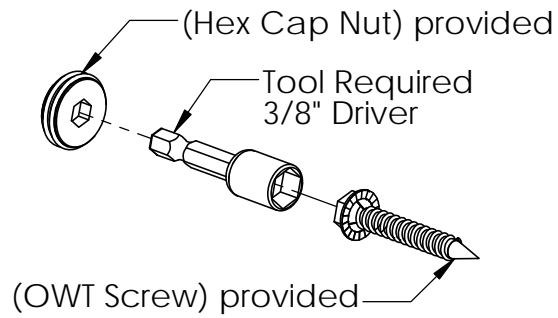
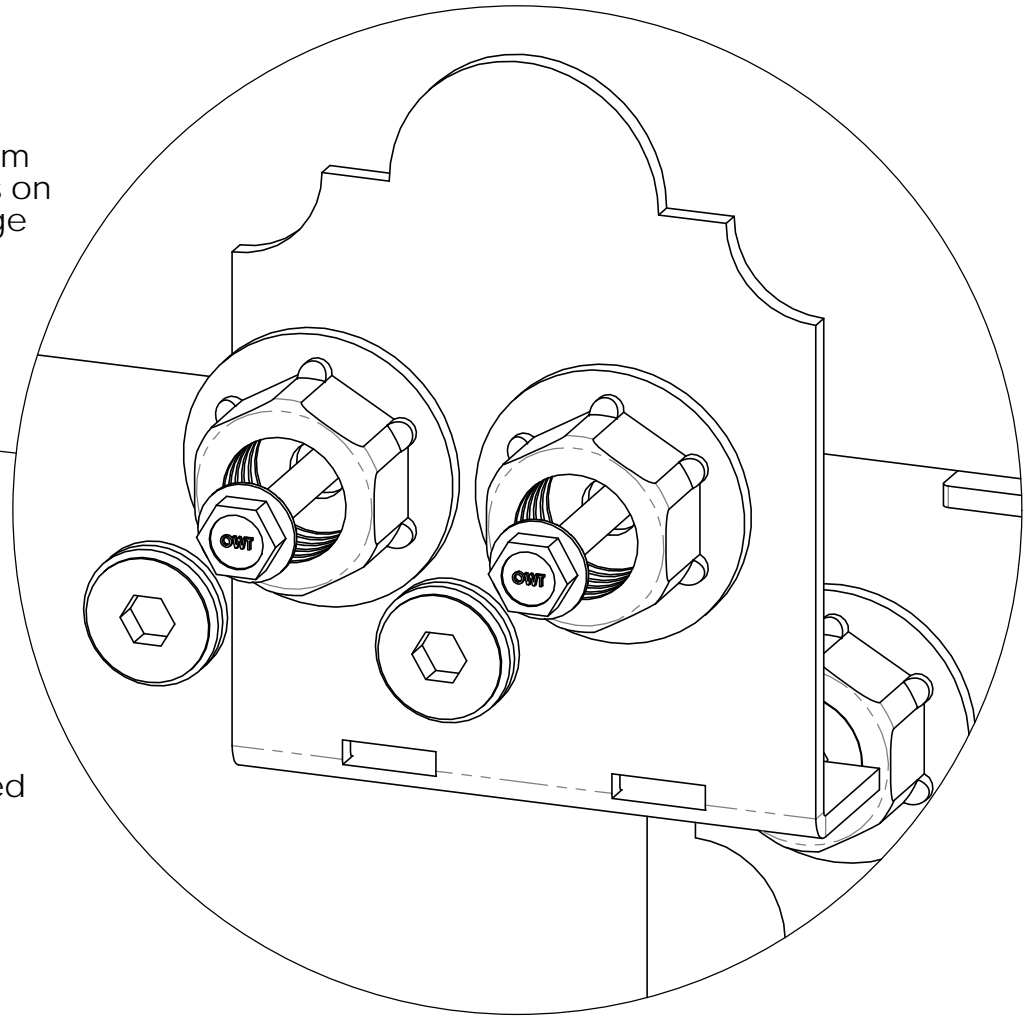
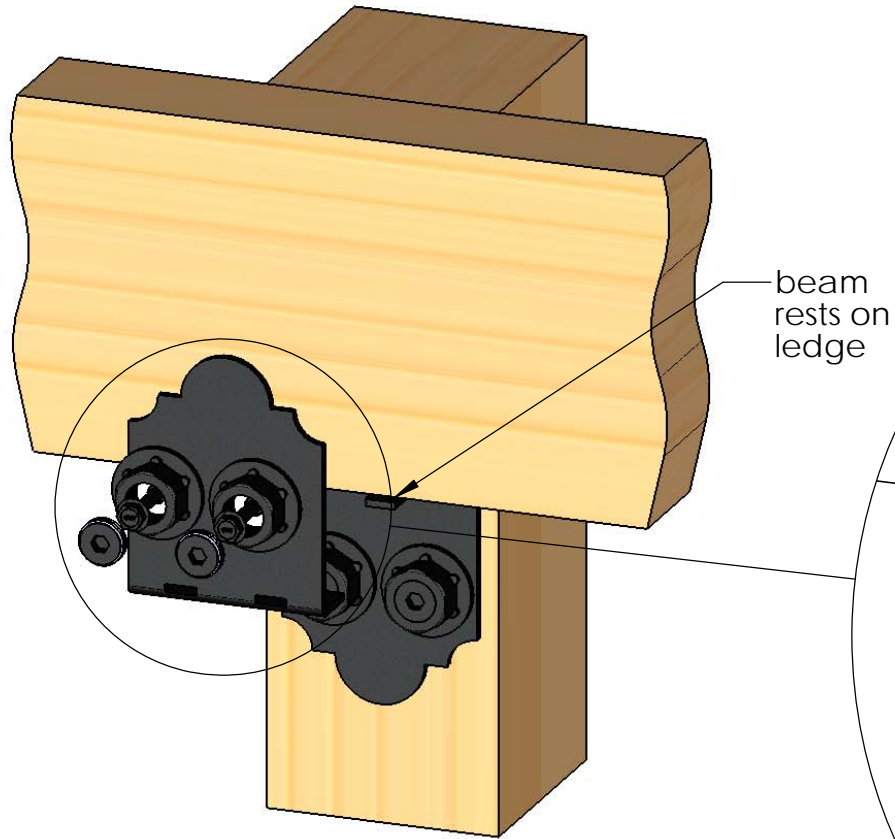
step 1

Installation Instructions, 56675



step 2

Installation Instructions, 56675



step 3

Installation Instructions, 56675