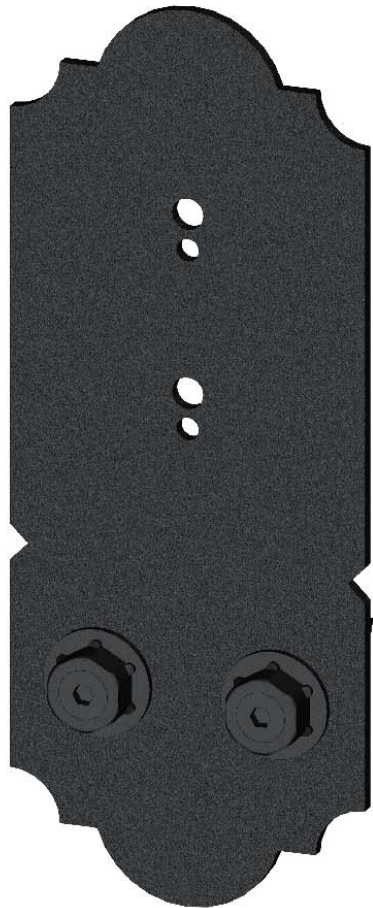


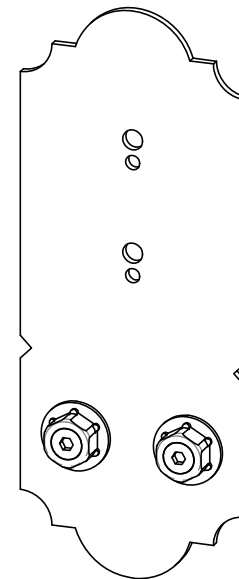
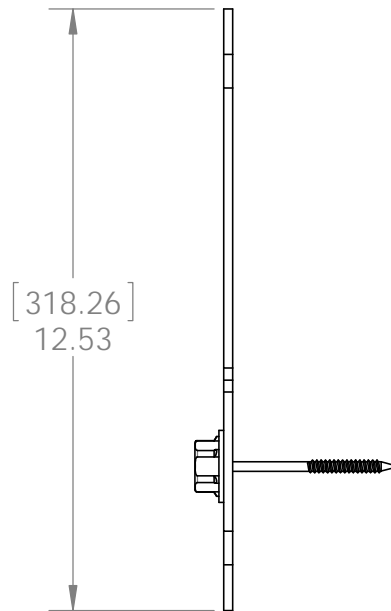
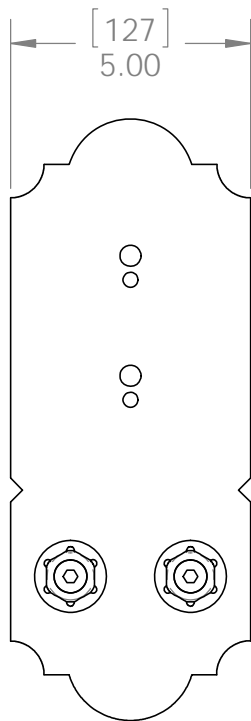
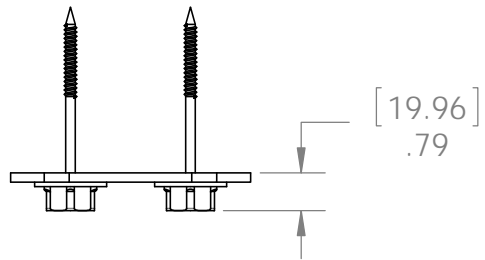
Installation Instructions, 56676

8" Post to Beam Flush (P2B-LS-8F)



Typical Installation

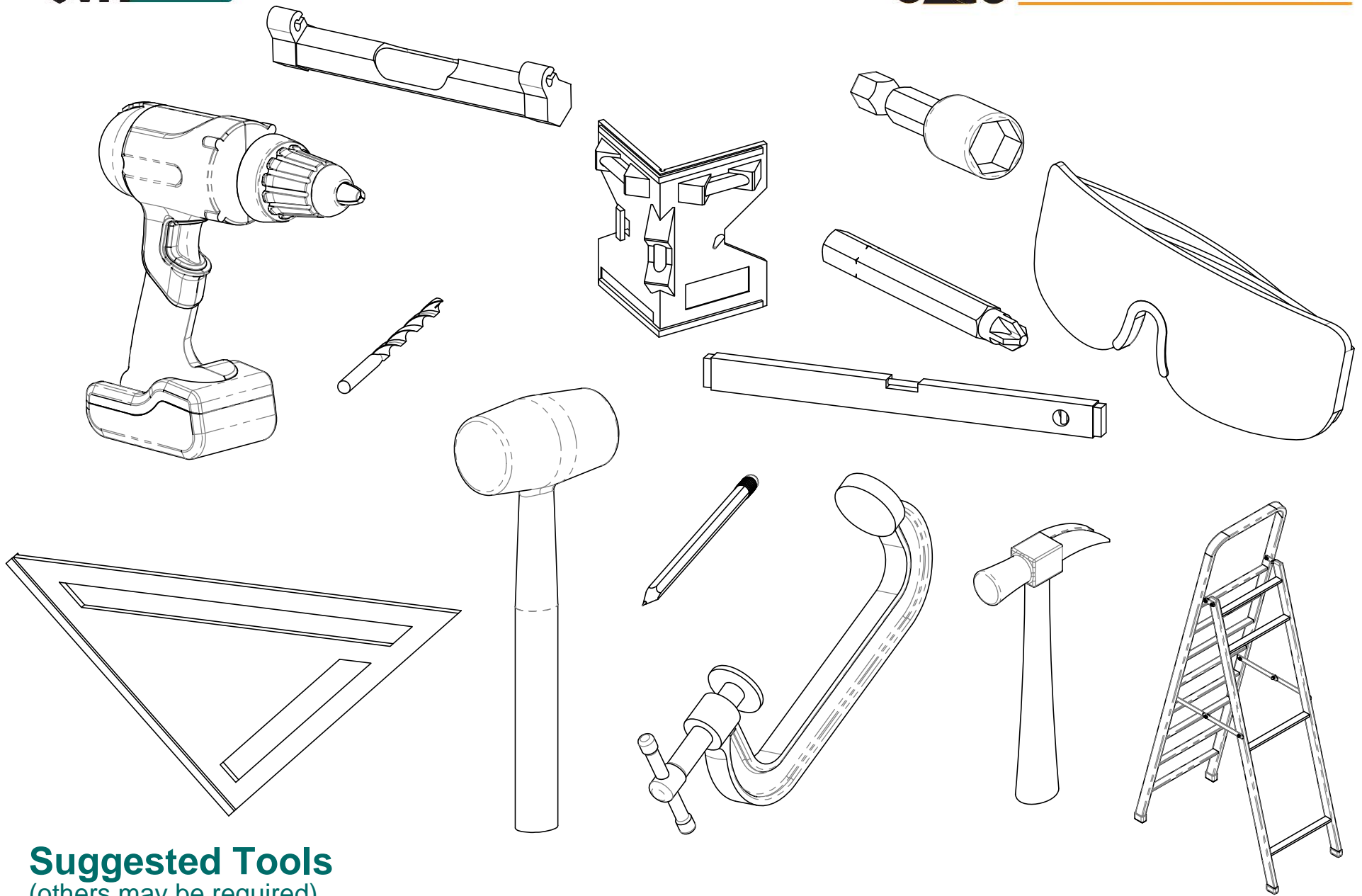




kit includes 2 assemblies

56676

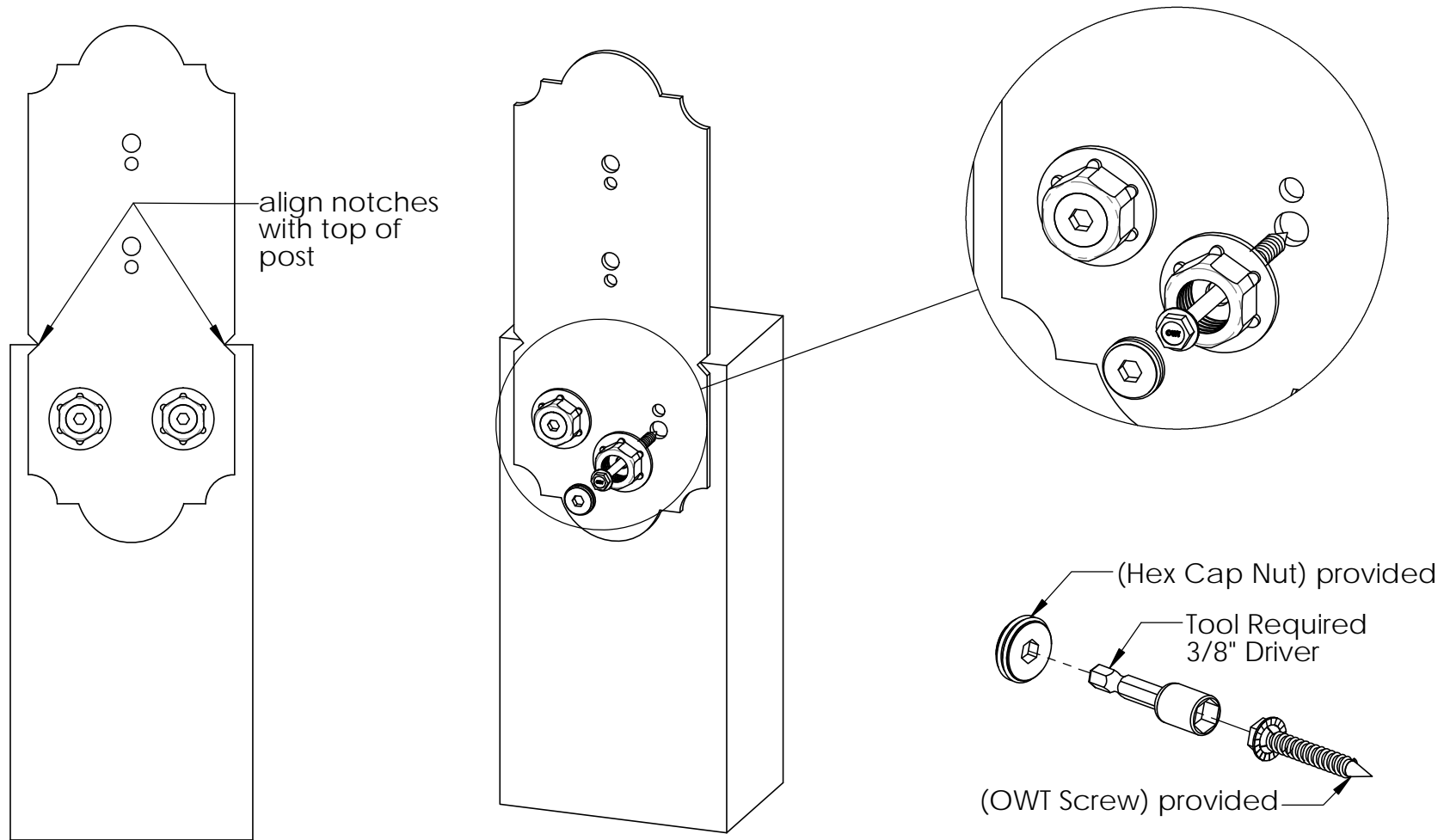
Installation Instructions, 56676



Suggested Tools

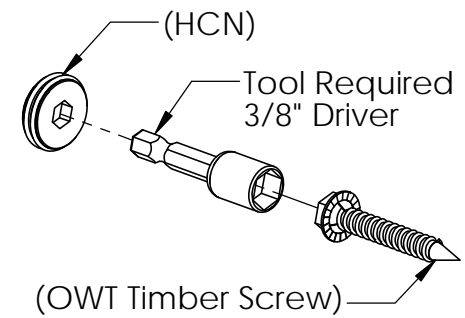
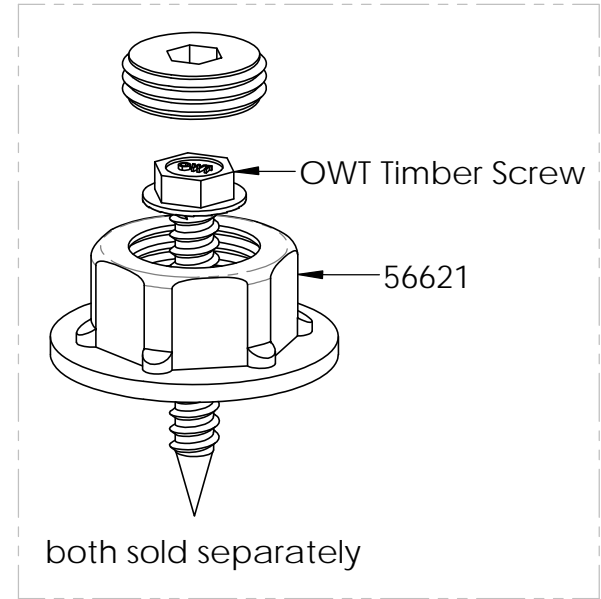
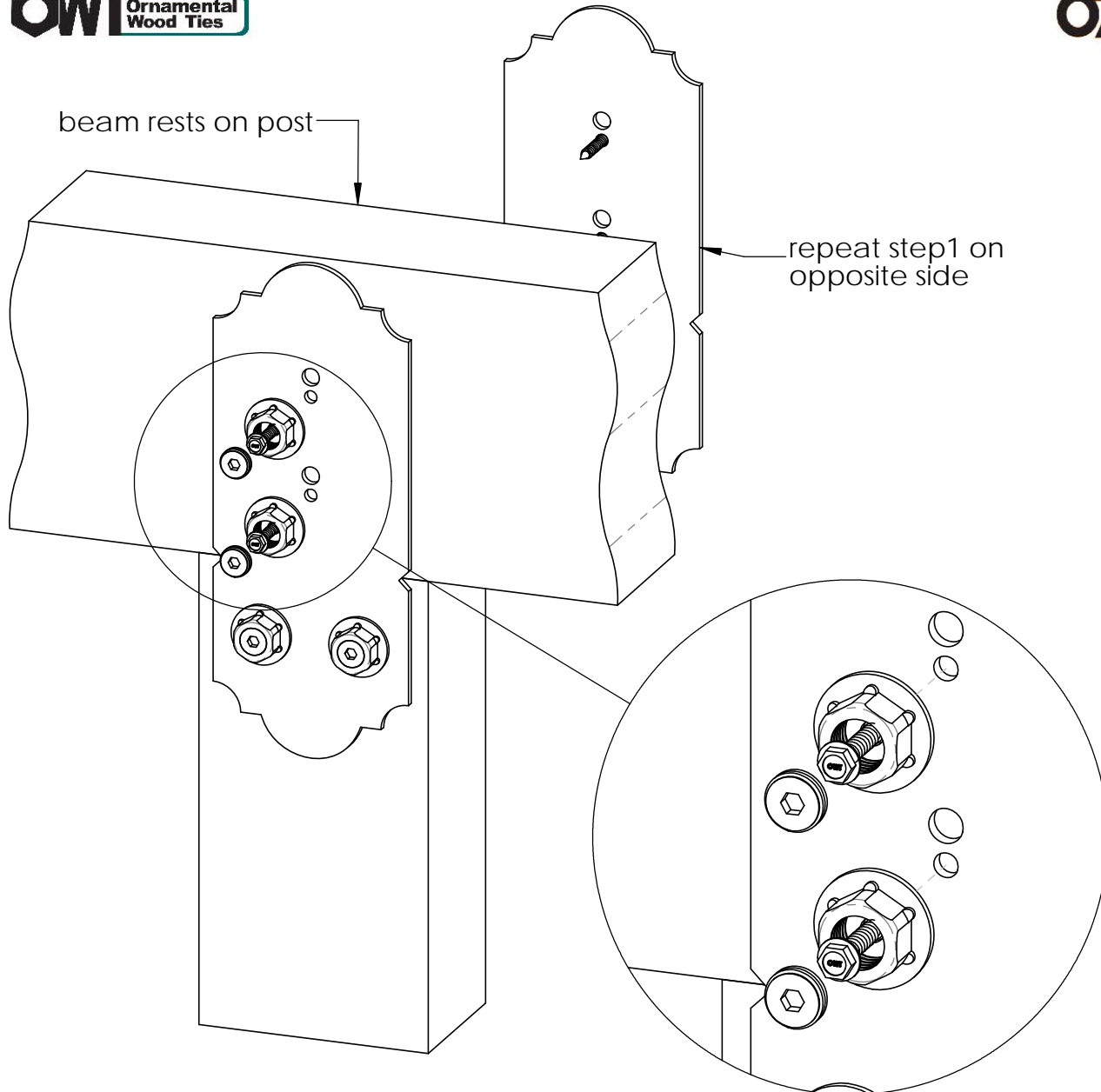
(others may be required)

Installation Instructions, 56676



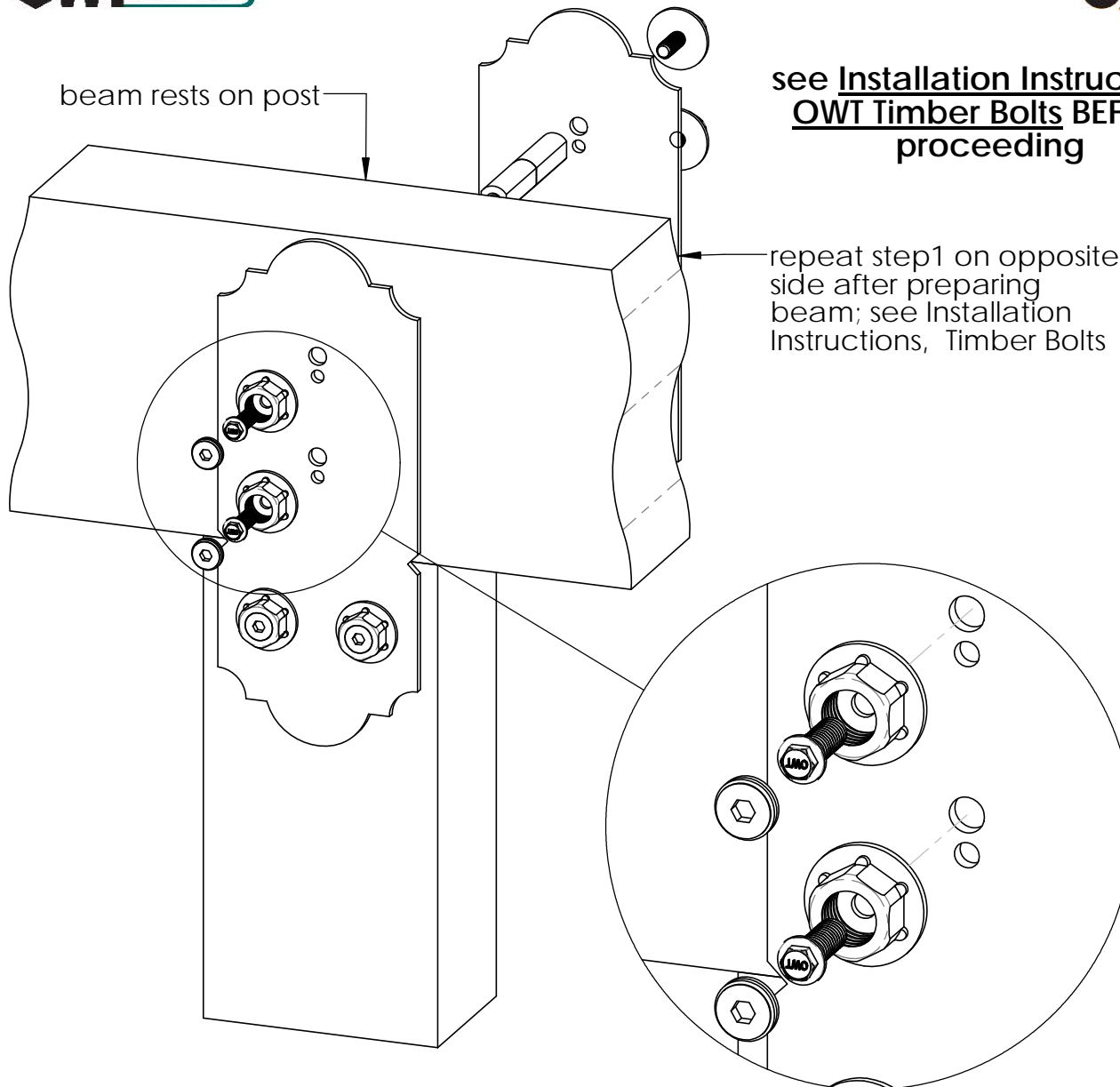
step 1

Installation Instructions, 56676

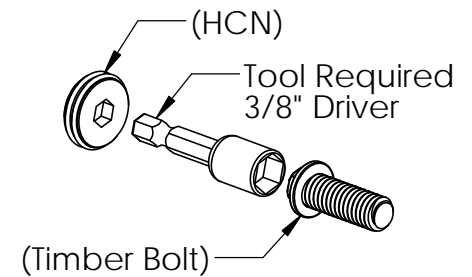


step 2 Timber Screws

Installation Instructions, 56676



see Installation Instructions, OWT Timber Bolts BEFORE proceeding



step 2 Timber Bolts

Installation Instructions, 56676