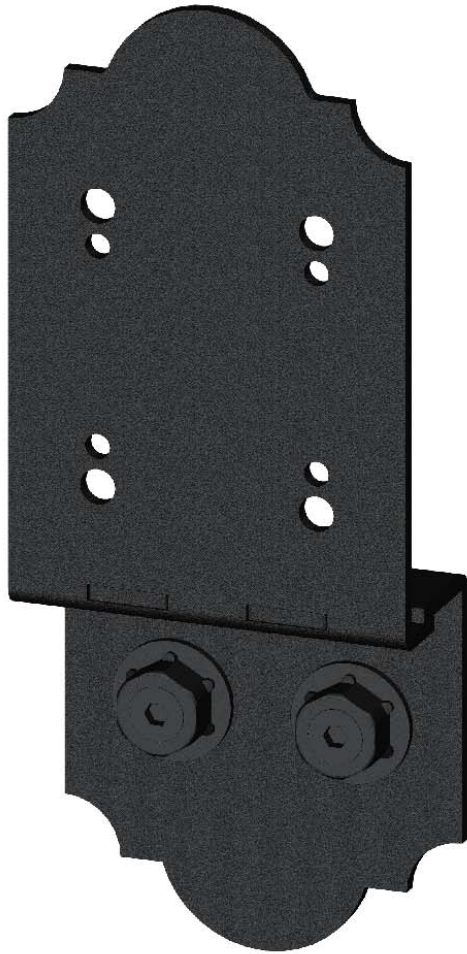


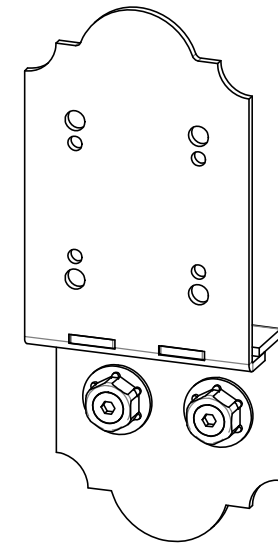
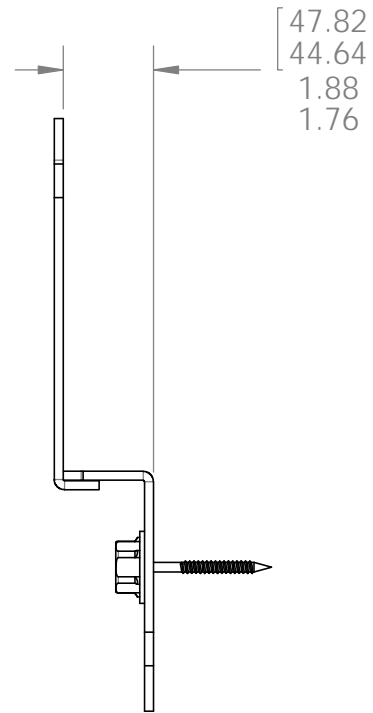
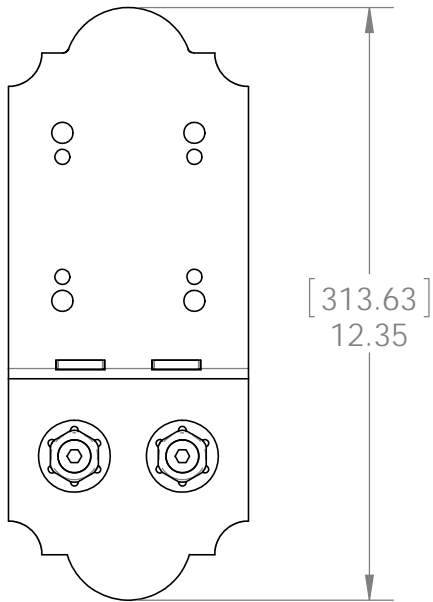
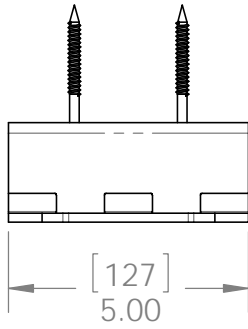
Installation Instructions, 56677

8" Post to Beam Coupler Laredo Sunset (P2B-SB-8)



Typical Installation

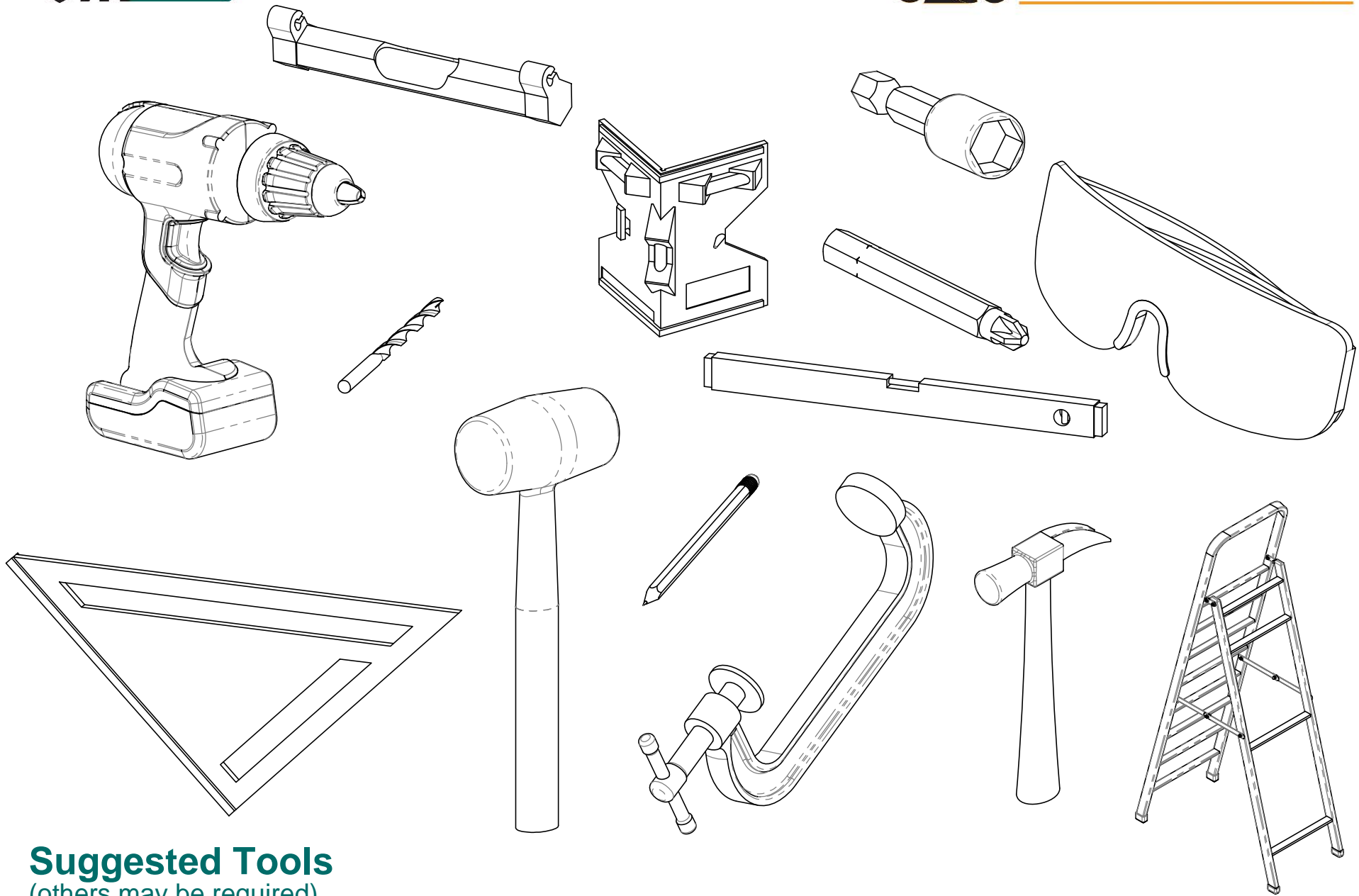




kit contains 2 assemblies

56677

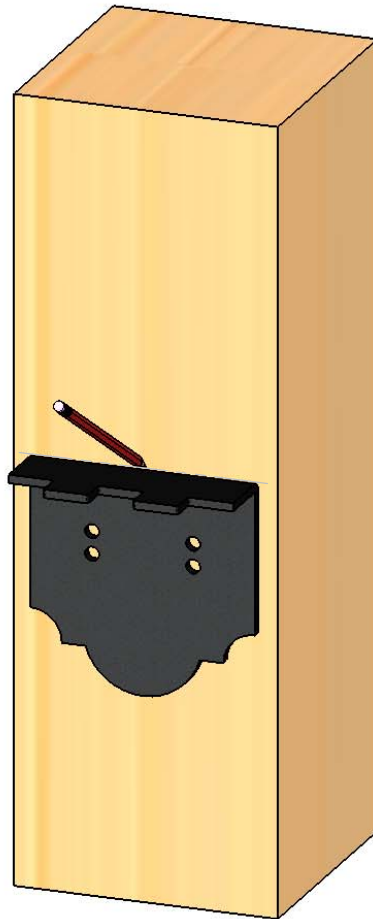
Installation Instructions, 56677



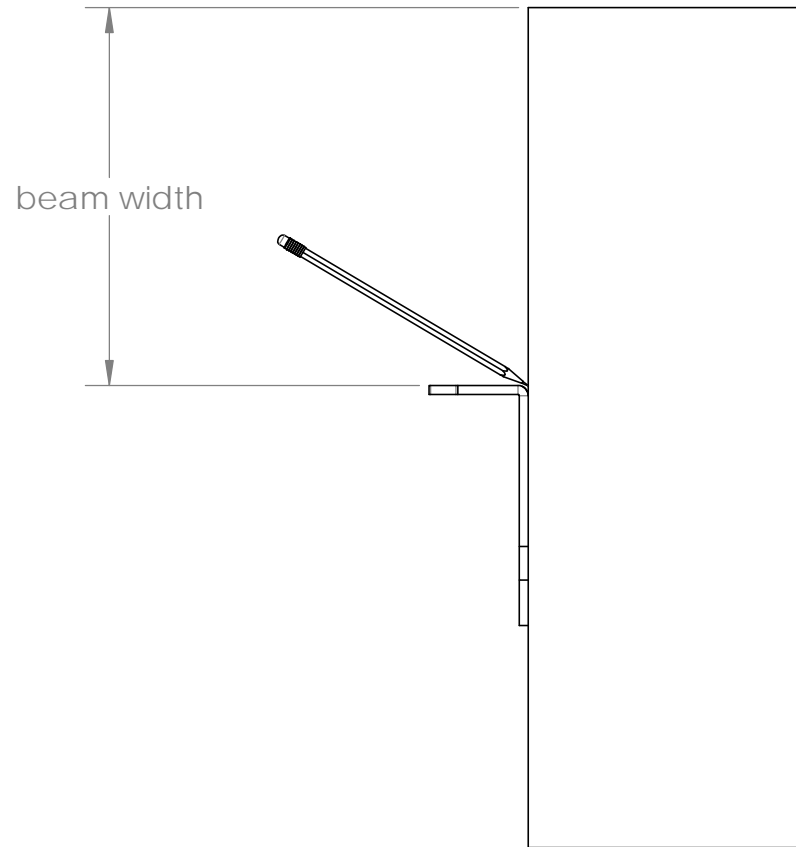
Suggested Tools

(others may be required)

Installation Instructions, 56677

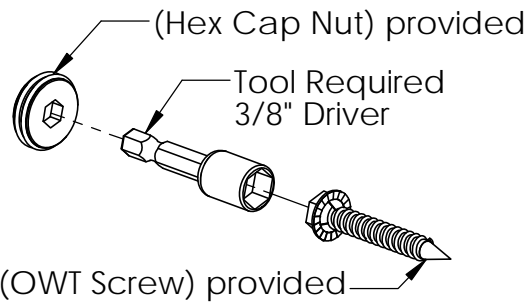
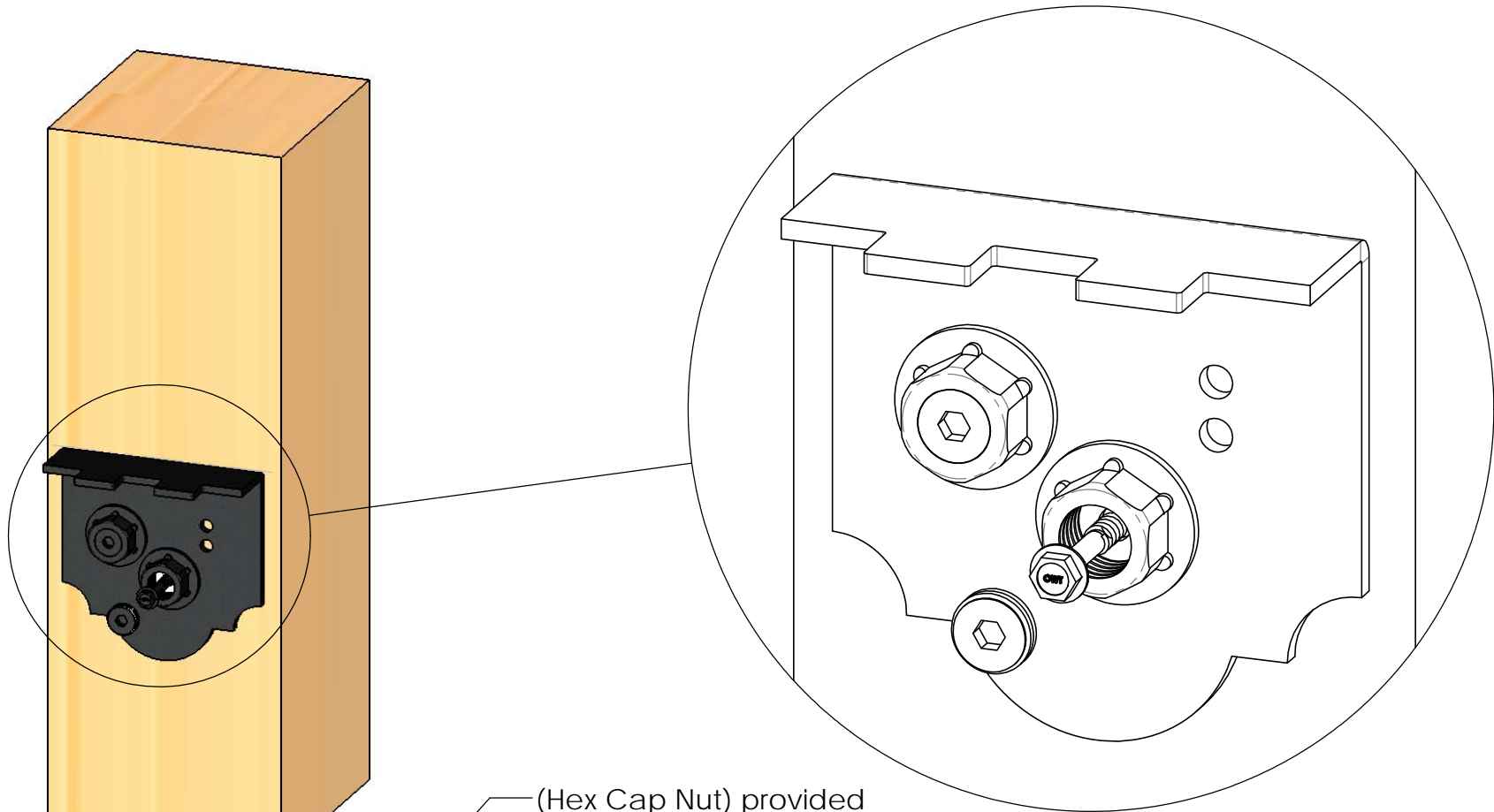


mark location
to mount ledge



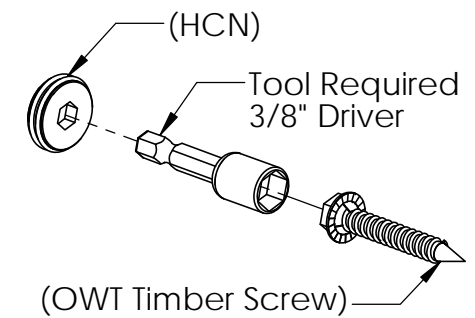
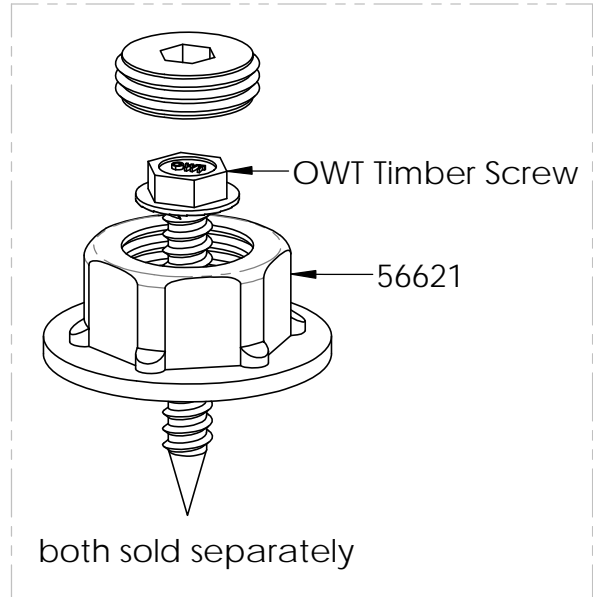
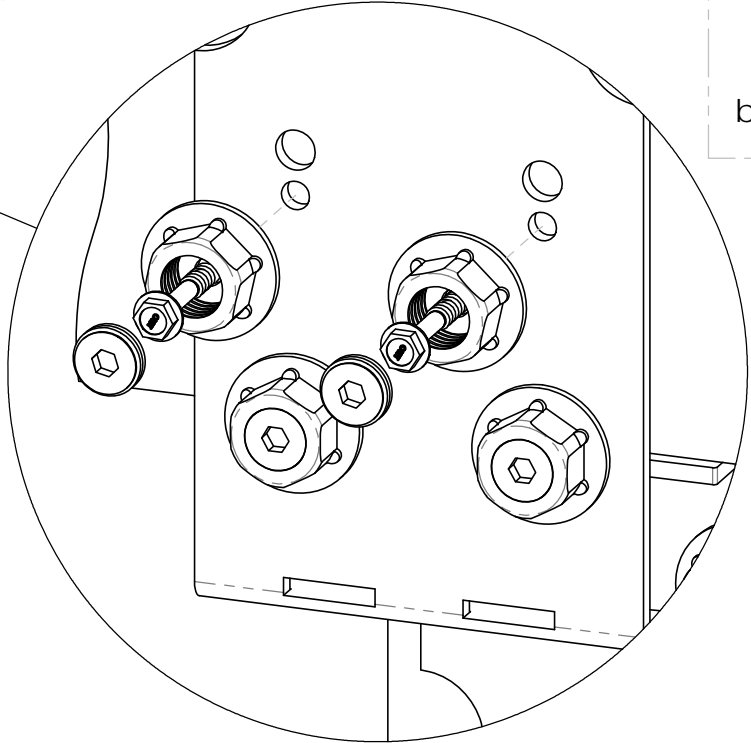
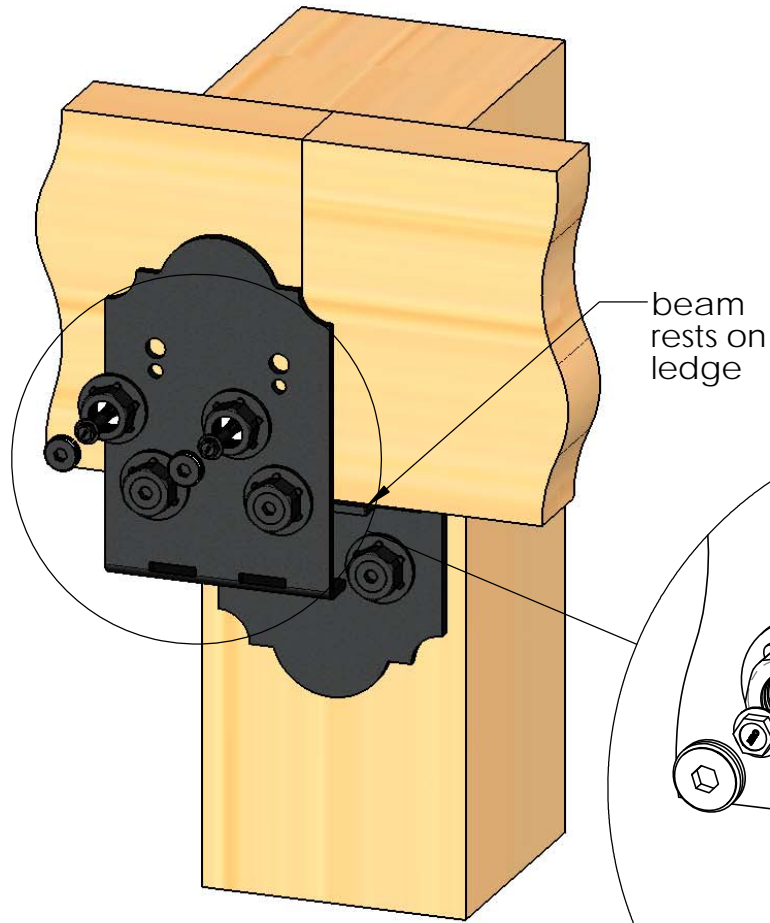
step 1

Installation Instructions, 56677



step 2

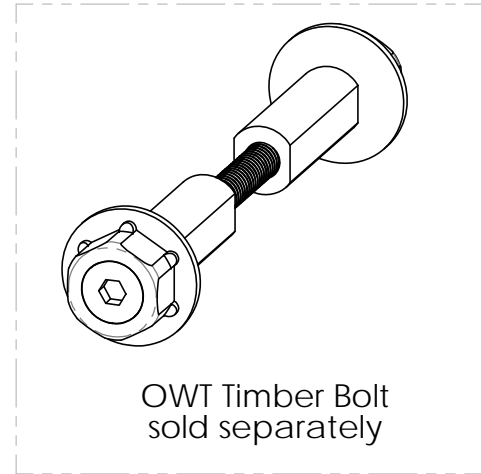
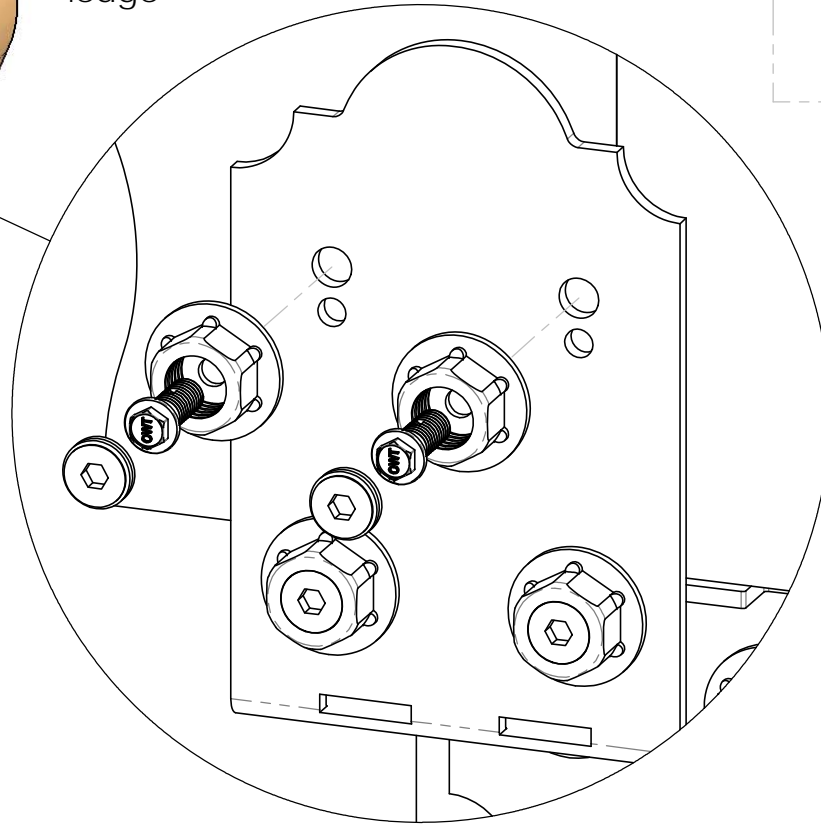
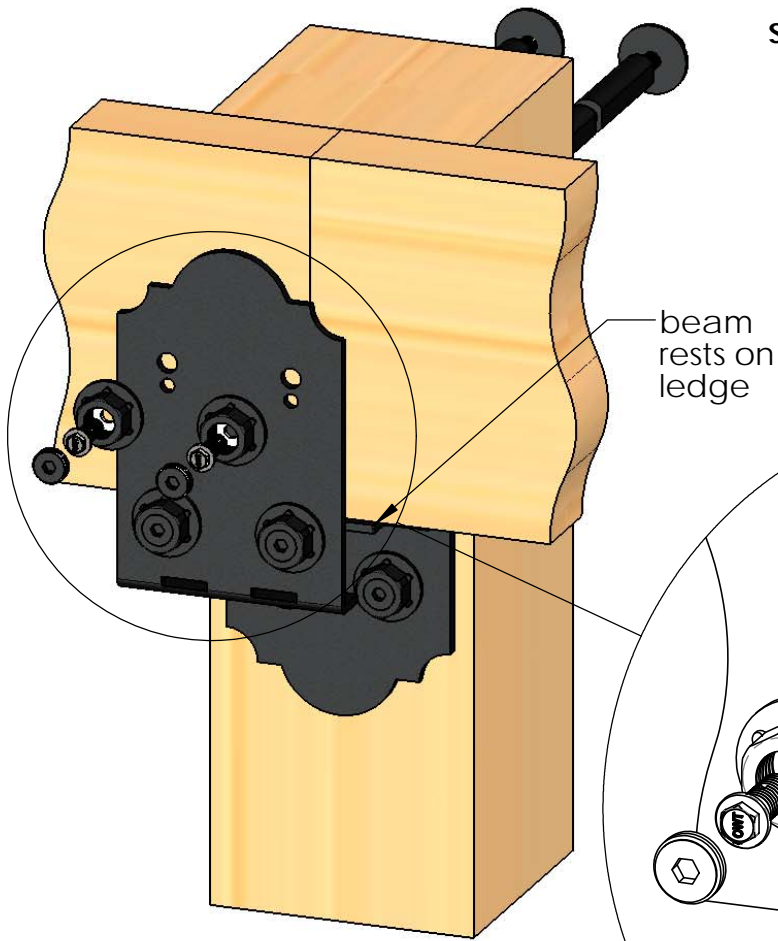
Installation Instructions, 56677



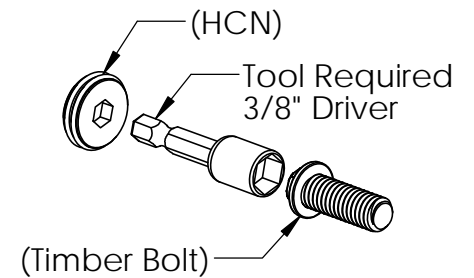
step 3 Timber Screws

Installation Instructions, 56677

see Installation Instructions,
OWT Timber Bolts BEFORE
proceeding



OWT Timber Bolt
sold separately



step 3 Timber Bolts

Installation Instructions, 56677