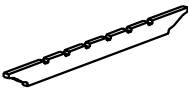



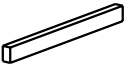


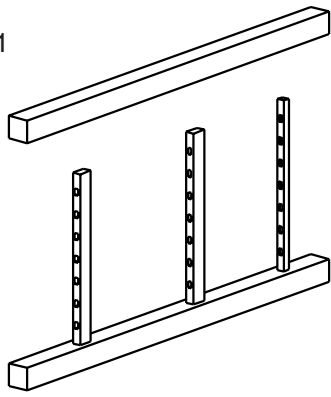


Vineyard - Parts List

- All parts are made in the USA -

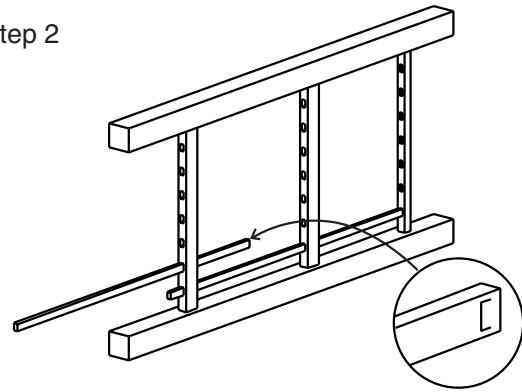
	Qty.	Description
	2	2" x 6" x 88 1/2" Top Rafter
	6	2" x 3 1/2" x 54" Top Cross Member
	4	4" New England With Peg
	14	7/8" x 1 1/2" x 71 3/4" Notched Picket
	4	2" x 3 1/2" x 47 7/8" Routed Rail
	2	1 3/4" x 1 3/4" x 47 7/8" Routed Rail
	4	4" x 4" x 96" Post

Step 1



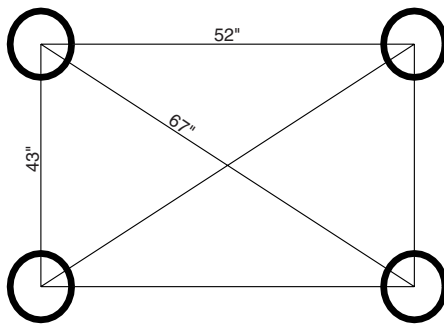
Lay one Post on a clean surface. Insert two 2" x 3 1/2" Rails into the holes provided. Insert a 1 3/4" x 1 3/4" Rail into the hole provided with holes facing the other rails.

Step 2



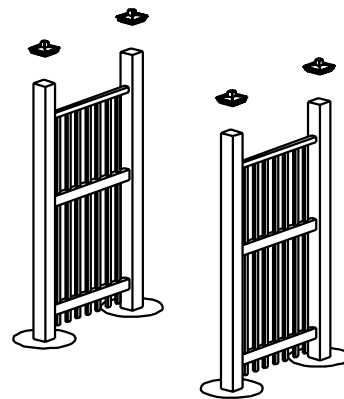
Slide the Pickets through the holes in the Rails with the notch at the leading end. Lock the notch in the 1 3/4" x 1 3/4" Rail.

Step 3



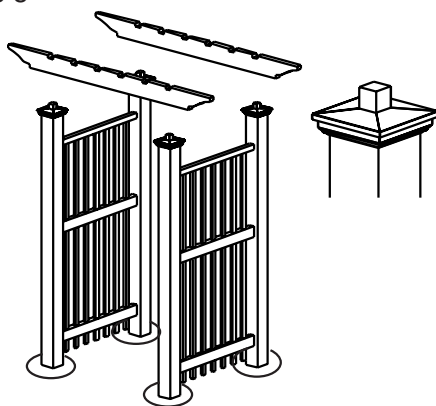
Dig four (4) holes approximately 10" round and 12" deep. The holes should be spaced apart as shown in the diagram above.

Step 4



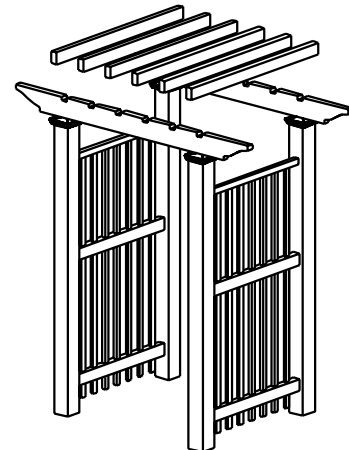
Put the assembly into the holes as shown and place the provided Caps onto the top of the posts as shown. PVC cement (not included) may be used to secure the caps onto the posts.

Step 5



Place the Top Rafters on the pergola sides as shown.

Step 6



Place the Top Cross Members on top of the Rafters in the provided slots and lock them into place. Fill the holes with cement and make sure that pergola is level.