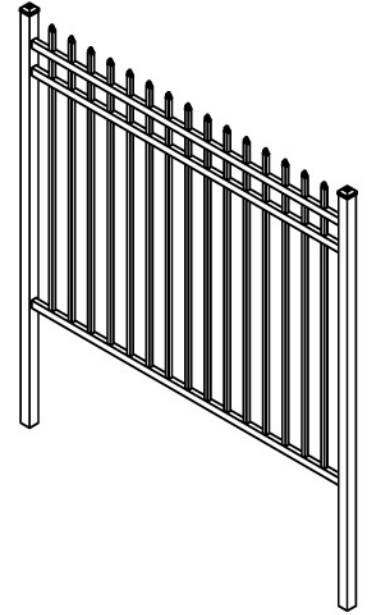
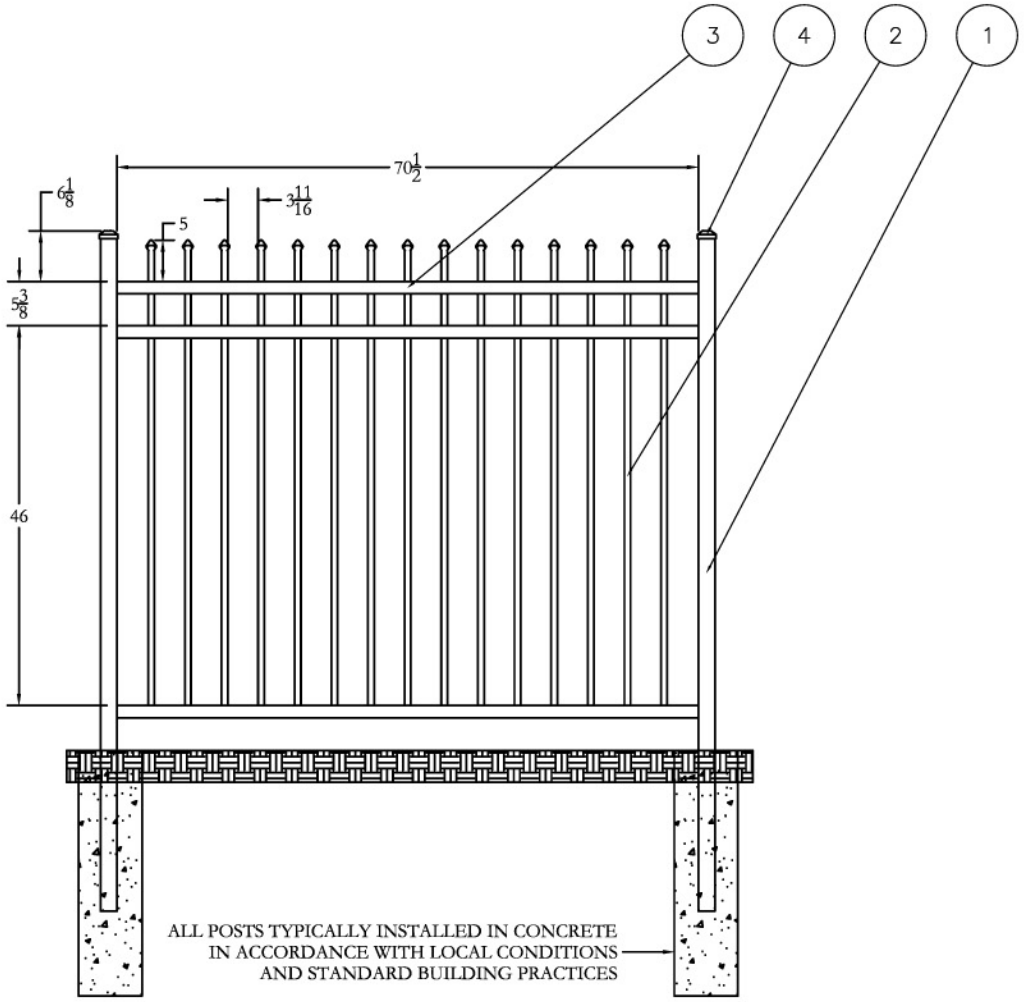


Parts List		
ITEM QTY	NAME	DESCRIPTION
1 2	R2UBUCE	82" POST
2 15	R0UBUCP	80" PICKET
3 3	T1SUPS	15 HOLE STRINGER
4 2	JCP2	POST CAP

ZONE	REV	REVISIONS		DATE	APPROVED
		DESCRIPTION			
	A	INITIAL RELEASE			
		ADD 15TH PICKET, CHG STRINGER MATERIAL, CHG STRINGER LENGTH, REMOVE SCREWS, UPDATE PARTS LIST		7-27-2010	SR



ALL POSTS TYPICALLY INSTALLED IN CONCRETE
IN ACCORDANCE WITH LOCAL CONDITIONS
AND STANDARD BUILDING PRACTICES

Jerith[®]
Manufacturing Co., Inc.
Philadelphia, PA 19154
(800)344-2242

DRAWING:
BUCKINGHAM FENCE
60" HEIGHT

© 2005. This drawing may not be altered
or reproduced without the permission of
Jerith Manufacturing Co., Inc.

SIZE D	DWG NO. RG60UBSN	REV A
SCALE	DATE 7-27-2010	SHEET 1 OF 1