

PART #	DESCRIPTION	FINISH	X DIM.
GSL-5-25POST	2.5" PADLOCK GATE LATCH - GALV.	HDG	2.65"
GSL-5-25POST-BK	2.5" PADLOCK GATE LATCH- BLACK	Z/P BLACK PC	2.65"
GSL-5-30POST	3" PADLOCK GATE LATCH - GALV.	HDG	3.15"
GSL-5-30POST-BK	3" PADLOCK GATE LATCH- BLACK	Z/P BLACK PC	3.15"
GSL-5-40POST	4" PADLOCK GATE LATCH - GALV.	HDG	4.15"
GSL-5-40POST-BK	4" PADLOCK GATE LATCH- BLACK	Z/P BLACK PC	4.15"

PACKAGING INSTRUCTIONS

BOXED SET TO INCLUDE:

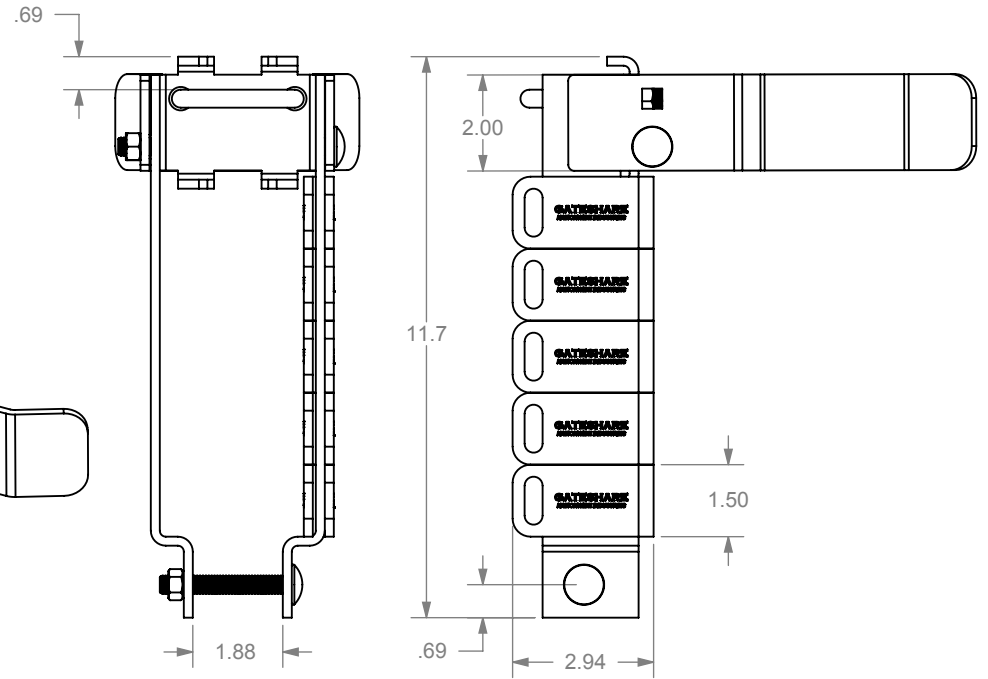
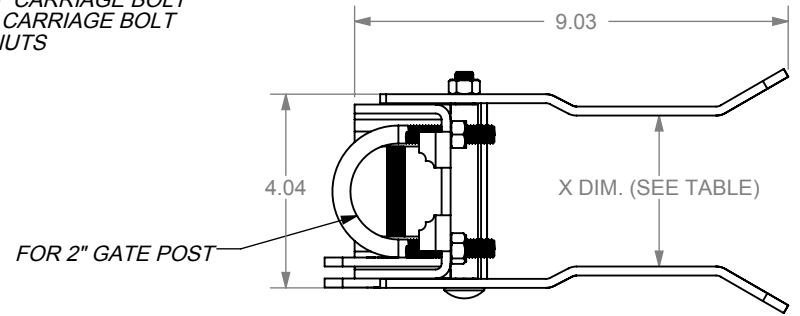
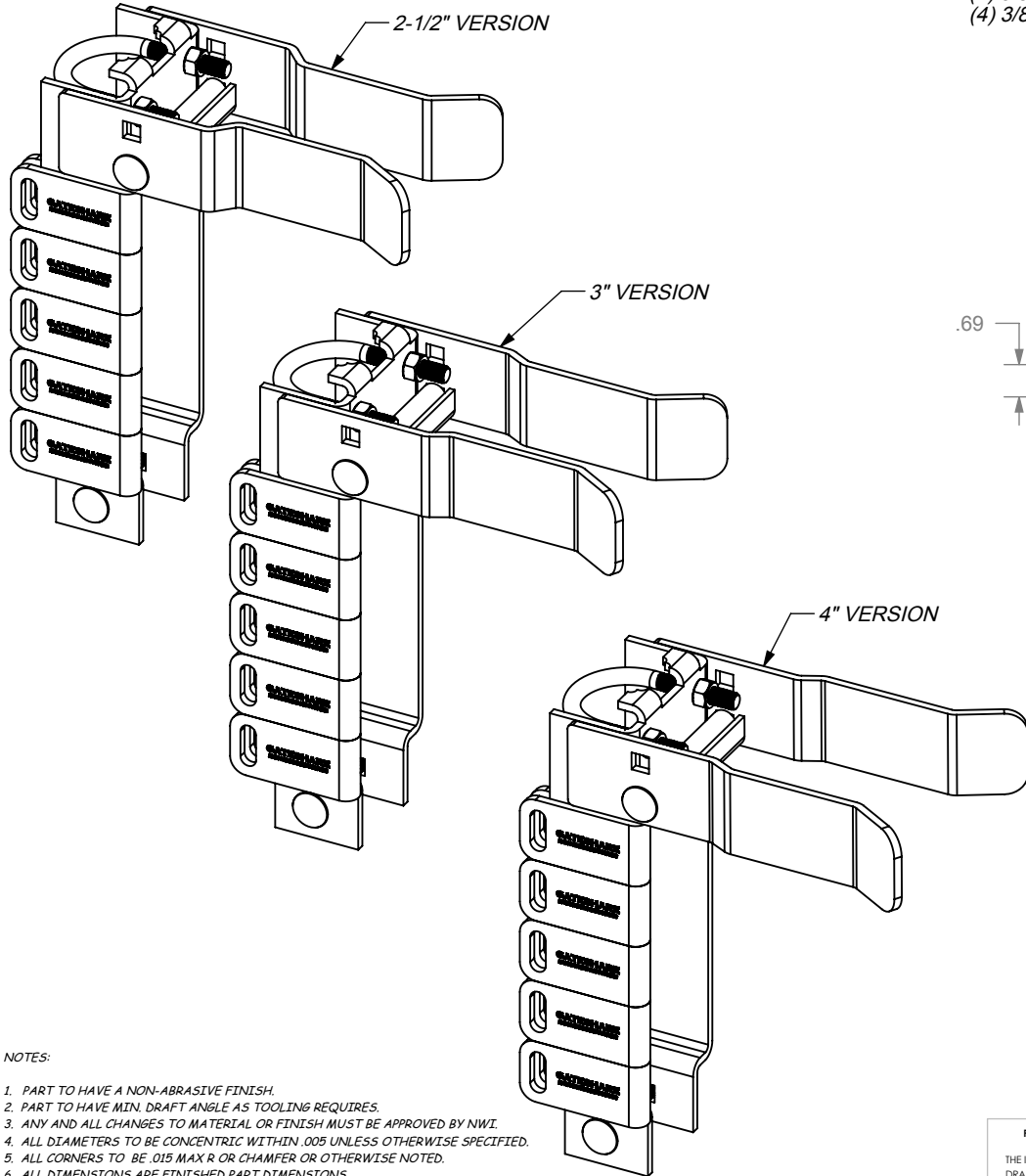
- (1) LATCH BRACKET ASSEMBLY
- (1) LATCH ARM ASSEMBLY
- (5) LOGO LOCK TABS

(1) INSTRUCTION SHEET

(1) POLYBAGGED FASTENER SET, INCLUDING:

- (1) 3/8-16 X 3 U-BOLT
- (1) 3/8-16 X 2.75" CARRIAGE BOLT
- (1) 3/8-16 X 4.5" CARRIAGE BOLT
- (4) 3/8-16 HEX NUTS

ECR/DCR		REV.		REVISIONS		DATE	APPD
				DESCRIPTION			
-	-	-	-	INITIAL RELEASE		08-23-16	-



NOTES:

1. PART TO HAVE A NON-ABRASIVE FINISH.
2. PART TO HAVE MIN. DRAFT ANGLE AS TOOLING REQUIRES.
3. ANY AND ALL CHANGES TO MATERIAL OR FINISH MUST BE APPROVED BY NWI.
4. ALL DIAMETERS TO BE CONCENTRIC WITHIN .005 UNLESS OTHERWISE SPECIFIED.
5. ALL CORNERS TO BE .015 MAX R OR CHAMFER OR OTHERWISE NOTED.
6. ALL DIMENSIONS ARE FINISHED PART DIMENSIONS.
7. POWDERCOAT FINISH TO BE INTERPON 600 OR NWI APPROVED EQUIVALENT.
8. REMOVE ALL BURRS, BREAK CORNERS, AND SHARP EDGES.
9. NO FLASH ALLOWED.

DIMENSIONS ARE IN INCHES
TOLERANCES:
FRACTIONAL: ±1/16"
ANGULAR: MACH ±1° BEND ±1°
TWO PLACE DECIMAL ±0.01
THREE PLACE DECIMAL ±0.005

MATERIAL
STEEL
FINISH
HDG OR Z/P & PC
DO NOT SCALE DRAWING

NAME	DATE
DRAWN DDC	08-23-16
CHECKED	
ENG APPR.	
MFG APPR.	
Q.A.	
COMMENTS:	

NATIONWIDE INDUSTRIES

5 PADLOCK COMMERCIAL GATE LATCH

SIZE A	DWG. NO. CS--GSL-5	REV. -
SCALE: 1:4	WEIGHT:	SHEET 1 OF 1

PROPRIETARY AND CONFIDENTIAL

THE INFORMATION CONTAINED IN THIS DRAWING IS THE SOLE PROPERTY OF NATIONWIDE INDUSTRIES. ANY REPRODUCTION IN PART OR AS A WHOLE WITHOUT THE WRITTEN PERMISSION OF NATIONWIDE INDUSTRIES IS PROHIBITED.