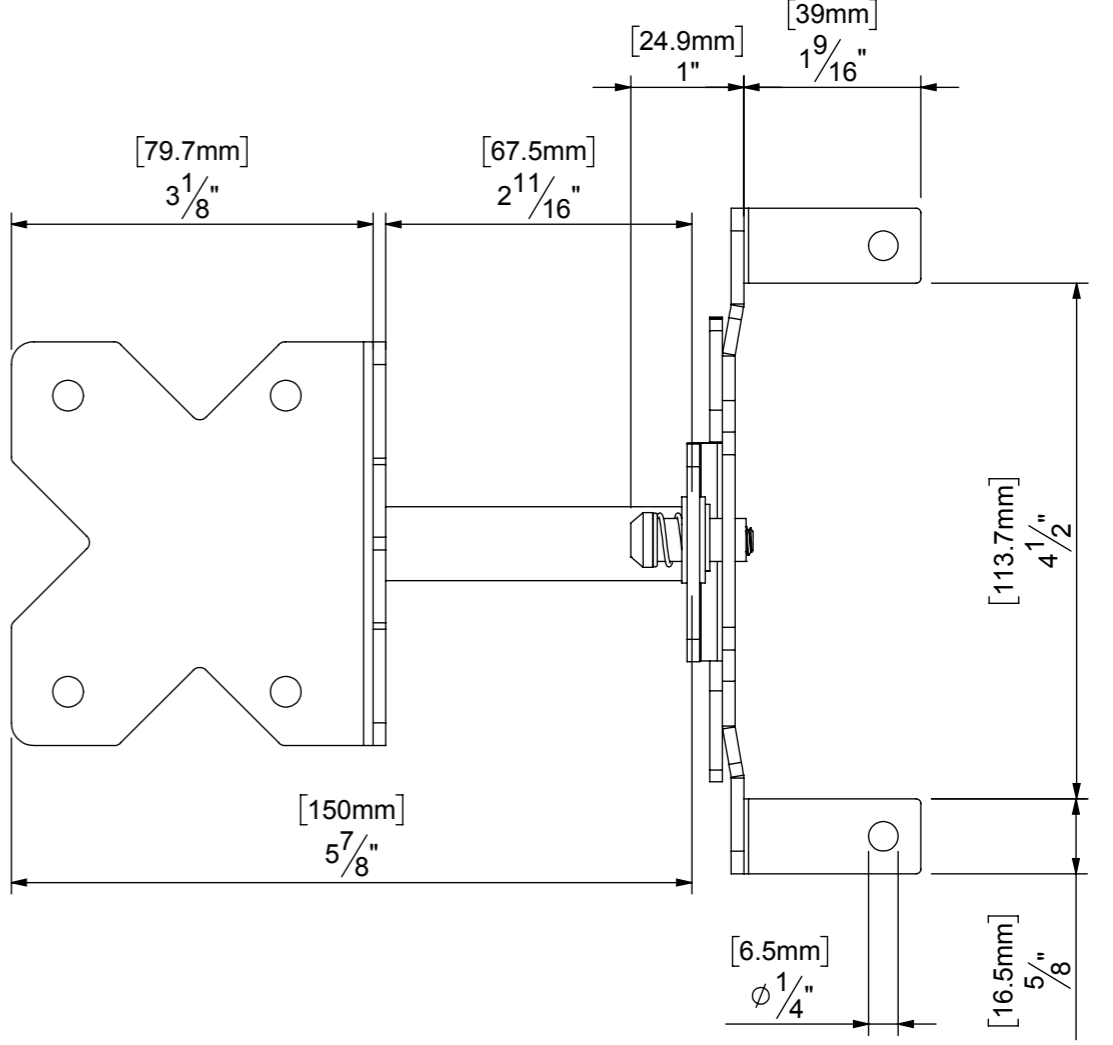
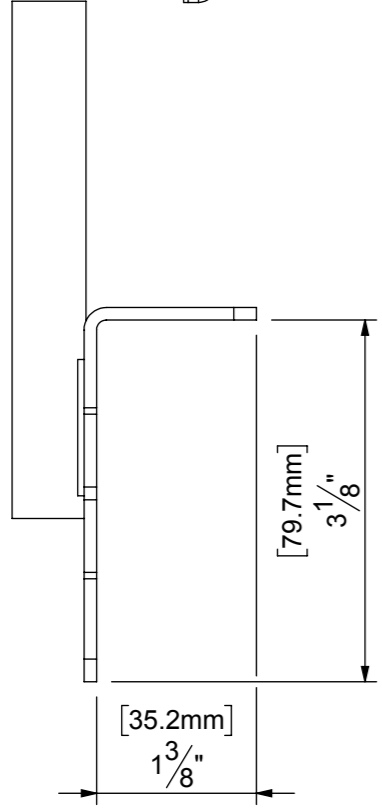
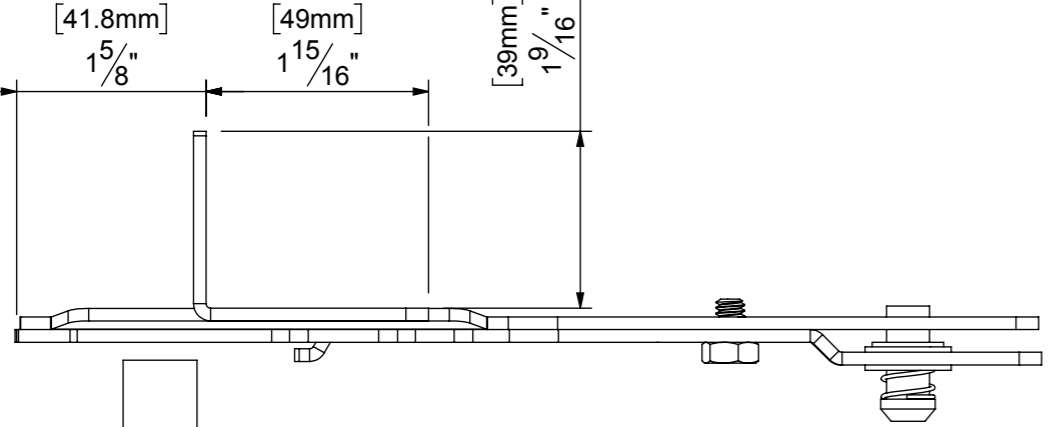


DDSLM
99-0118



[226mm] $8\frac{7}{8}$ "

