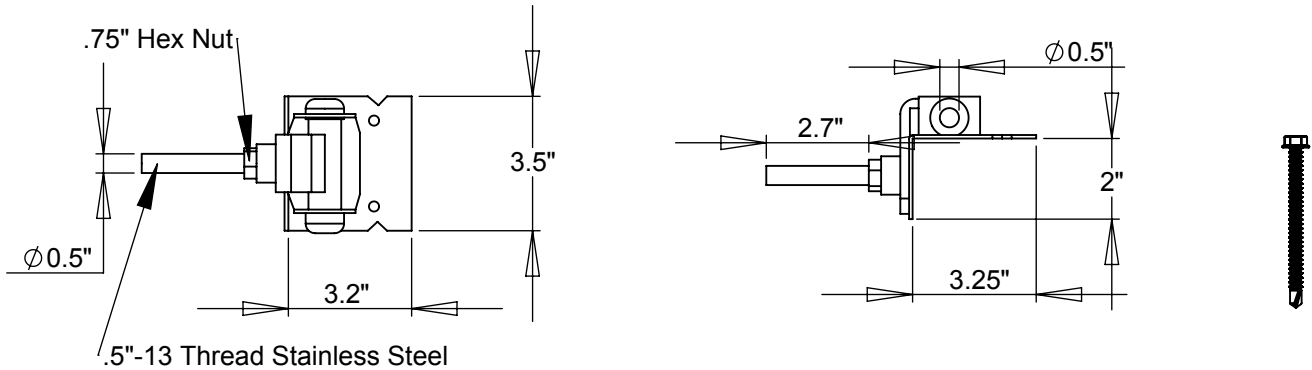
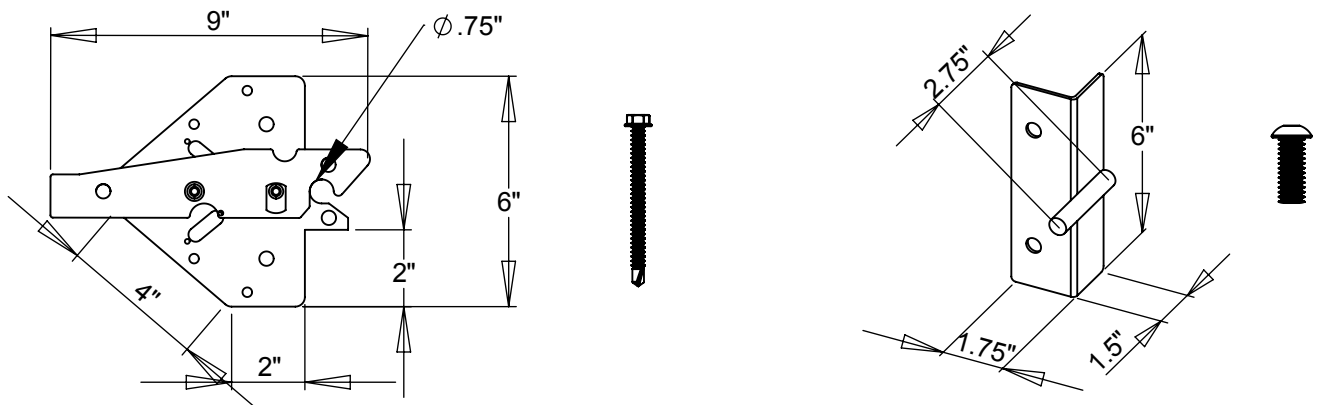


Gate Hardware Specifications

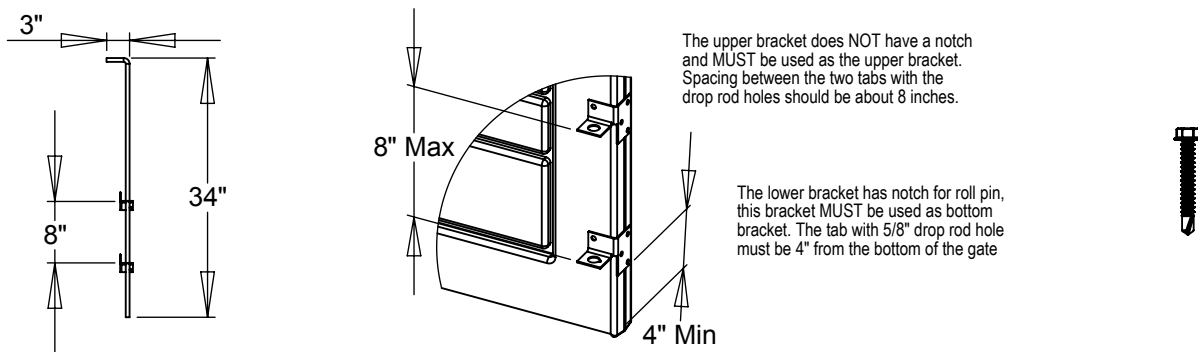
| Description | Model | Color | Material | Fasteners |
|---------------------------------------|-------|-------|-----------------|--------------------------------------|
| SimTek Heavy Duty Spring Loaded Hinge | ST-HD | Black | Stainless Steel | 2.5 Self Tapping Screw (4 per Hinge) |



| Description | Model | Color | Material | Fasteners |
|--------------------------------|-------|-------|-----------------|--|
| SimTek Heavy Duty Latch | ST-LT | Black | Stainless Steel | 2.5" Self Tapping Screw (4 per Latch) |
| SimTek Heavy Duty Stricker Rod | ST-LT | Black | Stainless Steel | Button Head Screw (2 per Stricker Rod) |



| Description | Model | Color | Material | Fasteners |
|---------------------------------|-------|-------|-----------------|---|
| SimTek Stainless Steel Drop Rod | ST-DR | Black | Stainless Steel | 1.5" Self Tapping Screw (10 per Drop Rod) |



Gate Hardware Specs E

This drawing may not be altered or reproduced without the permission of SimTek® Fence

Date: January 3, 2011

Scale: not to scale

REV: GF

Sheet 1 of 1

U.S. Patents: 7,478,797 / 7,635,114 Foreign Patents Pending



EcoStone

www.ecostonefence.com