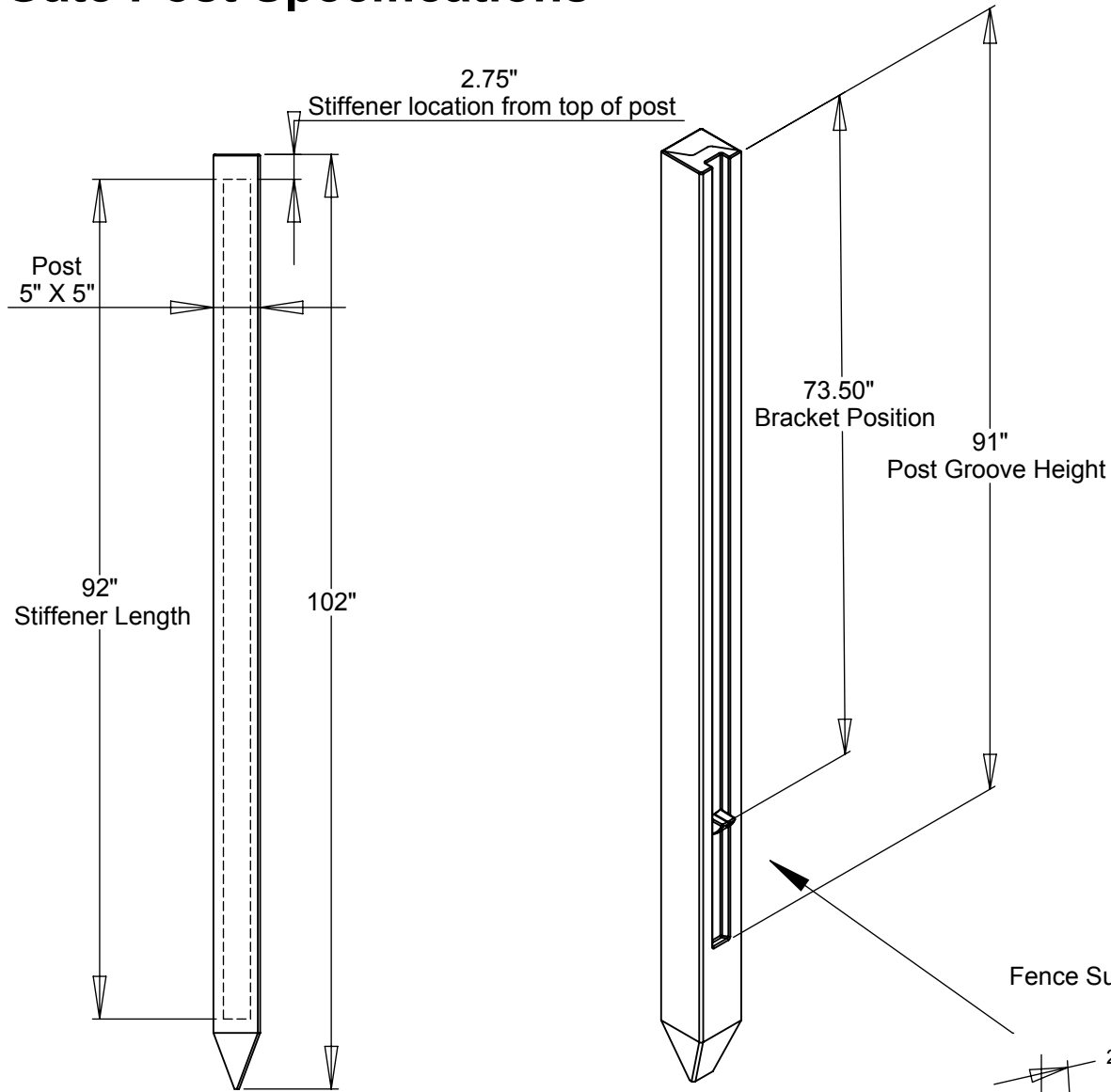
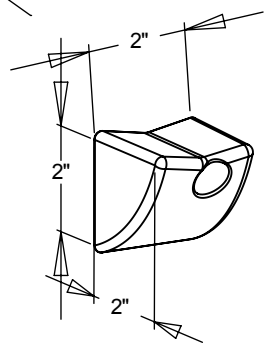


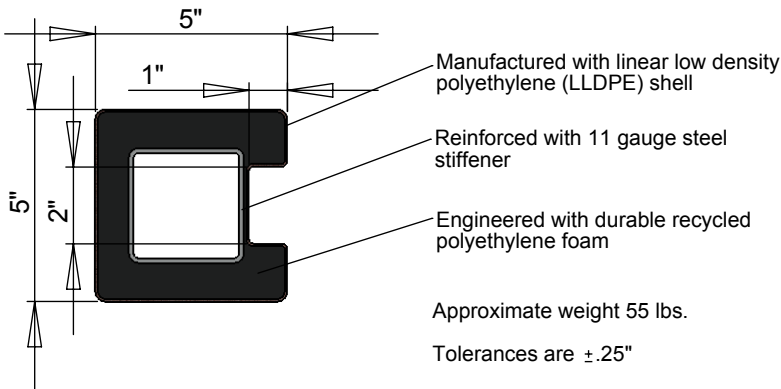
8.5' Gate Post Specifications




Fence Support Bracket



Gate post cutaway



- Made with polypropylene copolymer plastic
- Triangulated shape for improved load distribution
- Zinc plated 1.5" self tapping screw and one bracket included per groove

| | | | |
|------------------------------|---|---------|--|
| Model #:GP102 E | This drawing may not be altered or reproduced without the permission of SimTek™ Fence | |  EcoStone www.ecostonefence.com |
| Date: January 3, 2011 | Scale: not to scale | REV: GF | |
| Sheet 1 of 1 | U.S. Patents: 7,478,797 / 7,635,114 Foreign Patents Pending | | |