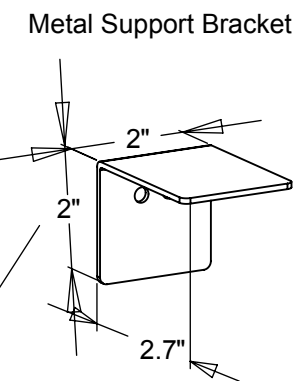
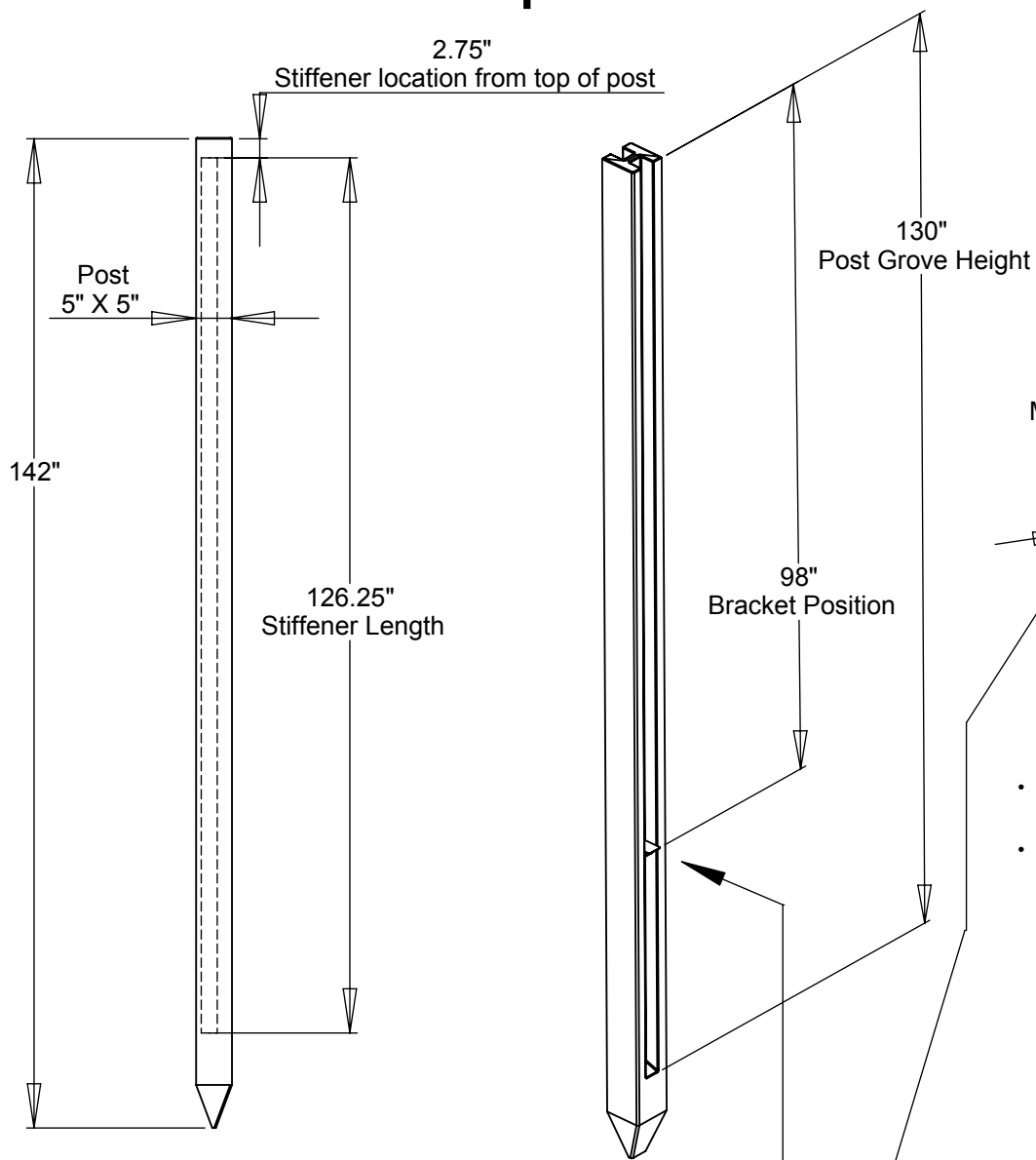
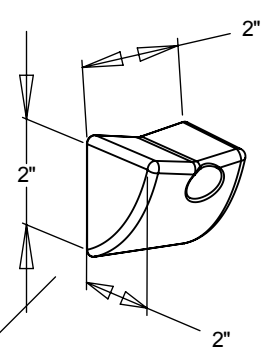


12' Standard Gate Post Specifications



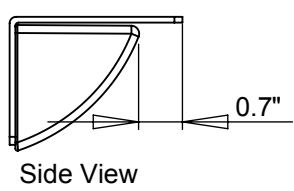
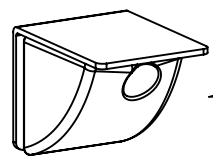
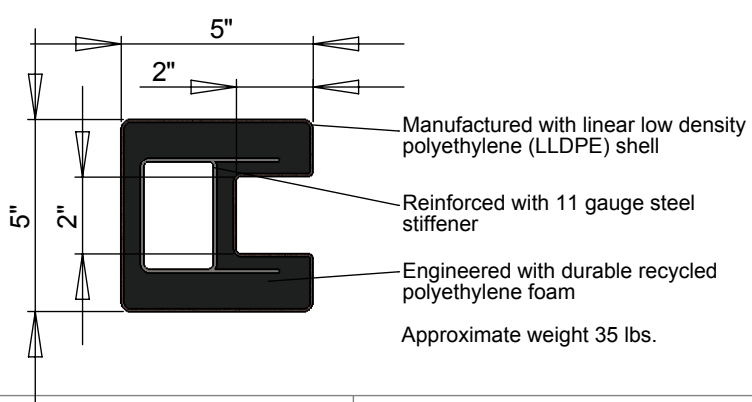
- Made from 12 gauge galvanized steel
- Designed to give extra panel support for 8' panels

Fence Support Bracket



- Made with polypropylene copolymer plastic
- Triangulated shape for improved load distribution
- Zinc plated 1.5" self tapping screw and one bracket included per groove
- Tolerances are $\pm 25''$

Gate post cutaway



Side View

<p>Model #: GP142 E</p>	<p>This drawing may not be altered or reproduced without the permission of SimTek[®] Fence</p>		 <p>EcoStone www.ecostonefence.com</p>
<p>Date: January 3, 2011</p>	<p>Scale: not to scale</p>	<p>REV: GF</p>	
<p>Sheet 1 of 1</p>	<p>U.S. Patents: 7,478,797 / 7,635,114 Foreign Patents Pending</p>		