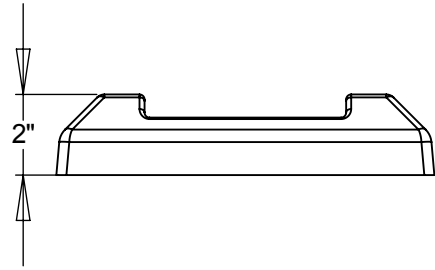
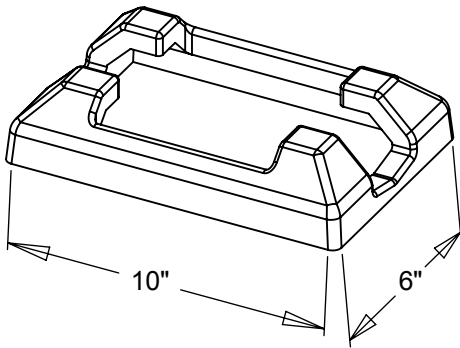
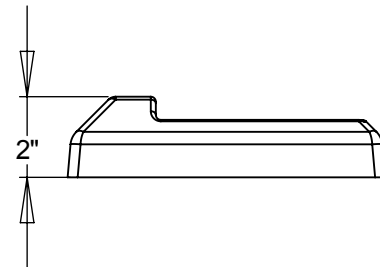
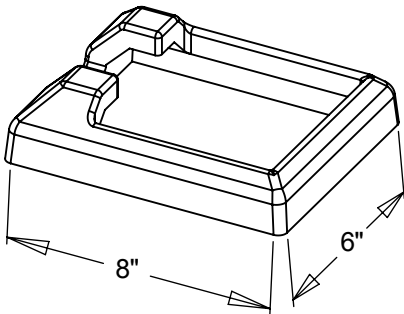


# Ground Mount Skirts Specifications

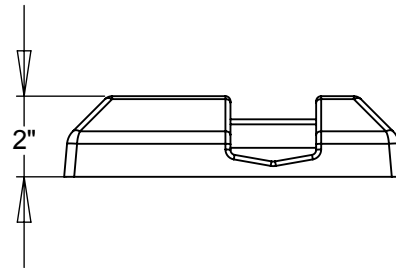
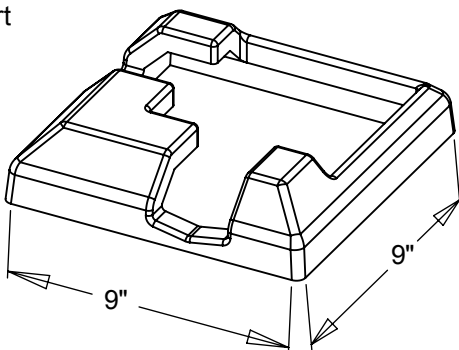
Line Skirt



End Skirt



Corner Skirt



<b>Skirts E</b>	This drawing may not be altered or reproduced without the permission of SimTek® Fence		 <b>EcoStone</b> <a href="http://www.ecostonefence.com">www.ecostonefence.com</a>
<b>Date: January 3, 2011</b>	Scale: not to scale	REV: GF	
<b>Sheet 1 of 1</b>	U.S. Patents: 7,478,797 / 7,635,114 Foreign Patents Pending		