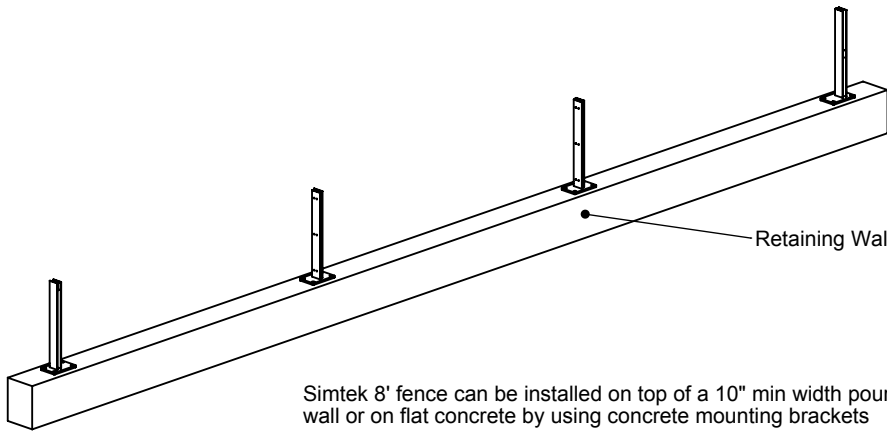
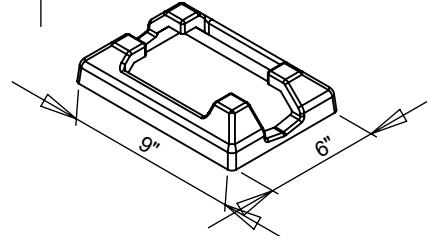
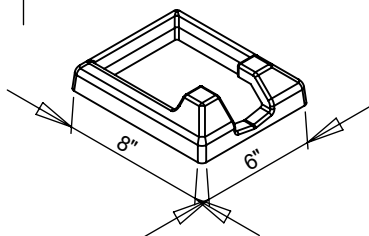
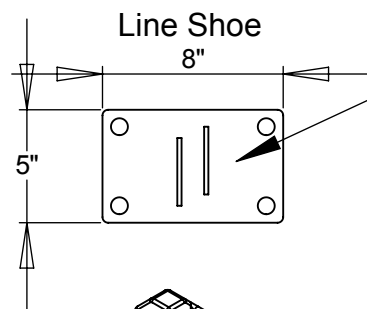
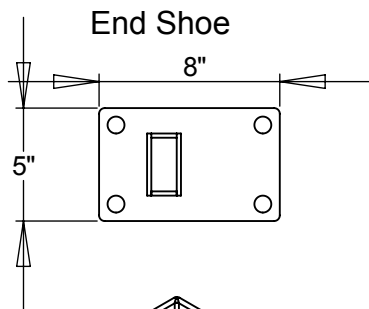
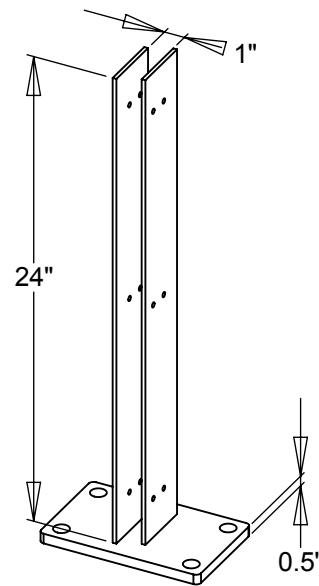
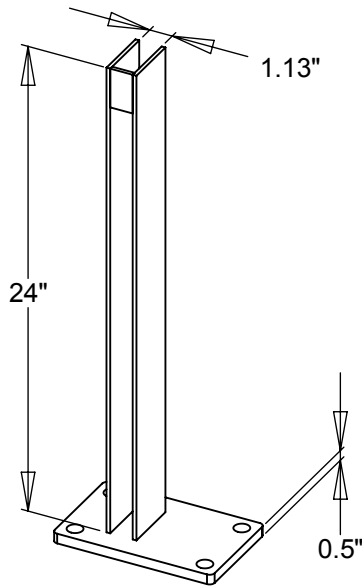
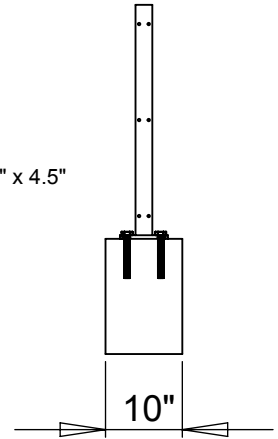


Concrete Mounting Specifications for 8'H Walls



Minimum Bolt Size 1/2" x 4.5"

Simtek 8' fence can be installed on top of a 10" min width poured concrete wall or on flat concrete by using concrete mounting brackets



End Shoe Skirt

Line Shoe Skirt

Surface Mount Specs 8' E

This drawing may not be altered or reproduced without the permission of SimTek® Fence

Date: January 3, 2011

Scale: not to scale

REV: GF

Sheet 1 of 1

U.S. Patents: 7,478,797 / 7,635,114 Foreign Patents Pending



EcoStone

www.ecostonefence.com