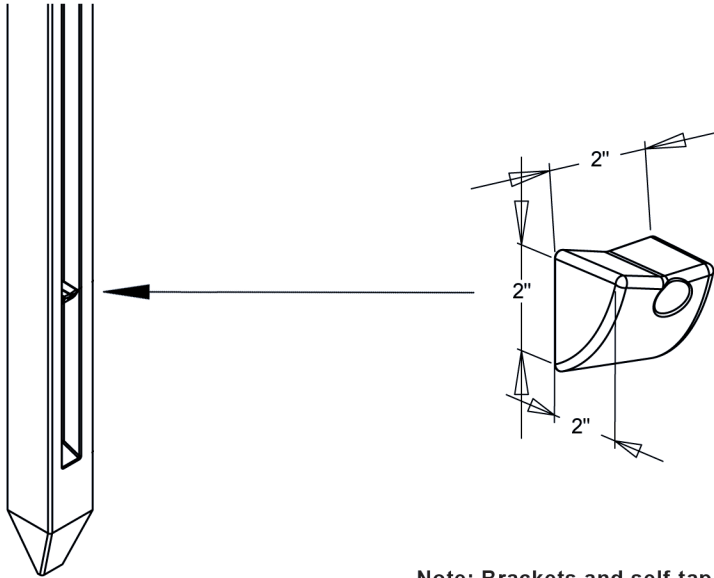


# Fence Support Bracket Specifications



## Fence Support Bracket

- Made with polypropylene copolymer plastic
- Triangulated shape for improved load distribution
- Zinc plated self tapping screws and brackets included with posts

**Note:** Brackets and self-tapping screws included with posts as follows:

Line Post (LP) = (2) brackets, (2) 1.5" screws

End Post (EP) and Gate Post (GP) = (1) bracket, (3) 3" screws

Corner Post (CP) = (2) brackets, (6) 3" screws

**Model #: BRACKET**

This drawing may not be altered or reproduced without the permission of SimTek® Fence

**Date: January 3, 2011**

Scale: not to scale

REV: GF

**Sheet 1 of 1**

U.S. Patents: 7,478,797 / 7,635,114 Foreign Patents Pending



[www.simtekfence.com](http://www.simtekfence.com)