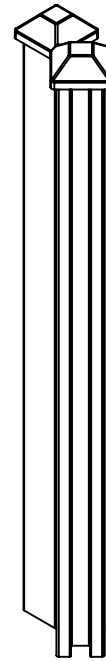
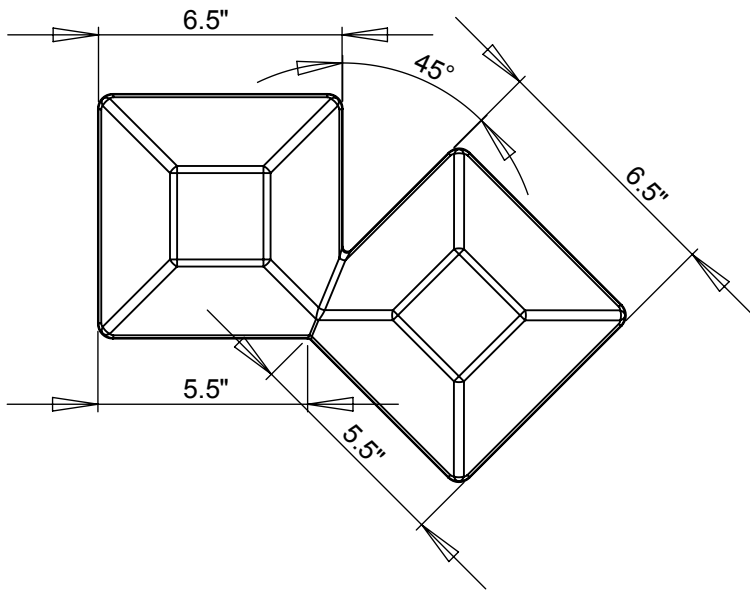
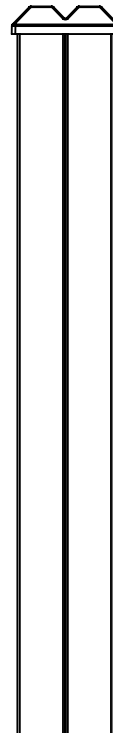
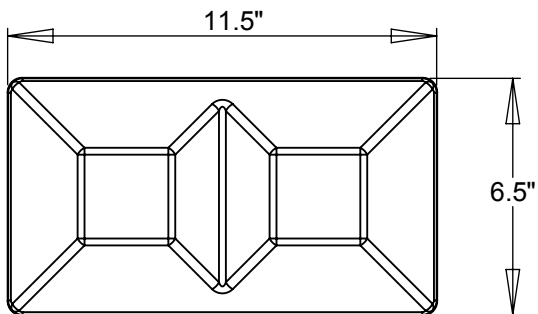


Specialty Caps Specifications

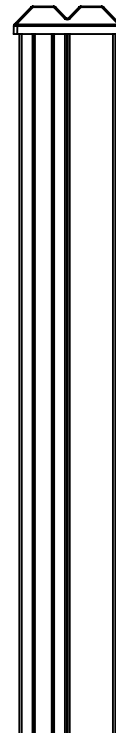
45° Double Cap



Double Inline Cap



Inline cap with two end posts



Inline cap with two end posts to form a 90° turn for 8' high walls

Specialty Caps E

This drawing may not be altered or reproduced without the permission of SimTek® Fence

Date: January 3, 2011

Scale: not to scale

REV: GF

Sheet 1 of 1

U.S. Patents: 7,478,797 / 7,635,114 Foreign Patents Pending



EcoStone

www.ecostonefence.com