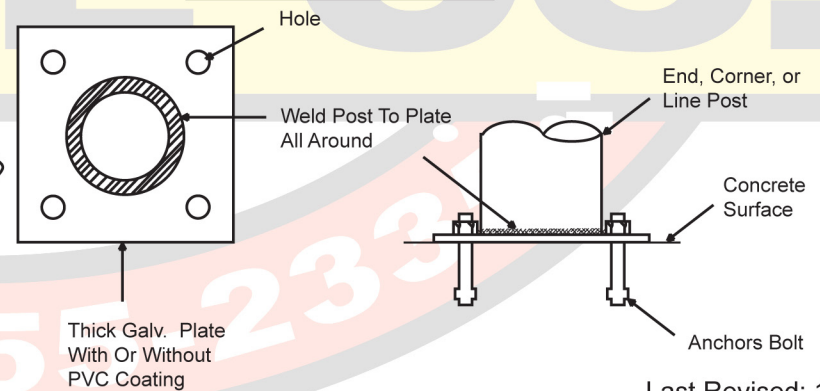


**Details Of Mounting Plate**



Fabric	Height	Mesh	Gage	Selvage	Finish	
Framework			O.D.	Wall	Wt. per ft.	Length
End/Corner Post						
Line Post						
Rails						
Gate Frame						
Gate Post						

**Notes**

- Gate Fabric to match fence
- For more information please see [www.hooverfence.com](http://www.hooverfence.com)

Last Revised: 10-03-06



# Standard Chain Link Fencing

## Standard Plate Mount Detail

Approved By:	Revision NO.	Drawing NO.
Drawn By:	Effective Date	