

FENCE PARTS			
Name	Qty	Item	
1101-48 PICKET	6	1	
1100-48 PICKET	7	2	
70-1/2" - 13 HOLE IND. STRINGER	3	3	
2-1/2" POST	2	4	
2-1/2" ALUMINUM POST CAP	2	5	

DATE	BY	DESCRIPTION	DATE	APP'D
--	NC	INITIAL RELEASE		

D

C

B

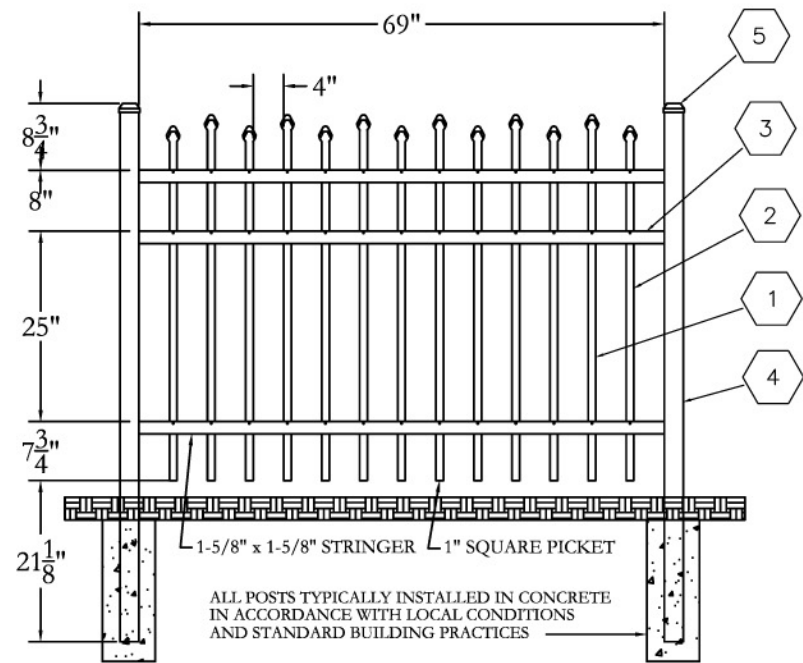
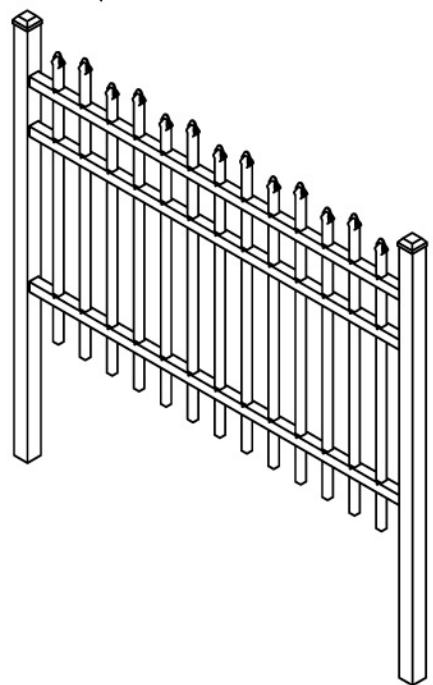
A

D

C

B

A



Jerith[®]
 Manufacturing Co., Inc.
 Philadelphia, PA 19154
 (800)344-2242

DRAWING:
INDUSTRIAL FENCE
STYLE #100 - 48" HEIGHT

SIZE D	DWG NO. IN48U100SN	REV NC
SCALE	DATE 1-1-04	SHEET 1 OF 1

© 2004. This drawing may not be altered or reproduced without the permission of Jerith Manufacturing Co., Inc.