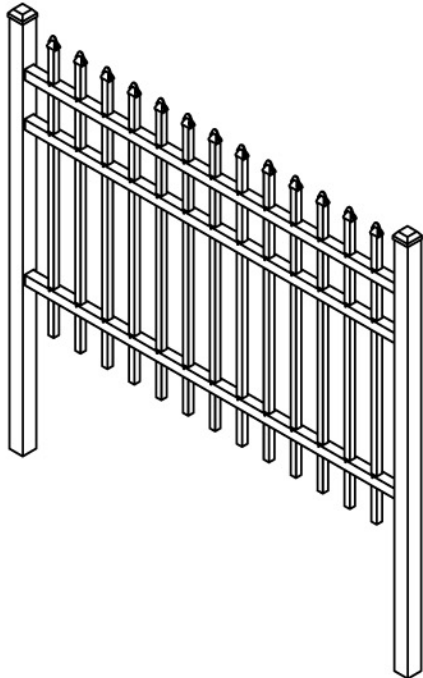
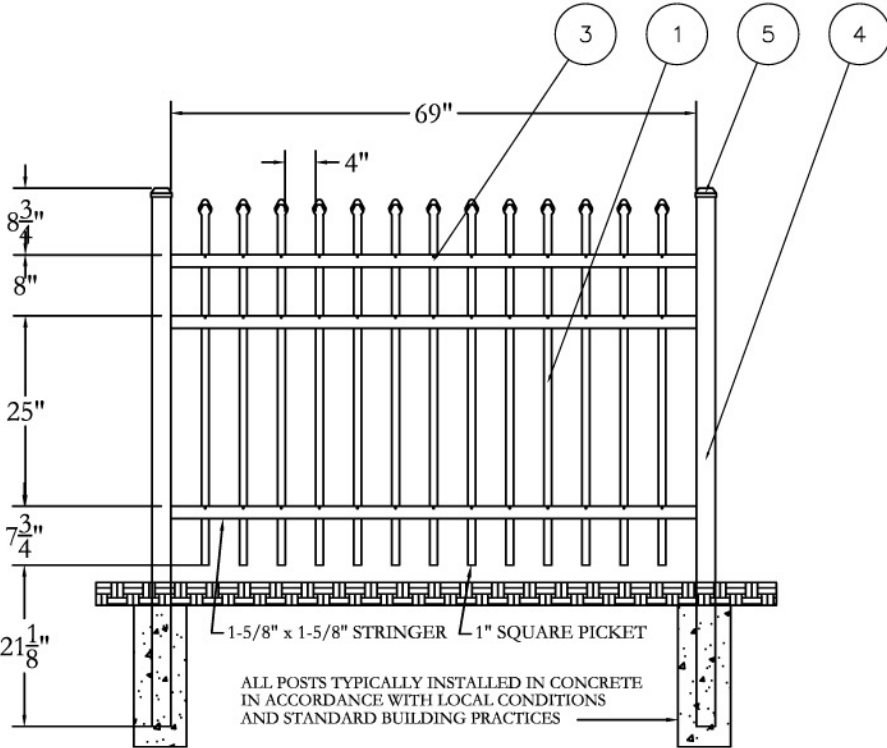


| FENCE PARTS | | | |
|---------------------------------|--|-----|------|
| Name | | Qty | Item |
| 1101-48 PICKET | | 13 | 1 |
| 70-1/2" - 13 HOLE IND. STRINGER | | 3 | 3 |
| 2-1/2" POST | | 2 | 4 |
| 2-1/2" ALUMINUM POST CAP | | 2 | 5 |

| DATE | REV | DESCRIPTION | DATE | APPROVED |
|------|-----|-----------------|------|----------|
| - | NC | INITIAL RELEASE | | |



Jerith[®]
 Manufacturing Co., Inc.
 Philadelphia, PA 19154
 (800)344-2242

DRAWING:
INDUSTRIAL FENCE
STYLE #101 - 48" HEIGHT

© 2005. This drawing may not be altered or reproduced without the permission of Jerith Manufacturing Co., Inc.

| | | |
|-----------|------------------------|-----------------|
| SIZE D | DWG. NO. IN48U101SN | REV NC |
| SCALE | DATE 1-1-04 | SHEET 1 OF 1 |