

8 7 6 5 4 3 2 1

FENCE PARTS

Name	Qty	Item
1202-48 PICKET	13	1
70-1/2" - 13 HOLE IND. STRINGER	2	3
2-1/2" POST	2	4
2-1/2" ALUMINUM POST CAP	2	5
70-1/2" - 13 HOLE IND. HEADER	1	6

DATE	REV	DESCRIPTION	DATE	APPROVED
-	NC	INITIAL RELEASE		

D

C

B

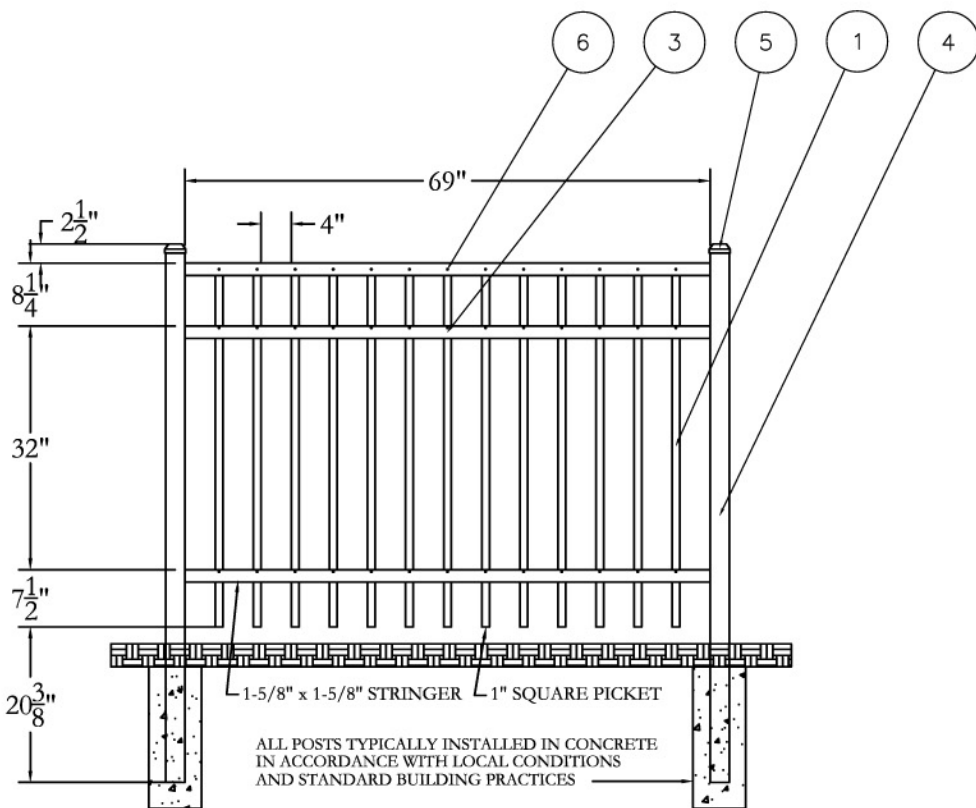
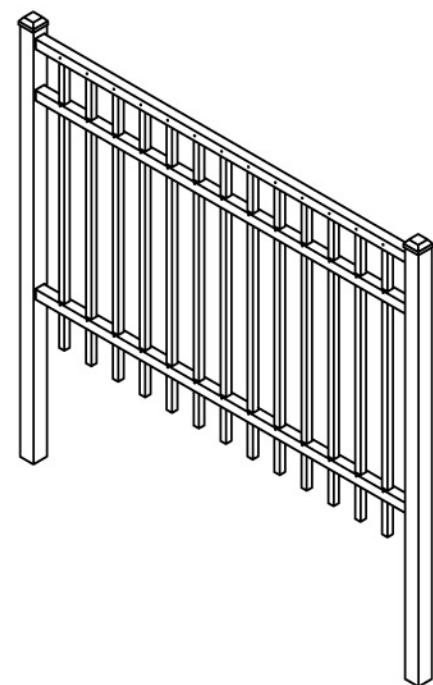
A

D

C

B

A



ALL POSTS TYPICALLY INSTALLED IN CONCRETE
IN ACCORDANCE WITH LOCAL CONDITIONS
AND STANDARD BUILDING PRACTICES

Jerith[®]
Manufacturing Co., Inc.
Philadelphia, PA 19154
(800)344-2242

DRAWING:
INDUSTRIAL FENCE
STYLE #202 - 48" HEIGHT

© 2005. This drawing may not be altered or reproduced without the permission of Jerith Manufacturing Co., Inc.

SIZE D	DWG NO. IN48U202SN	REV NC
SCALE	DATE 1-1-04	SHEET 1 OF 1

8 7 6 5 4 3 2 1