

FENCE PARTS			
Name	Qty	Item	
1101-48 PICKET	27	1	
2-1/2" POST	2	2	
2-1/2" ALUMINUM POST CAP	2	3	
27 HOLE IND. STRINGER	3	4	

DATE	BY	DESCRIPTION	DATE	APP'D
--	NC	INITIAL RELEASE		

D

C

B

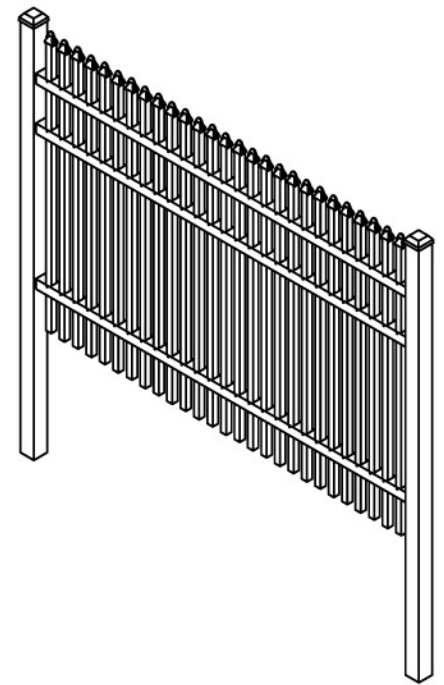
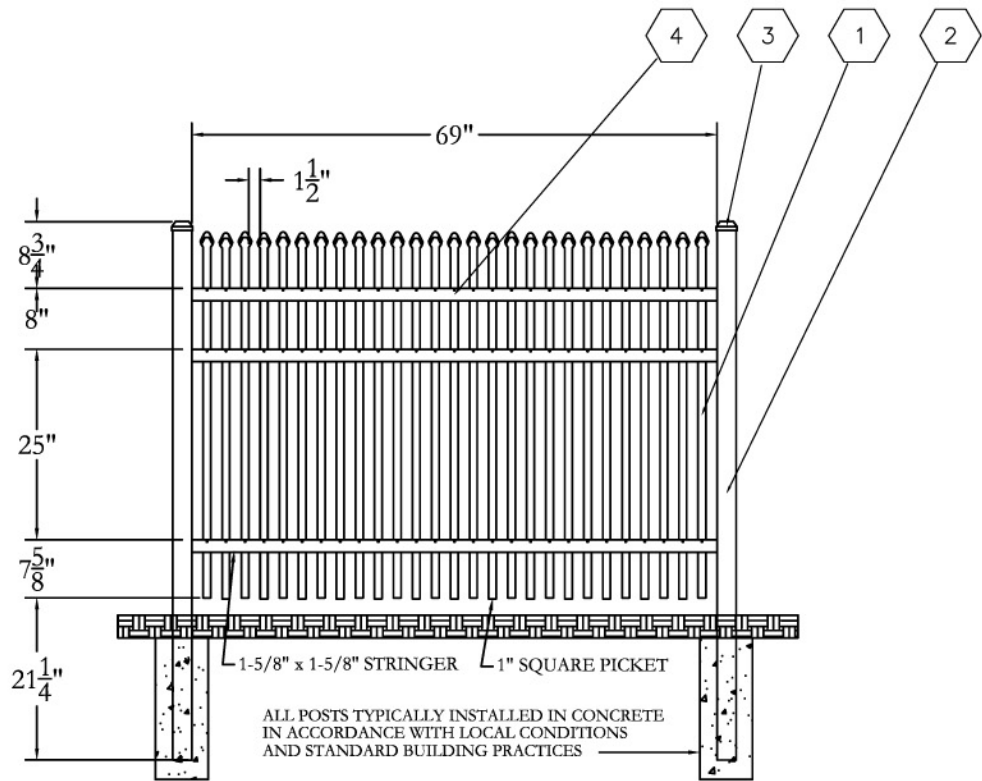
A

D

C

B

A



Jerith
 Manufacturing Co., Inc.
 Philadelphia, PA 19154
 (800)344-2242

DRAWING:
INDUSTRIAL FENCE
STYLE #401 - 48" HEIGHT

© 2004. This drawing may not be altered or reproduced without the permission of Jerith Manufacturing Co., Inc.

SIZE D	DWG NO. IN48U401SN	REV NC
SCALE	DATE 1-1-04	SHEET 1 OF 1

8

7

6

5

4

3

2

1

8

7

6

5

4

3

2

1