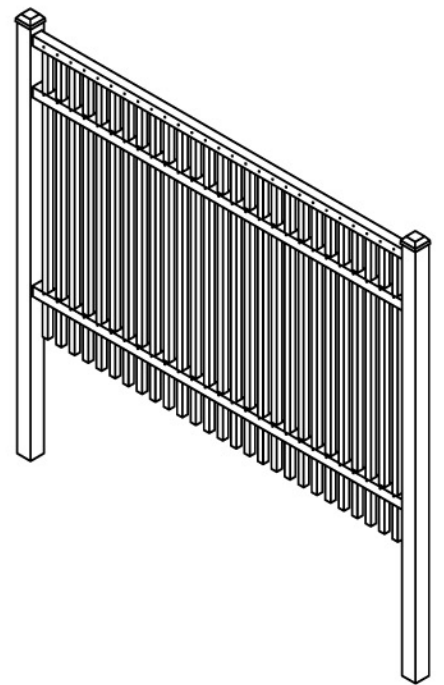
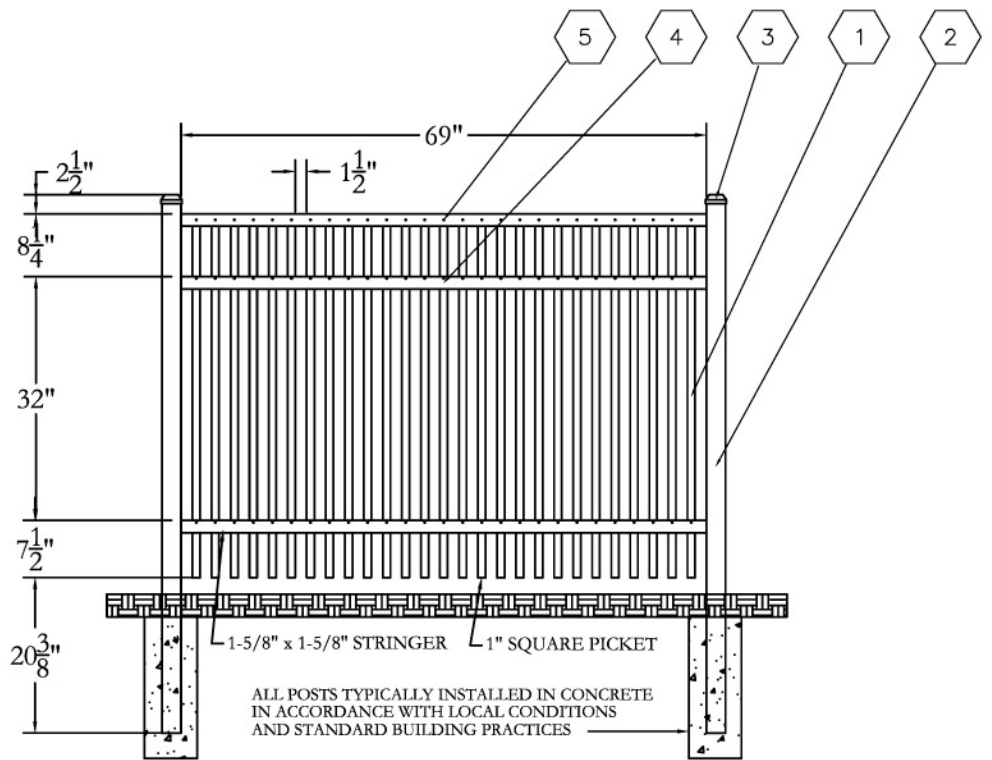


FENCE PARTS			
Name	Qty	Item	
1202-48 PICKET	27	1	
2-1/2" POST	2	2	
2-1/2" ALUMINUM POST CAP	2	3	
27 HOLE IND. STRINGER	2	4	
27 HOLE IND. HEADER	1	5	

DATE	BY	DESCRIPTION	DATE	APP'D
-	NC	INITIAL RELEASE		



**Jerith<sup>®</sup>**  
 Manufacturing Co., Inc.  
 Philadelphia, PA 19154  
 (800)344-2242

DRAWING:  
**INDUSTRIAL FENCE**  
**STYLE #402 - 48" HEIGHT**

SIZE D	DWG NO. IN48U402SN	REV NC
SCALE	DATE 1-1-04	SHEET 1 OF 1

© 2004. This drawing may not be altered or reproduced without the permission of Jerith Manufacturing Co., Inc.