

FENCE PARTS			
Name	Qty	Item	
1202-72 PICKET	27	1	
2-1/2" POST	2	2	
2-1/2" ALUMINUM POST CAP	2	3	
27 HOLE IND. STRINGER	2	4	
13 HOLE IND. HEADER	1	5	

DATE	BY	DESCRIPTION	DATE	APPROVED
-	NC	INITIAL RELEASE		

D

C

B

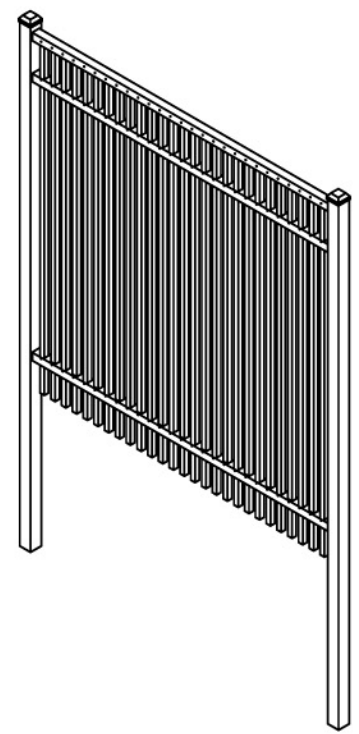
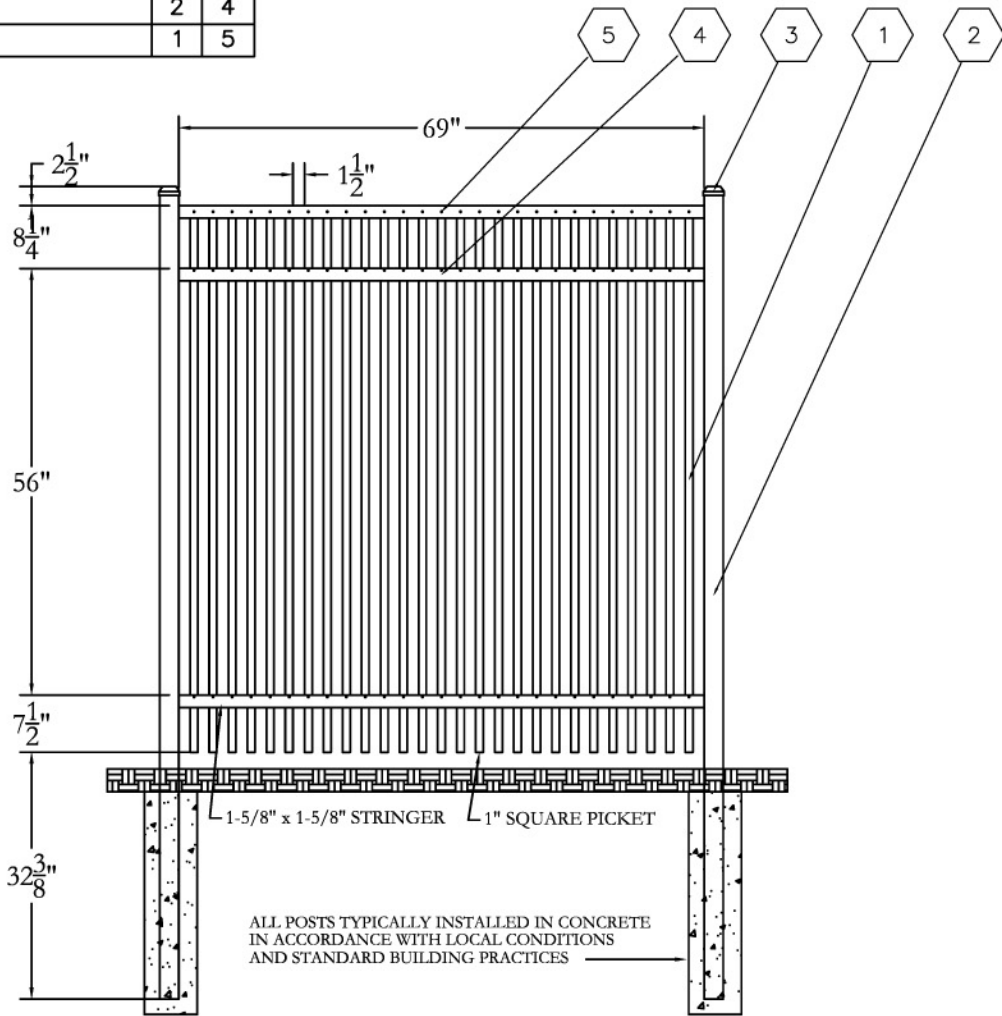
A

D


C

B

A



ALL POSTS TYPICALLY INSTALLED IN CONCRETE
IN ACCORDANCE WITH LOCAL CONDITIONS
AND STANDARD BUILDING PRACTICES



Jerith[®]
Manufacturing Co., Inc.
Philadelphia, PA 19154
(800)344-2242

DRAWING:
INDUSTRIAL FENCE
STYLE #402 - 72" HEIGHT

SIZE D	DWG NO. IN72U402SN	REV NC
SCALE	DATE 1-1-04	SHEET 1 OF 1

© 2004. This drawing may not be altered or reproduced without the permission of Jerith Manufacturing Co., Inc.