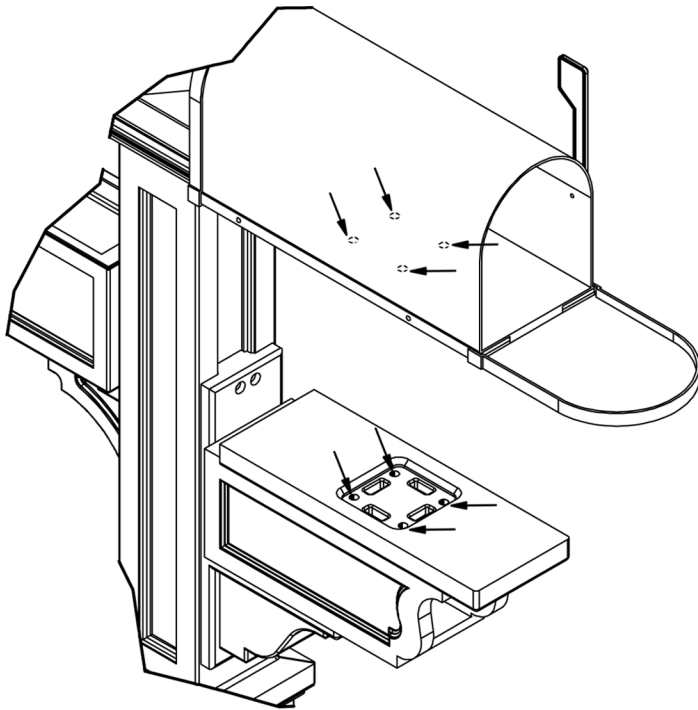


# Mailbox Installation Instructions

## Signature Plus / Dover / Rockport / Liberty / Statesville

For the Signature Plus & Dover mailbox arm a medium sized mailbox is recommended (approx. 7 1/2" width x 10" height x 20" length, and 4 to 11 lbs). For the Rockport configuration we recommend lighter boxes (approx. 4-8lbs). For customers with Liberty and Statesville posts the installation procedure is the same as shown below but we recommend a large sized mailbox (approx. 8" width x 12" height x 20" length, and 4 to 15 lbs). Mailboxes and mounting hardware not included with any Mayne mail posts.

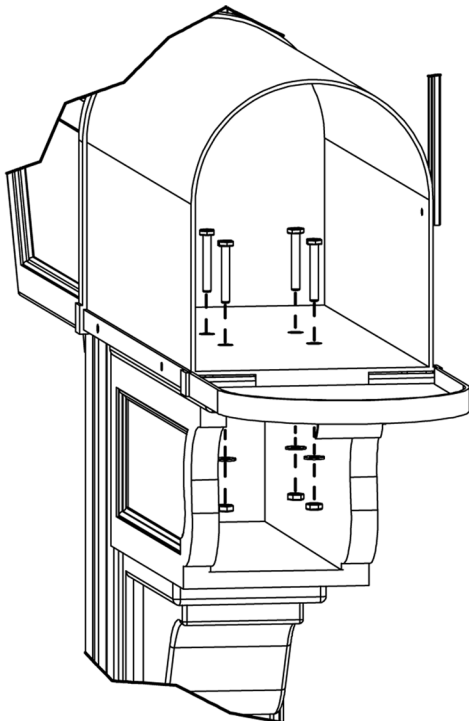
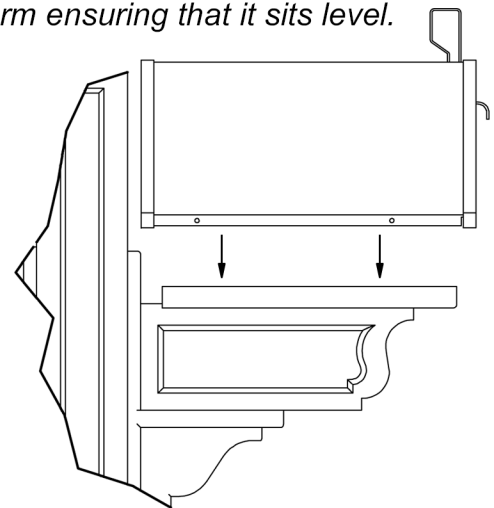


### STEP 1:

Most mailboxes have 4 holes in the bottom of the box, mark the location of these holes on the arm and pre-drill using a 3/8" drill bit (holes indicated with arrows). If the mailbox does not have holes in the bottom you will need to pre-drill those as well (hole spacing should be around 2 3/4" apart).

### STEP 2:

Set the mailbox on the mailbox arm ensuring that it sits level.



### STEP 3:

Secure the mailbox to the arm using a 1 3/4" nut and bolt combination. Insert the bolt through the holes in the floor of the mailbox. Next, reach inside the paper holder to fasten with a washer and nut.

Questions or concerns?

Please email [info@mayneposts.com](mailto:info@mayneposts.com) or call toll free 1-866-363-8834.

**MAYNE**<sup>®</sup>  
Mail Posts of Distinction