



(c) 2003 INTERNATIONAL ELECTRONICS, INC.
427 TURNPIKE STREET, CANTON MA 02021
(781)821-0734 - www.ieib.com
FAX INFO CENTER: (781) 821-0734

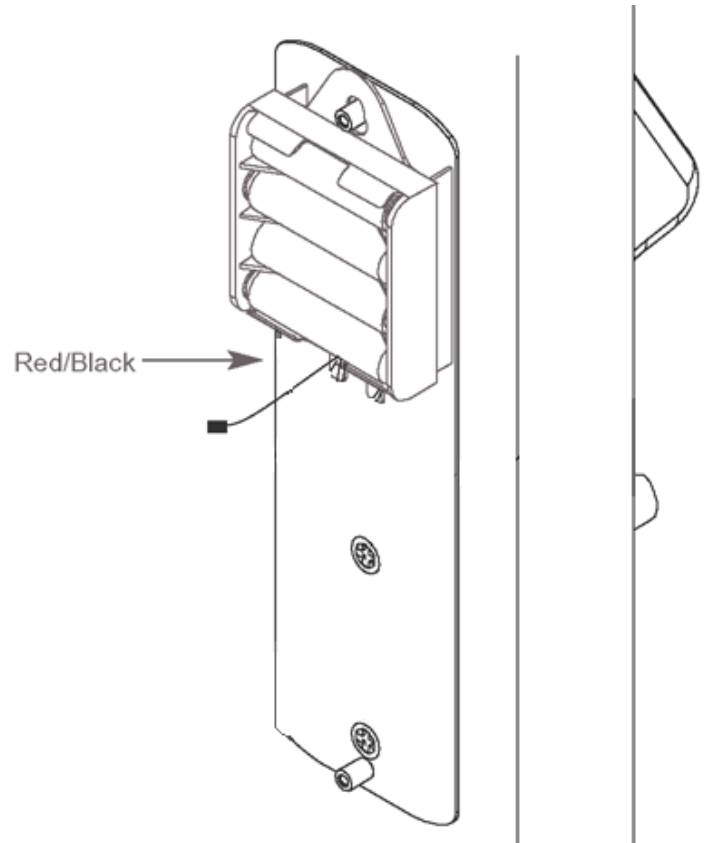
LS 1 & LS1 with Mortise Lockset & Exit Device

Wiring Instructions

Install Battery Pack

Note: Use Only Alkaline Batteries.

1. Insert 4 AA batteries into holder (note polarity)
2. Connect the red/black wires from the Raceway to the Red/black wires on the battery pack. The 4 remaining wires are for the optional door switch, as well as the request to exit (REX) function.
(See chart below for details)
3. When properly aligned, push down on the battery holder assembly, engaging the upper part of the hole into the groove of the center stud. This will connect the lower fork with the center post giving a very secure fit.



Color	Function
Red	Battery +
Black	Battery -
Brown	* REX Loop
Orange	* REX Loop
White	** Door Loop
Yellow	** Door Loop

* Normally open input, closure will active REX function

** Normally open door contact required



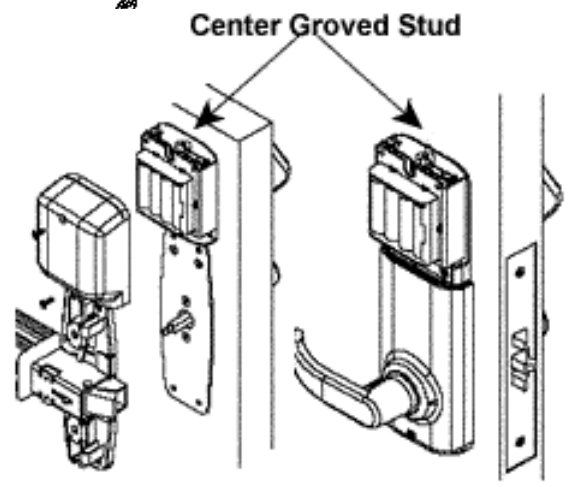
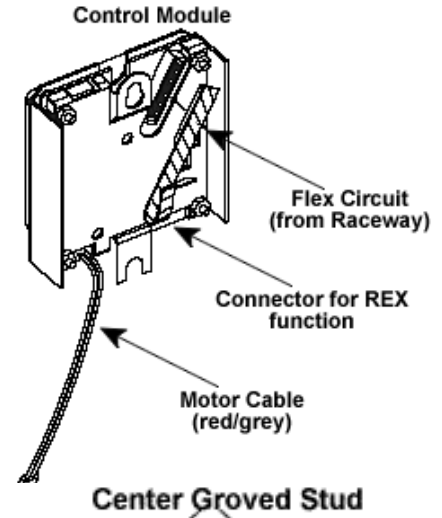
LS 2/2P Mortise Lockset & Exit Device Wiring Instructions

(c) 2003 INTERNATIONAL ELECTRONICS, INC.
427 TURNPIKE STREET, CANTON MA 02021
(781)821-0734 - www.ieib.com
FAX INFO CENTER: (781) 821-0734

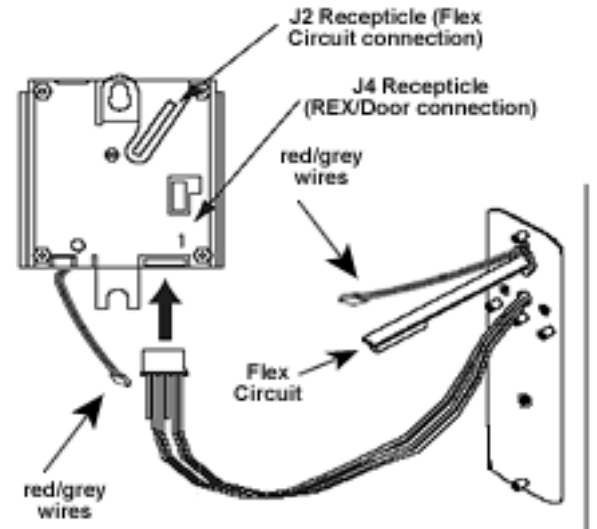
Control Module & Battery Pack

*Note: Use Only Alkaline Batteries.

1. Connect the Flex Circuit from the Raceway to Control Module (note orientation of cable). Make sure cable is fully seated.
2. Connect the red/grey wires from Control Module to the red/grey wires on the Lockset. At this time, plug in the optional request to exit (REX)/Door switch cable. (see the chart below)
3. Hang the Control Module on the center stud on the back plate allowing the smaller portion of the whole in the Control module Bracket to fit down into the groove on the stud. Note: the fork in the lower part of the Control Module Bracket will fit over the stud at the Inside Lower Housing screw on the back plate.



Connector	Description		
J1	Battery Connector		
	Pin	Wire Color	Function
	1	Red	Battery +
	2	Black	Battery -
	3	Not Used	
J2	Keypad Connector		
	For Flex Cable (26 pin connector) Flex connector is keyed to ensure proper installation.		
J4	REX & Door Input Loops		
	Pin	Wire Color	Function
	1	Brown	*REX Loop
	2	Orange	*REX Loop
	3	Green	Not Used
	4	White	** REX Loop
	5	Yellow	** REX Loop
6	Grey	Not Used	



* Normally open input, closure will active REX function
** Normally open door contact required