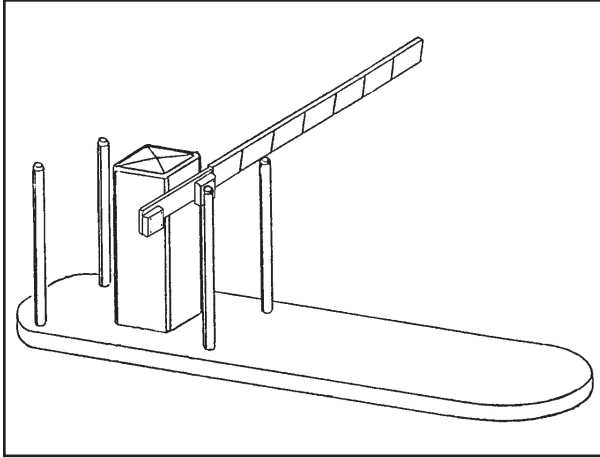
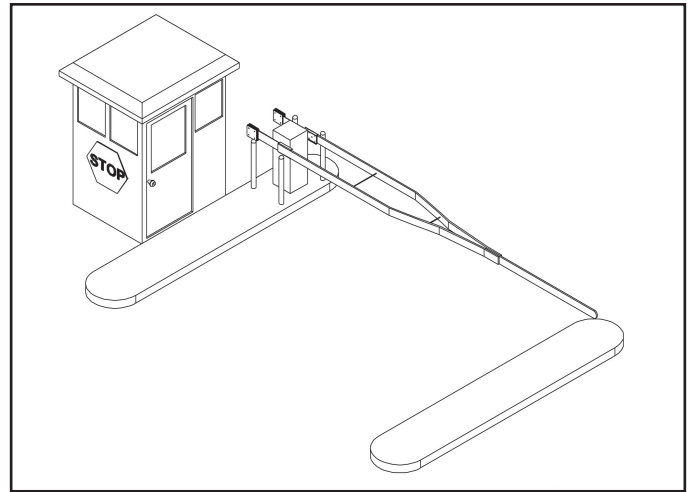


BGUS / BGUS-D SG / SG-D INSTALLATION GUIDE



BGUS
BGUS-D



SG
SG-D



Operator models contained in this manual
conform to UL325 standard for use in
Class I, II, III, and IV applications

Linear[®]
Building On Innovation.

USA & Canada (800) 421-1587 & (800) 392-0123
(760) 438-7000 - Toll Free FAX (800) 468-1340
www.linearcorp.com

MODEL BGUS/BGUS-D • SG/SG-D OPERATOR INSTALLATION GUIDE

TABLE OF CONTENTS

PRE-INSTALLATION INFORMATION

Gate Operator Classifications	3
Safety Information and Warnings	3
Pre-Installation Information	3

INSTALLATION

Wiring Specifications	4
Mounting Instructions	5
Model BGUS/BGUS-D Arm Installation Instructions	6
Model SG/SG-D Arm Installation Instructions	7
Vent Plug Installation.....	8
Limit Cam Adjustments	8
Electrical Connection and Adjustments.....	8

CONTROL BOARD ADJUSTMENTS and ACCESSORY CONNECTIONS

Control Board Adjustments	9
Terminal Connection Descriptions.....	10
Current Sensing Adjustments.....	11
Close Direction Current Sense Adjustment.....	11
Open Direction Current Sense Adjustment	11
Maximum Run Timer Adjustment	11
Auto Close Timer Adjustment.....	11
Master/Slave Connection	11
Onboard L.E.D. Indicator Descriptions.....	12
Surge Protector Instructions.....	12
BGUS-D and SG-D Charger Board Sleep Mode	13
Control and Accessory Connection Illustrations.....	14-16

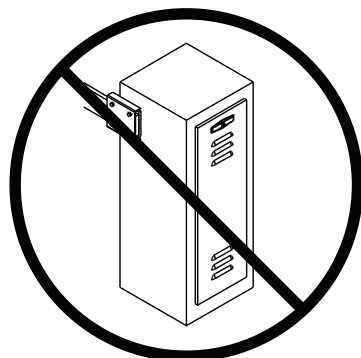
TROUBLESHOOTING

PARTS LISTS

How to Order Replacement Parts	17
Model BGUS Mechanical Parts Exploded View.....	18
Model BGUS Mechanical Parts List.....	19
Model BGUS Arm Exploded View and Parts List.....	19
Model BGUS-D Mechanical Parts Exploded View	20
Model BGUS-D Mechanical Parts List	21
Model BGUS-D Arm Exploded View and Parts List	21
Model SG Mechanical Parts Exploded View	22
Model SG Mechanical Parts List	23
Model SG-D Mechanical Parts Exploded View	24
Model SG-D Mechanical Parts List	25
Model SG/SG-D Arm Exploded View and Parts List	26
Models BGUS and SG Control Box Exploded View and Parts List.....	27
Models BGUS-D and SG-D Control Box Exploded View and Parts List	28
Battery Maintenance	29
Brush Replacement.....	29

PREVENTATIVE MAINTENANCE

Material Safety Data Sheet	31
----------------------------------	----



CAUTION!
ONLY QUALIFIED
SERVICE TECHNICIANS
SHOULD WORK ON AN
LINEAR BARRIER GATE OPERATOR

GATE OPERATOR CLASSIFICATIONS

All gate operators can be divided into one of four different classifications, depending on their design and usage.

Class I Residential Vehicular Gate Operator

A vehicular gate operator intended for use in a home of one to four single family dwellings, or garage or parking area associated with these dwellings.

Class II Commercial / General Access Vehicular Gate Operator

A vehicular gate operator intended for use in a commercial location or building such as a multifamily housing unit of five or more single family units, hotel, retail store or other building servicing the general public.

Class III Industrial / Limited Access Vehicular Gate Operator

A vehicular gate operator intended for use in an industrial location or building such as a factory or loading dock area or other location not intended to service the general public.

Class IV Restricted Access Vehicular Gate Operator

A vehicular gate operator intended for use in a guarded industrial location or building such as an airport security area or other restricted access locations not servicing the general public, in which unauthorized access is prevented via supervision by security personnel.

LINEAR barrier gate operator models BGU and BGU-D meet the requirements for all four classifications.



SAFETY INFORMATION AND WARNINGS

Read the following before beginning to install LINEAR barrier gates:

1. All electrical connections to the power supply must be made by a licensed electrician and must observe all national and local electrical codes.
2. A separate power-disconnect switch should be located near the operator so that primary power can be turned off when necessary.
3. Barrier gate operators are for vehicular traffic only. Pedestrians must be supplied with a separate access opening.
4. Never reach between, through or around the fence to operate the gate.
5. You must install all required safety equipment.

PRE-INSTALLATION INFORMATION

Before unpacking, inspect the carton for exterior damage. If you find damage, advise the delivery carrier of a potential claim.

Inspect your package carefully. You can check your accessory box parts with the enclosed packing slip for your convenience. Claims for shortages will be honored for only 30 days from the date of shipment.

Before installing the operator, read this manual completely to ensure all requirements for proper installation are present. Verify that the voltage to be used matches the voltage of the operator.

The following contact or non-contact obstruction detection devices have been approved for use with LINEAR barrier gate operators as part of a UL325 compliant installation:

2520-441	MMTC Model IR-55 photo eye, 165' with mounting hardware
2520-031	MMTC Model E3K photo eye, 28' with mounting hardware

MODEL BGUS/BGUS-D • SG/SG-D OPERATOR INSTALLATION GUIDE

WIRING SPECIFICATIONS

- Select from the chart at the bottom of this page corresponding to the model, voltage and horsepower rating of your operator.
- The distance shown on the chart is measured in feet from the operator to the power source. **DO NOT EXCEED THE MAXIMUM DISTANCE.** These calculations have been based on standard 115V and 230V supplies with a 10% drop allowable. If your supply is under the standard rating, the runs listed may be longer than what your application will handle, and you should not run wire too near the upper end of the chart for the gauge of wire you are using.
- When large-gauge wire is used, a separate junction box (not supplied) may be needed for the operator power connection.
- All control devices are now 24VDC, which can be run considerable distances. 24VAC is available for other devices, such as loop detectors and photo eyes.
- Wire run calculations are based on the National Electrical Code, Article 430 and have been carefully determined based on motor inrush, brake solenoids, and operator requirements.
- Connect power in accordance with local codes. **The green ground wire must be properly connected.**
- Wire insulation must be suitable to the application.
- Control wiring must be run in a separate conduit from power wiring. Running them together may cause interference and faulty signals in some accessories.
- Electrical outlets are supplied in all 115VAC models for convenience with occasional use or low power consumption devices only. If you choose to run dedicated equipment from these devices, it will decrease the distance for maximum run and the charts will no longer be accurate.
- A three-wire shielded conductor cable is required to connect master and slave operators. You must use Belden 8760 Twisted Pair Shielded Cable (or equivalent) **only** – LINEAR part number 2500-1982, per foot). See Page 9 for details of this connection, as well as dip switch selection. **Note: The SHIELD wire should be connected in both the master and slave operators.**

USE COPPER WIRE ONLY!

MODELS BGUS/BGUS-D/SG/SG-D

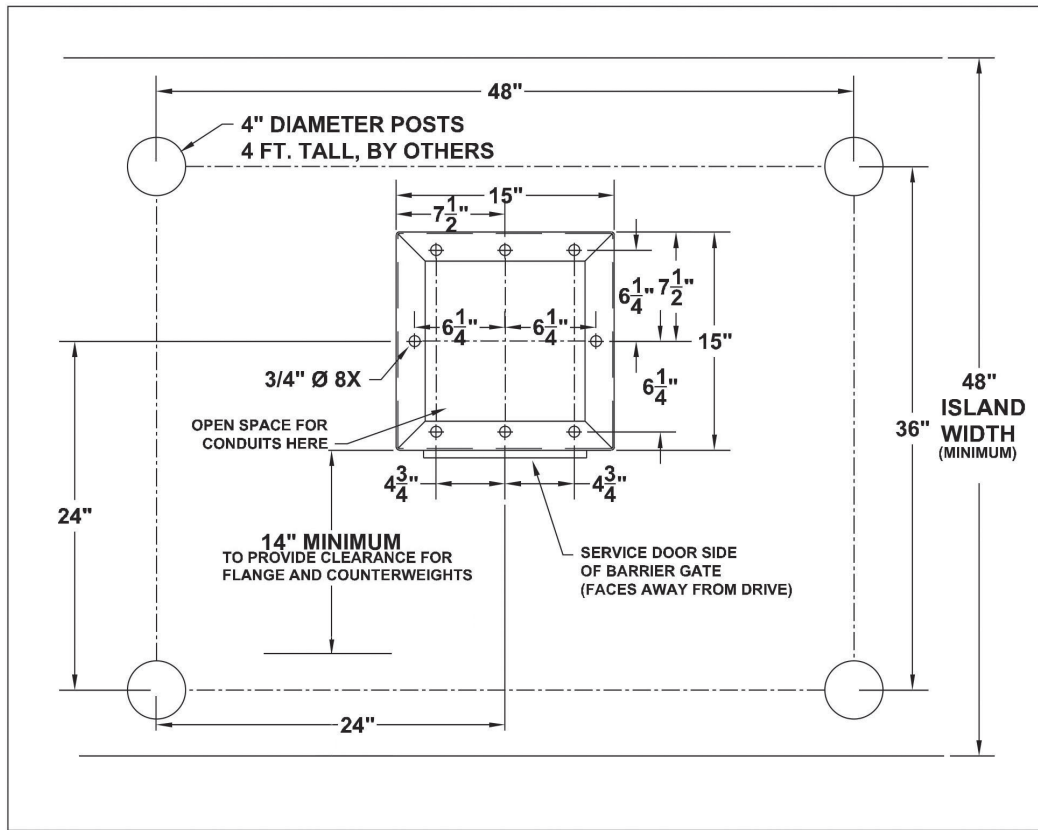
Power Wiring							
Volts & HP	Max Distance		Wire Gauge	Volts & HP	Max Distance		Wire Gauge
	Single	Dual			Single	Dual	
115V	222	111	12	230V	894	447	12
	354	177	10		1422	711	10
1/2 HP	566	283	8	1/2 HP	2264	1132	8
	900	450	6		3600	1800	6

ACCESSORY WIRING

All Models		
Volts	Maximum Distance (ft.)	Wire Gauge
24VAC	250 350*	14 12
24VDC	0-2000	14

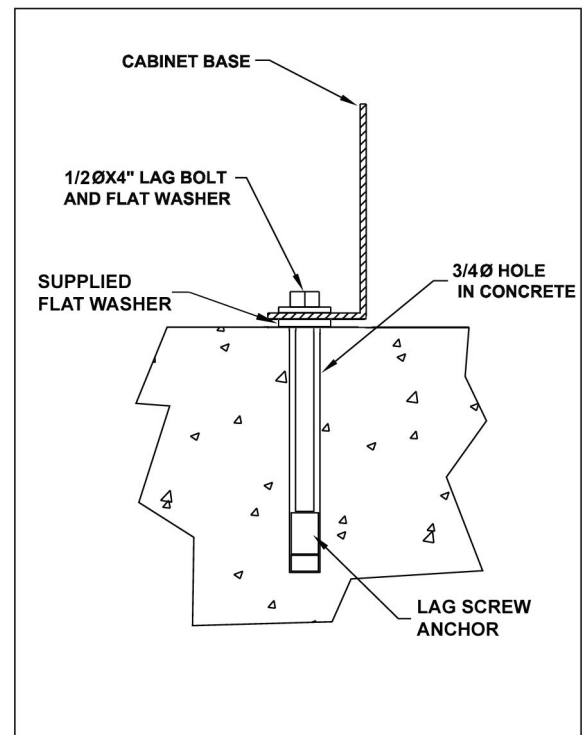
*Over 350 ft. use DC power.

MOUNTING INSTRUCTIONS BGUS/BGUS-D•SG/SG-D

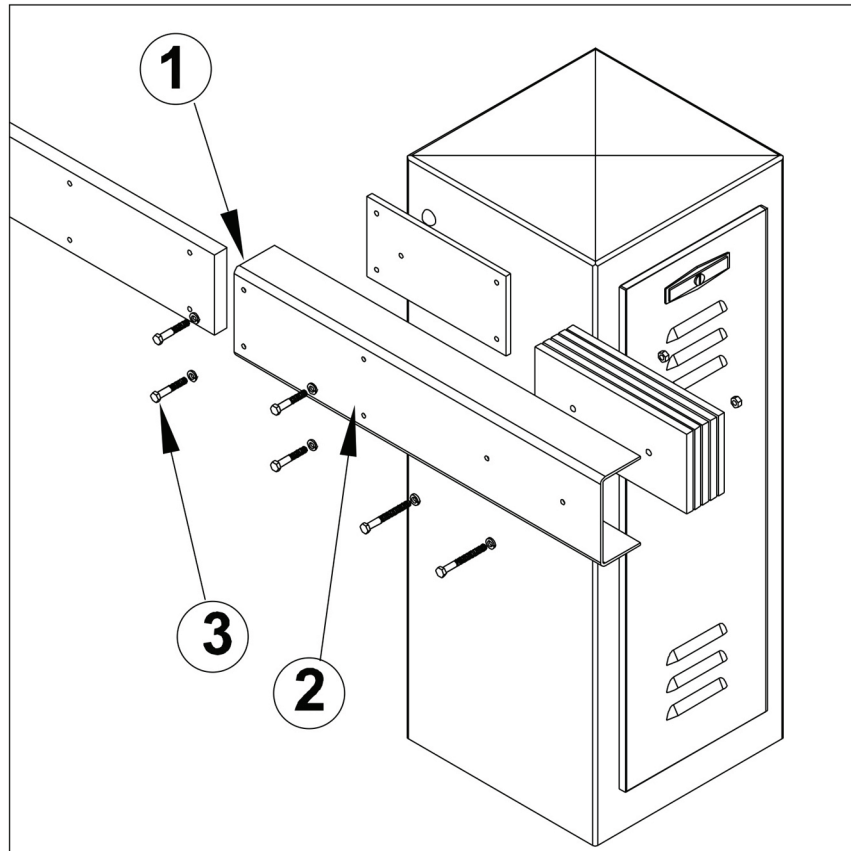


INSTALLATION ON CONCRETE CURB

1. Uncrate the gate. Avoid damaging the cabinet finish.
2. Leave the machine bolted to the bottom pallet until ready to install.
3. Open the cabinet door.
4. Remove the bolts holding the gate to its pallet and place the machine in position on the curb. Refer to your Equipment Layout (EL) drawing for proper positioning of your gate.
5. With a pencil, mark the location of the mounting holes on the concrete.
6. Set the gate aside. Drill all four mounting holes using a 3/4" diameter rotary hammer percussion drill bit. Insert lag screw anchors for 1/2" lag bolts. Place the gate back in position, and anchor it with 1/2" lag bolts and flat washers. Lubricate the bolts before installation. Flat washers have been supplied to go between pavement and cabinet. **LINEAR highly recommends using the corner mounting holes when mounting barrier gates.**
7. Proceed with the rest of the installation process.

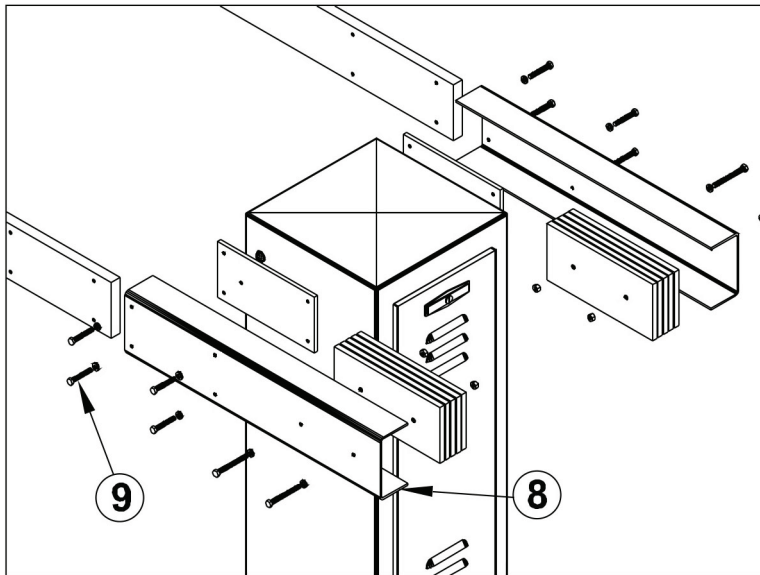
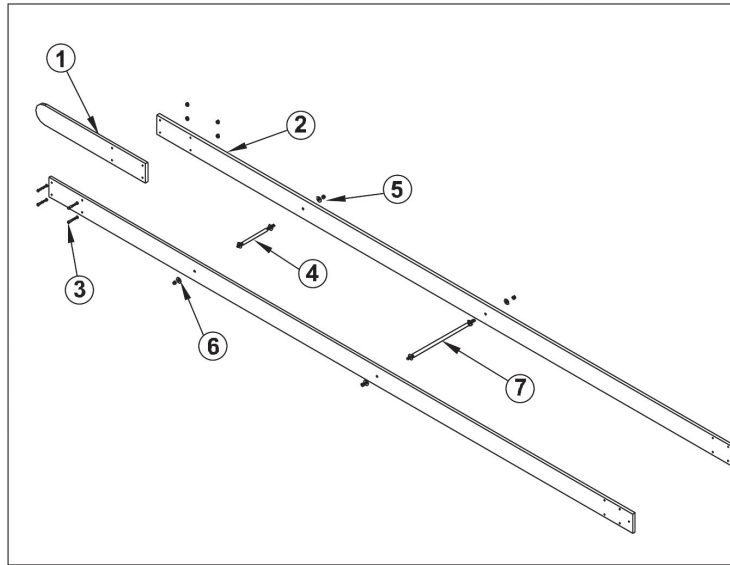


BARRIER GATE ARM INSTALLATION FOR MODEL BGUS/BGUS-D



1. Make sure the barrier gate is in the full closed position
2. With someone's assistance, lift the arm (#2) up to a height even with the barrier gate flange.
3. Using the hardware (#3) provided, attach the arm to the flange and attachment channel (#1). Tighten all bolts firmly.

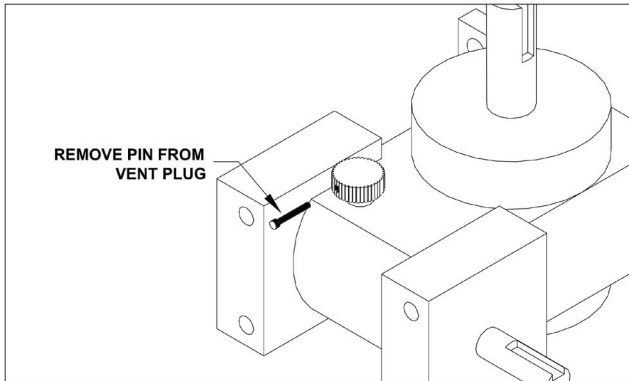
BARRIER GATE ARM INSTALLATION FOR MODEL SG/SG-D



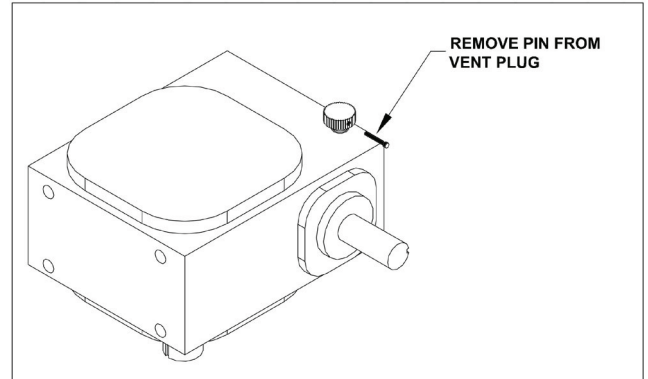
1. Assemble the SG arm on the ground first, making sure to leave all fasteners loose, including the spreader arms (#4 & #7 above).
2. Make sure the barrier gate is in the full closed position.
3. With someone's assistance, lift the arm up to a height even with the barrier gate flange. The far end should either be supported by something of equal height as the flange, or be held by someone throughout the next steps.
4. Assemble the wood arm between the attachment channel (#8) and the flange and bolt together. Tighten these bolts firmly.
5. Tighten all bolts where the three pieces of wood arm come together.
6. Tighten up the nuts (#6) on the spreader arms (#4 & #7) until the plates (#5) are tight against the wood.
7. The arm should have a curved, wishbone appearance once finished.

VENT PLUG INSTALLATION

Gear reducers used in LINEAR gate operators will have pinned vent plugs installed prior to shipping in order to keep the oil from spilling out during transportation. During installation this pin should be removed to allow proper ventilation. See the illustrations below.



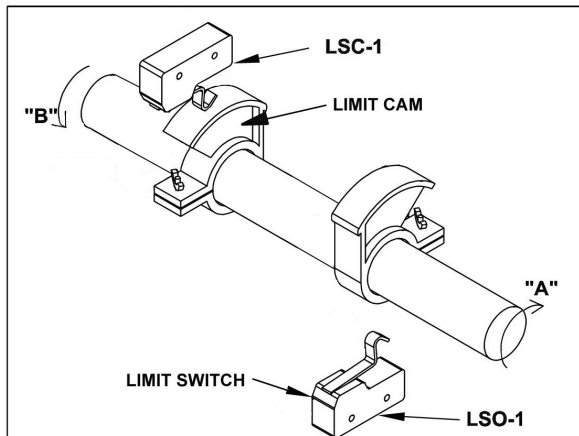
OR



LIMIT CAM ADJUSTMENTS

The limit cams for all models of barrier gate operators have been pre-set at the factory for approximately 90 degrees of motion. If you need to adjust this further, please follow the directions below. If the arm reverses just after you attempt to open it, you may need to adjust the open direction current sensor one turn higher. Refer to Page 9 for details of current sensing adjustment.

1. For **more downward travel**, loosen the wing nut on the LSC-1 (down) limit cam and rotate the cam slightly in the "B" direction.
2. For **less downward travel**, loosen the wing nut on the LSC-1 (down) limit cam and rotate the cam slightly in the "A" direction.
3. For **more upward travel**, loosen the wing nut on the LSO-1 (up) limit cam and rotate the cam slightly in the "A" direction.
4. For **less upward travel**, loosen the wing nut on the LSO-1 (up) limit cam and rotate the cam slightly in the "B" direction.



ELECTRICAL CONNECTION AND ADJUSTMENTS

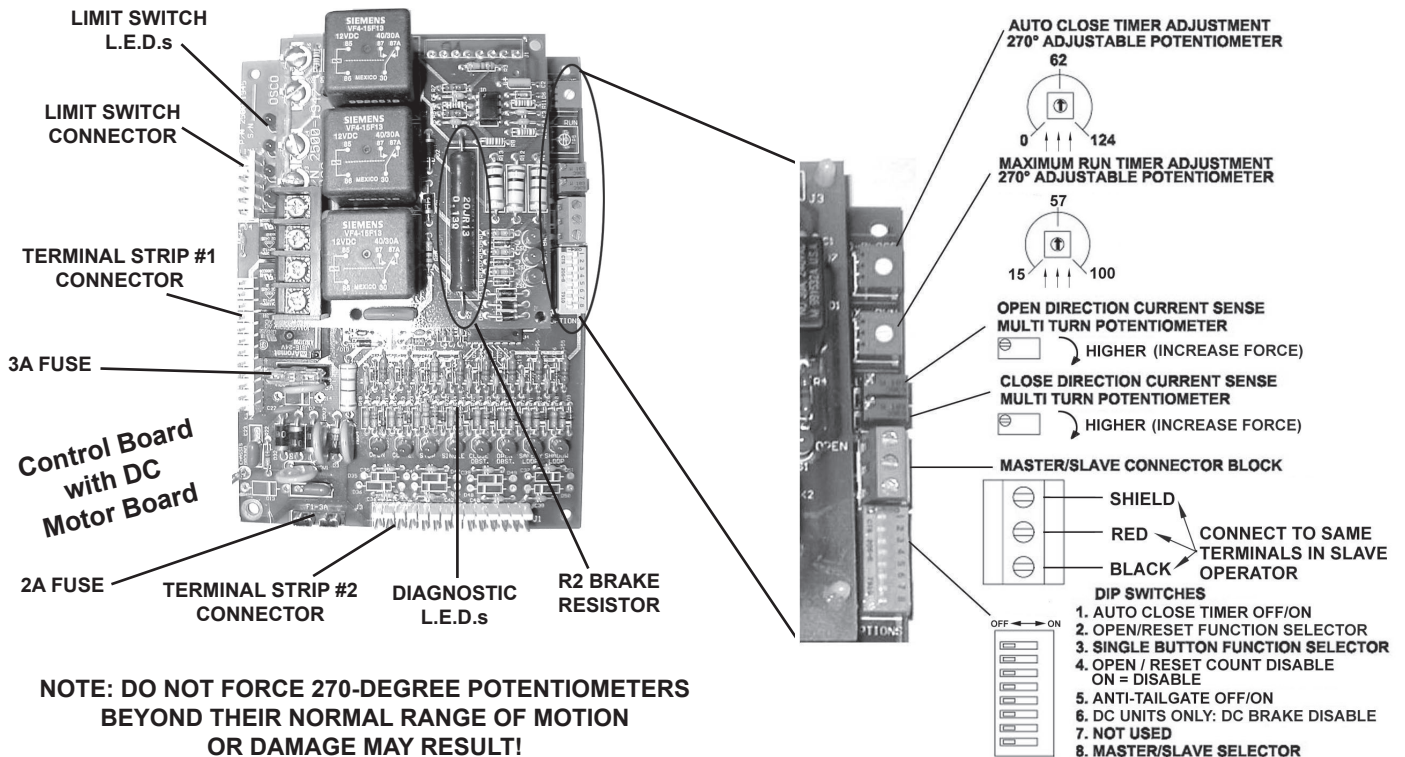


Power supply must be of correct voltage and phase.
Always follow national and local electrical codes when wiring and use a qualified electrician.
Always disconnect power from operator before servicing.
Keep clear of gate arm during operation.

All LINEAR gate operators are supplied with a power disconnect switch to turn on and off the power supply available to the operator. Incoming power should be brought into the operator and connected to the labeled pigtails in the disconnect box, following wiring specifications on Page 4. A wiring connections print can be found on the inside cover of the operator.

Proper thermal protection is supplied with the operator. The motor contains a thermal overload protector to protect from overheating the motor due to overload or high-frequency operation. This overload will reset automatically after the motor cools down.

CONTROL BOARD ADJUSTMENTS



Auto Close Timer Adjustment: This 270-degree adjustable potentiometer will signal the operator to close automatically, from the fully open position, provided no open, reversing or obstruction signals are present. The timer is adjustable from 0 to 124 seconds. This feature is turned off or on using dip switch #1.

Maximum Run Timer Adjustment: This 270-degree adjustable potentiometer should be left in the fully clockwise position on all barrier gate operators.

Open Direction Current Sense Adjustment: This multi-turn potentiometer is used to calibrate the built-in current sensing feature for detection of obstructions while running in the open direction.

Close Direction Current Sense Adjustment: This multi-turn potentiometer is used to calibrate the built in current sensing feature for detection of obstructions while running in the closed direction.


Master/Slave Connection Block: This terminal block is used in conjunction with two operators to configure two gates to open and close together.


Dip Switches:

- This switch turns the auto close timer off/on.
- This switch controls the behavior of the open/reset function in barrier gates only. When the switch is turned **ON**, a momentary open/reset pulse will cause the arm to raise and stay raised until a reset or another open/reset signal occurs. In the **ON** position, this switch also disables the counting function of Dip Switch #4. When the switch is turned **OFF**, the arm will lower as the open/reset signal is no longer present.
- This switch is used in conjunction with single-button controls and radio receivers. In the **ON** position, successive inputs will cause signals in the order of **OPEN-STOP-CLOSE-STOP**. In the **OFF** position, inputs will cause an **OPEN** signal unless the gate is fully open, in which case it will signal **CLOSE**.
- In the **OFF** position, for every open signal the barrier gate receives, there must be a reset signal before the arm will come down. In the **ON** position, this feature is disabled.
- In the **OFF** position, if two vehicles are close together and the second vehicle triggers the reset loop as the arm is coming down, the arm will stop until the second car is clear of the loop, then continue down. In the **On** position, the arm will continue down even when a second car triggers the reset loop. If the application requires that only a single vehicle pass through at a time, then this feature should be **ON**. In all other cases the feature should be left **OFF**, as the arm will come down onto a tailgating vehicle.
- In the **ON** position, this switch will disable the inherent DC brake in **DC operators only**. In addition, the R2 brake resistor on the DC motor board must be cut from the board (refer to the picture above). In the **OFF** position, the DC brake will function.
- Not used at this time.
- This switch is used to set Master/Slave configuration. Operators which are stand-alone or master units should be set to **OFF**, while only slave units should have this switch set to **ON**.

TERMINAL CONNECTION DESCRIPTIONS

TERMINALS	FUNCTION	DESCRIPTION OF FUNCTION
24VAC 24VAC N	24VAC	Provides 24Volt AC power for accessories. Note: DC models will NOT have 24Volt AC power available.
24VDC+ 24VDC- COMM.	24VDC	Provides 24Volt DC power for accessories.
1 & 4	OPEN	Opens the operator. Several accessories such as button stations, keypads, transmitters and card readers can be wired to open.
3 & 4	CLOSE	Closes the operator. Use caution when wiring accessories to these terminals. The gate must be clearly visible from the location of any accessories wired to close.
4 & 5	SINGLE-BUTTON	Performs the single-button function which will alternate between open and close or open, stop and close - depending on dip switch #3. (See Page 9 for details.)
2 & 4	STOP	Stops the operator. On barrier gate operators, this button is also the reset button.
4 & 6	REVERSE	This function will cause a reversal when the gate is traveling closed and will travel back to the fully open position. Loop detectors are often wired for reverse.
4 & 50	OPEN/RESET	A signal across these terminals will cause the arm of the barrier gate operator to raise and stay open until the signal is gone, at which point the arm will immediately begin to come down.
4 & 51	CLOSE OBSTRUCTION	This function works only while the arm is coming down. Any signal to this function will cause the arm to stop and fully reverse.
4 & 11	RESET	This function will cause the arm to come down as soon as the signal clears.
24VDC+ & 60	RUN	A 24Volt DC device such as a strobe light or alarm can be wired to these terminals. These devices will be powered while the motor is running. (See Page 9 for details.)

 **You must follow all required safety precautions and instructions at all times. Review the safety brochure included with the operator. If any pages are missing or unreadable, contact LINEAR at 1-800-333-1717 to request additional copies.**

 **Controls intended for user activation must be located at least six feet (6') away from any moving part of the gate and where the user is prevented from reaching over, under, around or through the gate to operate the controls. Outdoor or easily accessible controls shall have a security feature to prevent unauthorized use.**

 **Do not adjust the circuit board current sensing feature too high. It should be adjusted high enough to keep the gate arm from falsely triggering the sensing, but no higher than necessary for the barrier gate to operate. Do not defeat the purpose of this function!**

CURRENT SENSING ADJUSTMENTS

Because gates vary in construction and may have different force requirements in the open and close directions to move, the LINEAR control board has separate Multi-turn potentiometers for adjusting in both directions independently. The adjustment should be set light enough to maintain minimal force (40 lbs.) should an obstruction occur, but high enough to keep the gate moving under normal conditions without interruption.

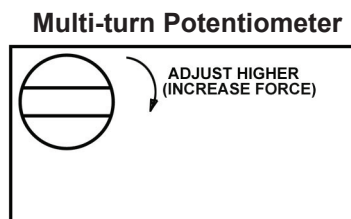
Prior to adjusting the operator current sensing functions, make sure the gate moves freely in both directions. A badly aligned or poorly maintained gate may cause false triggering of the current sensor. Refer to Page 9 when following the instructions below. A factory adjustment tool has been supplied to make these adjustments easier. This tool has been taped to the control box for your convenience.

CLOSE DIRECTION CURRENT SENSE ADJUSTMENT

When the gate operator leaves the factory, it has been preset for a relatively light gate function and will require additional adjustment. Begin by starting the gate going closed. If the operator stops and reverses, turn the close direction potentiometer (see Page 9) one turn higher, press the **STOP** button, and try again. Repeat this process until the gate no longer causes false tripping of the current sensor. Note that each time the gate operator reverses, the **STOP** button must be pressed. Next, turn the close direction potentiometer lower slowly while the operator is running the gate closed until the gate operator stops and reverses again. From this point, turn the close direction potentiometer higher by 1 1/2 turns for all 115 Volt AC and 24 Volt DC operators, and by 3/4 of a turn higher for all 230 Volt AC operators. Additional fine adjustment by 1/4 turns may be necessary to eliminate false triggering.

OPEN DIRECTION CURRENT SENSE ADJUSTMENT

Repeat the same process with the open direction potentiometer while running the gate in the open direction. Once this is done, run the gate through several complete cycles and make sure the gate does not false trip in either direction.



Remember it is important not to set the adjustment too high! Doing so will defeat the purpose of the current sensing as an obstruction detecting feature.

MAXIMUM RUN TIMER ADJUSTMENT

This adjustment is not used in barrier gate operators and should be turned fully clockwise.

AUTO CLOSE TIMER ADJUSTMENT

This adjustable potentiometer sets the length of time which elapses before the gate operator automatically closes the gate, from the fully open position, provided no open, reversing, or obstruction signals are present. This feature can be turned on or off via dip switch selection. See Page 9 for details. **Do not use the auto close timer without an appropriate reversing device installed!**

MASTER/SLAVE CONNECTION

A three-wire shielded conductor cable is required to connect master and slave operators. You must use Belden 8760 Twisted Pair Shielded Cable (or equivalent) **only** – LINEAR part number 2500-1982, per foot). See Page 9 for details of this connection, as well as dip switch selection. Note: The SHIELD wire should be connected in both the master and slave operators. **In addition, you must run power to both the master and slave operators.**

MODEL BGUS/BGUS-D • SG/SG-D OPERATOR INSTALLATION GUIDE

ONBOARD L.E.D. INDICATOR DESCRIPTIONS

Control Board L.E.D. Indicators:

OPEN	This indicator is lit when an open signal is present. This signal can come from such devices as button stations, radio receivers, keypads and telephone entry systems.
CLOSE	This indicator is lit when a closed signal is present. This signal typically comes from three-button stations.
STOP	This indicator is lit when there is a break in the stop circuit. Make sure there is a stop button wired in and working properly.
SINGLE	This indicator is lit when a signal from a single-button station or radio receiver is present.
CLOSE OBST	This indicator is lit when an open/reset signal is present. This signal can come from loop detector or other switch wired to oepn/reset input terminal #50.
OPEN OBST	This indicator is lit when an open/reset signal is present. This signal can come from a loop detector or switch connected to terminal #50.
REVERSING	This indicator is lit when a reversing signal is present. This signal is generated by a loop detector wired to the safety loop terminals.
SHADOW LOOP	This indicator is lit when a reset signal is present. This signal is generated by a loop detector wired to the reset loop terminal #11.
LH LSC-1 RH LSO-1	These indicators are lit when the open #1 limit switch is activated on a right-hand operator, or the close #1 switch on a left-hand. If this indicator is lit and the gate is not in its full open/closed position, the limit may need adjusting or the limit switch may need replacing.
LSC-2 LSO-2	
LSO-1 LSO-2	These indicators are lit when the close #1 limit switch is activated on a right-hand operator, or the open #1 on a left-hand. If this indicator is lit and the gate is not in its full open/closed position, the limit may need adjusting or the limit switch may need replacing.
LSC-1 LSC-2	

Motor Board L.E.D. Indicators:

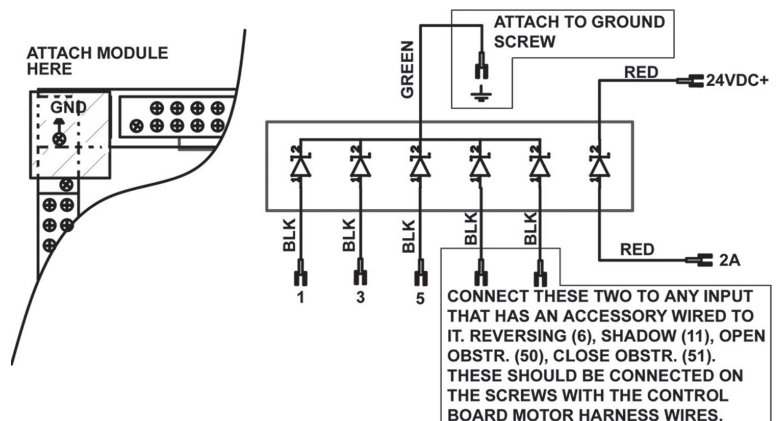
NON LABELED	One of these two indicators will be lit when the motor is running the gate open, and the other is lit when the motor is running the gate closed.
BRAKE REL.	This indicator is lit when the motor is running in either direction. This function is not used on this operator.

DC Operators Only:

AC POWER	Indicates AC power is supplying the unit.
DC POWER	Indicates the operator is running on batteries.
BATTERY CHARGING	Indicates batteries are being charged. Light goes out when batteries reach 90% of full charge.
OPEN GATE	Operator is in open then lockout stage.
POWER LOCKOUT	Flashes when controls/motor are in lockout mode.

SURGE PROTECTOR INSTRUCTIONS

The optional surge protector should be connected to any inputs that have an accessory connected to it. This includes the 3-button station, so it must be connected to 1, 2A and 3 in all cases. The green wire connected to ground, which is electrically the same as terminal 4. The red wires connect to terminals 2A and 24VDC+. This will cause the 2 amp fuse to blow if this section of the module becomes shorted. With any of the other inputs connected to the surge protector, if their protection line becomes shorted due to a surge over the rating of the module, the corresponding LED on the main board will remain lit, causing a constant signal to the controller. If this is found, please replace the entire surge protector with a new unit.

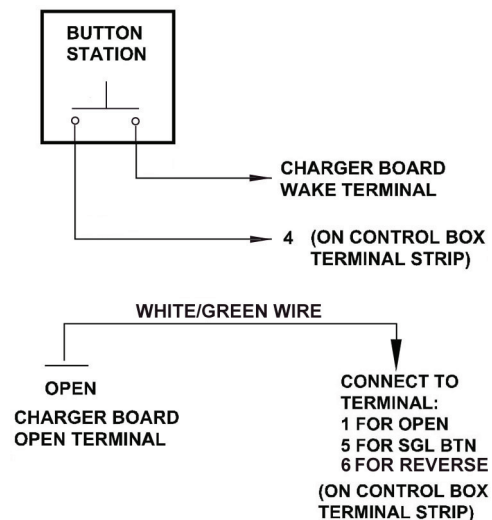
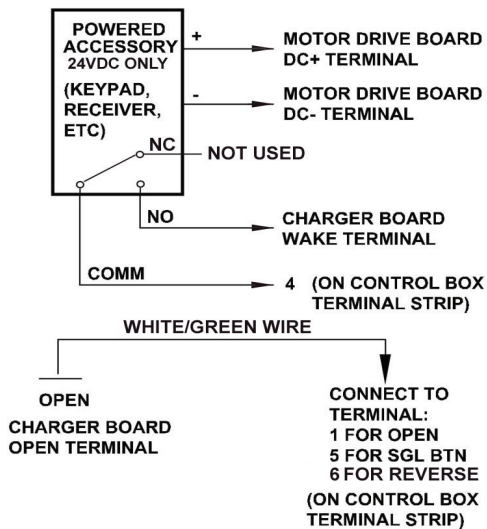
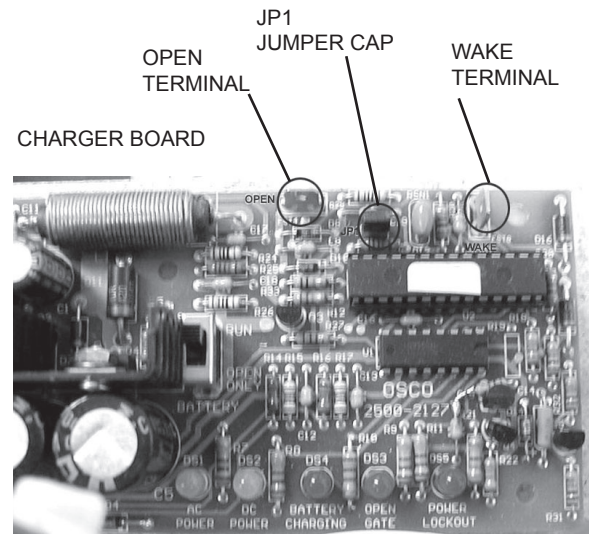


Do not simply unhook the shorted wire, as this removes the protection from the circuit that was saved by the protector in the first place!

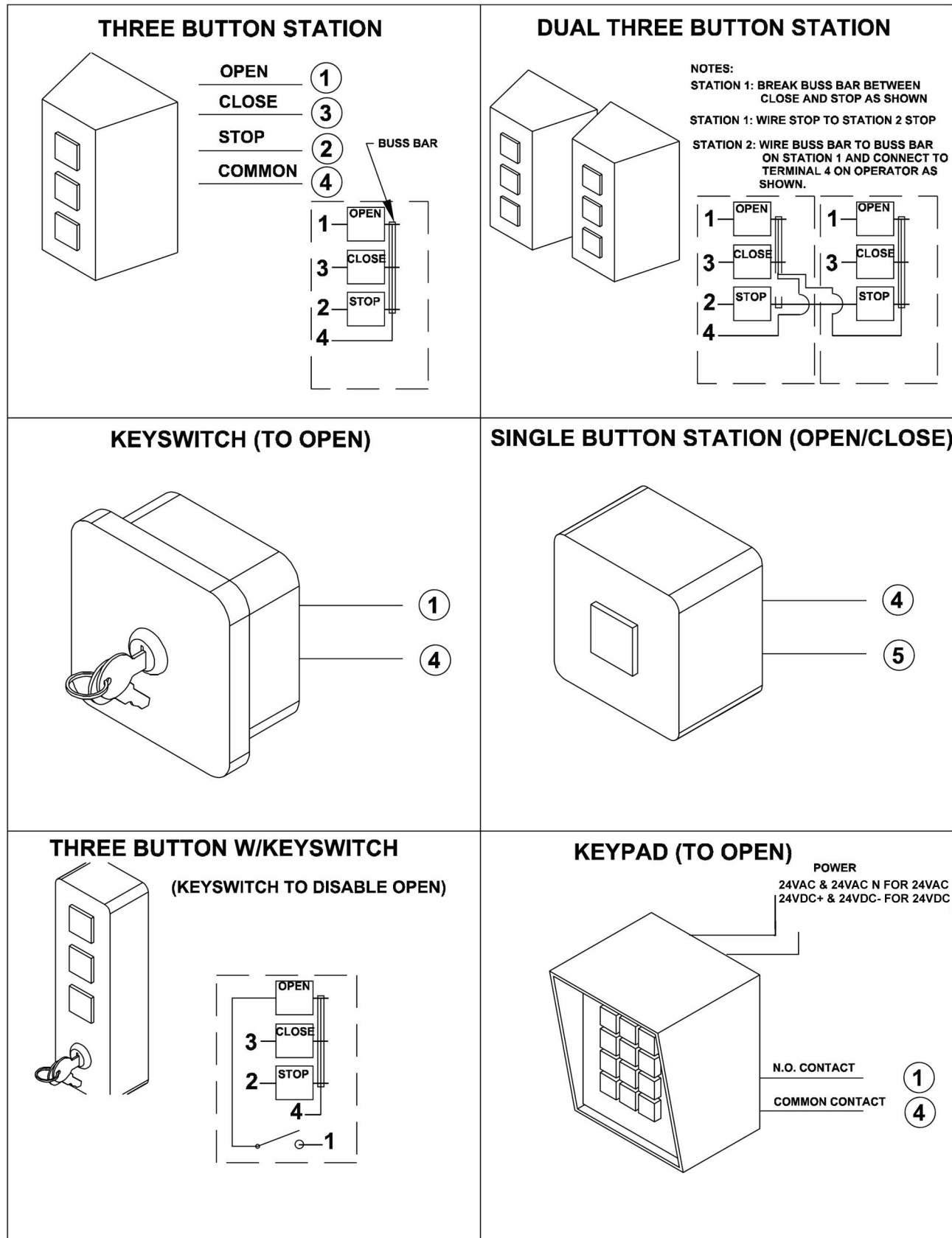
BGUS-D • SG-D CHARGER BOARD SLEEP MODE

When primary AC power is not available, the operator will continue to operate in battery only mode if the charger board is set in its RUN mode (see **Battery Backup Charger Configuration**). Accessories wired into the operator will continue to draw power, even when the operator is not opening or closing the gate. This can dramatically reduce the amount of standby time available from the batteries.

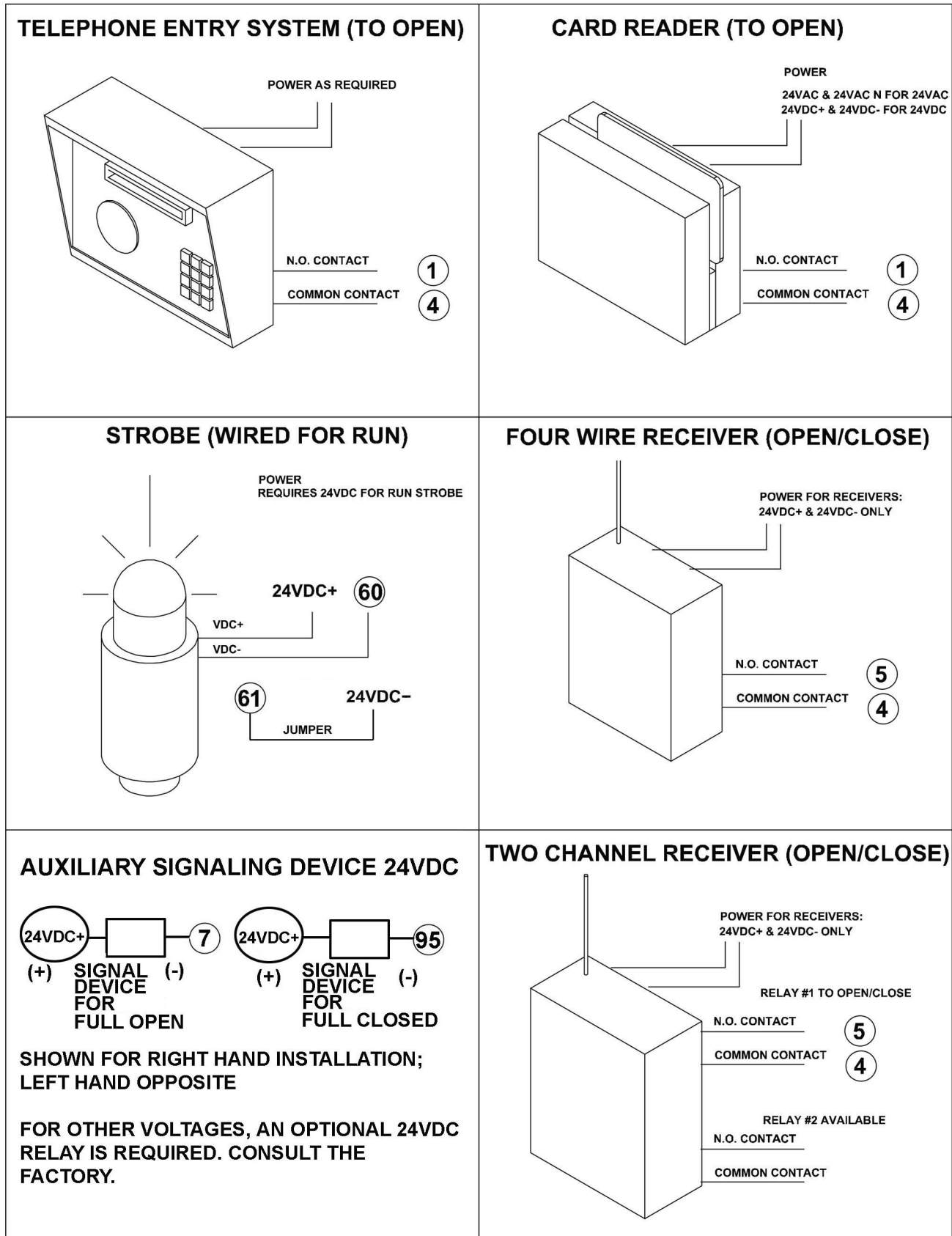
To extend the available standby time, the charger board has a “**sleep**” mode feature which will turn off power to all controls except for any that are wired according to the schematics below. By removing the black jumper cap **JP1** located in the upper right hand corner of the charger board this feature can be enabled. After fifteen minutes of inactivity, all controls except those wired as shown below will turn off. Those wired as shown will continue to have power at all times and will upon activation generate first a “wake” signal that will power all controls back up, and then create either an open signal or single button signal, depending on how the wire jumper shown below is connected.



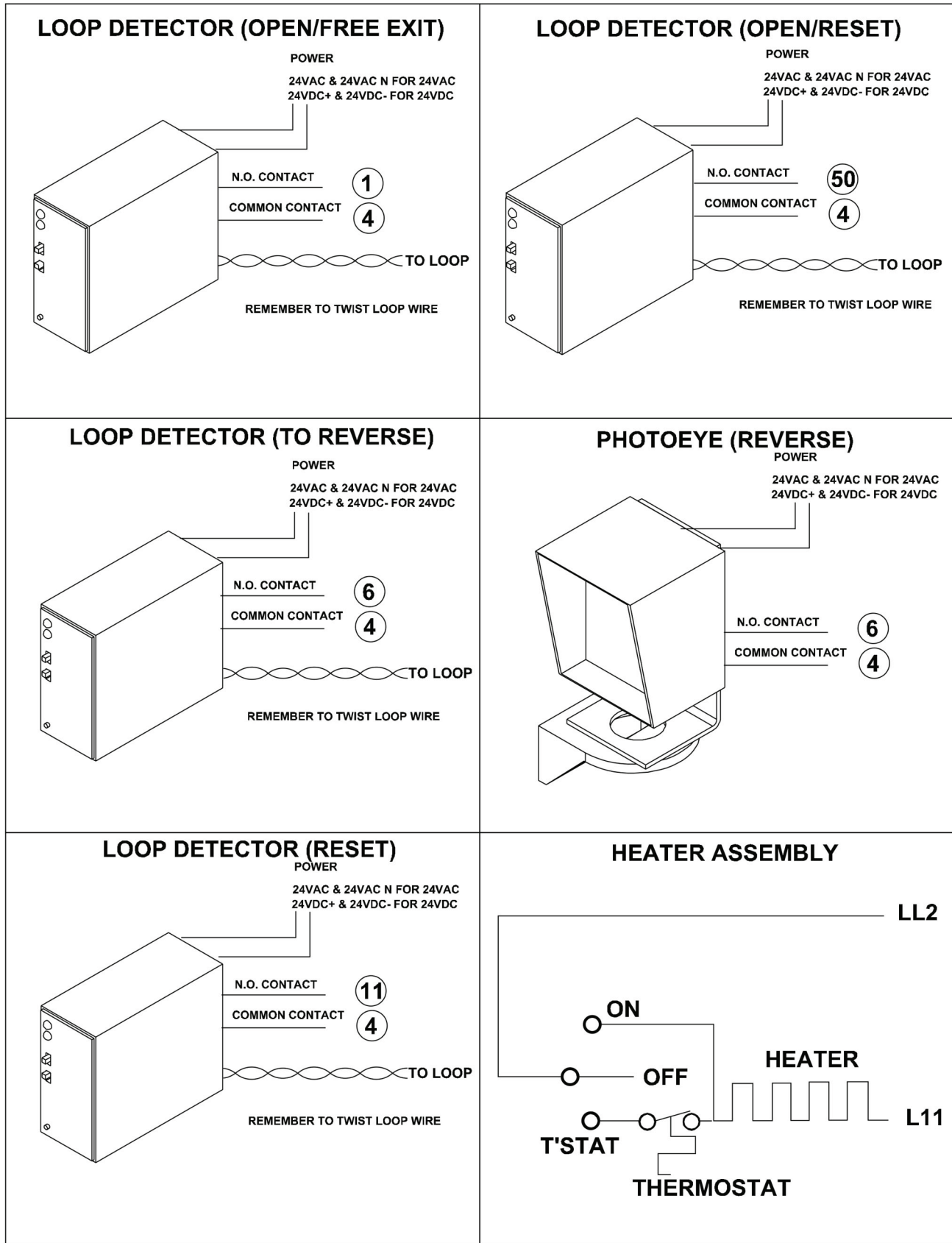
CONTROL and ACCESSORY CONNECTION ILLUSTRATIONS



CONTROL and ACCESSORY CONNECTION ILLUSTRATIONS



CONTROL and ACCESSORY CONNECTION ILLUSTRATIONS



TROUBLESHOOTING

Operator fails to start:

- A. If the operator has been running a large number of cycles, the motor may have gotten hot and tripped the overload. Allow the motor to cool down and press the overload reset button in bottom of motor.
- B. Make sure you have power at the master distribution panel and that the power has not been turned off.
- C. The secondary fuse on the control board may have blown. Replace the fuse (refer to control box parts lists on Page 27 or Page 28 for part number information).

Motor operates, but gate does not move:

- A. Check for broken or worn belts.
- B. Check all setscrews on pulleys and sprockets and tighten them if necessary, and check for keys which may have fallen loose from keyways.

Motor sounds like it is working harder than normal:

- A. Make sure the gate is moving freely and without binding throughout its entire travel.

Limit switch getting out of time:

- A. Check the setscrews in limit cams and limit sprockets for tightness. Replace if necessary.

Gate stopping part way open or closed (but no visible obstruction):

- A. The control board may have received a false obstruction input triggered by current sensing set too low. Make sure the gate moves freely through its entire travel before adjusting the current sensing.
- B. The maximum run timer may have counted down and expired. This can be caused by having the timer set too low, if a chain or belt is broken, or if a sprocket or pulley is slipping. When the timer expires, the gate stops and the stop button must be pressed to reset gate.
- C. An obstruction signal from an accessory wired to the obstruction input may have triggered falsely. Check the control board for lit L.E.D. indicators for any of the following inputs: safety, shadow, open obstruction, close obstruction, stop, etc. If any are lit when the operator should be running, remove all devices hooked to that function and hook them up one at a time and try to run the operator until the problem device is found. Refer to Page 12 for details on the control board indicators.

Gate staying open with automatic system:

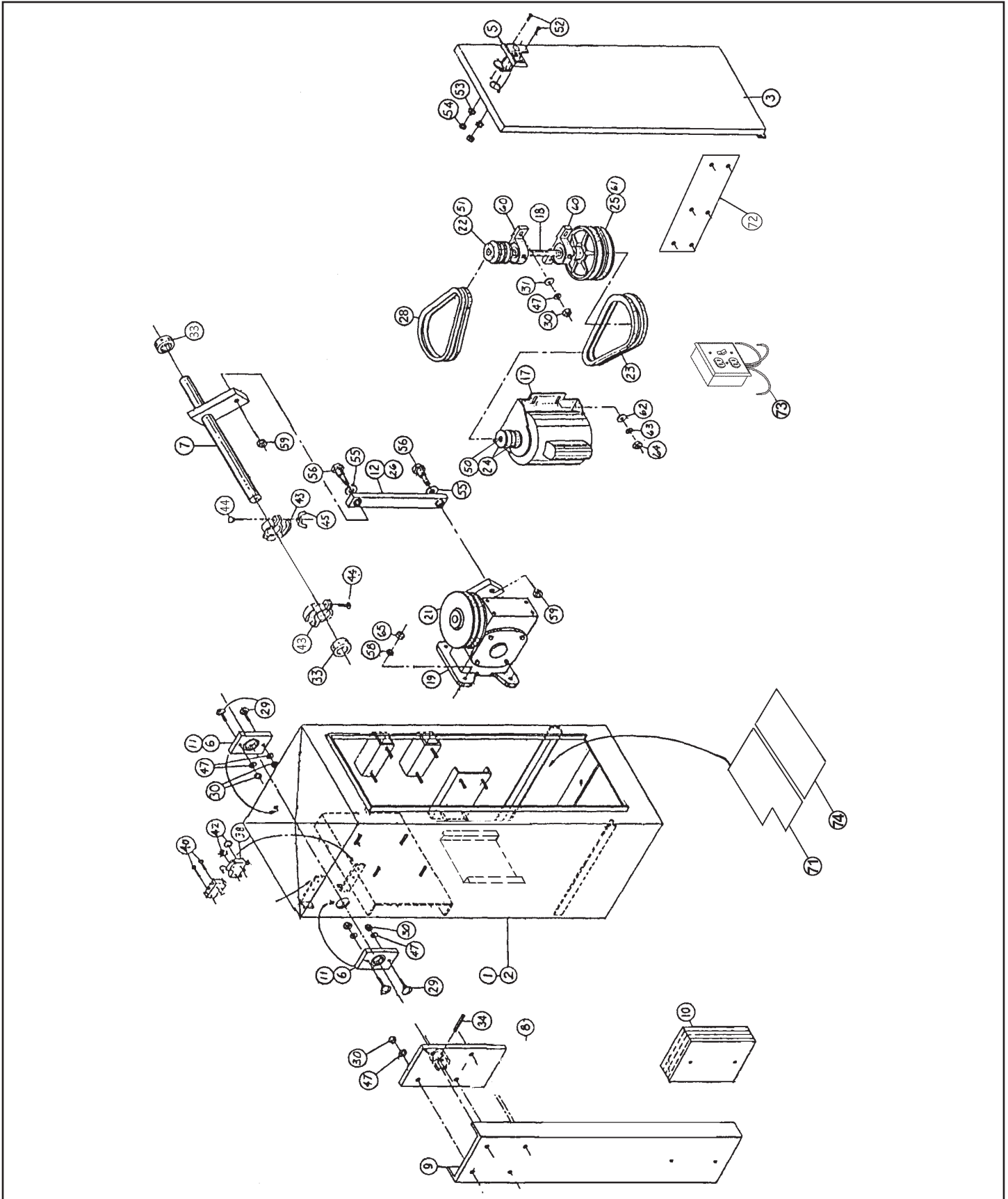
- A. If there are vehicle detectors in your machine which are set up for reverse, one of your loops or loop detectors may be sending a false signal. Disconnect the wire harness and try running the operator.
- B. An opening or reversing device may be stuck or malfunctioning. Try disconnecting these devices and hook them back up one at a time and try running the operator until the malfunctioning device is found.
- C. Make sure the close limit switch isn't activated. If it is, the operator will think the gate is already closed.

HOW TO ORDER REPLACEMENT PARTS

Use the part numbers listed on the following pages. Contact your **local LINEAR dealer** or **distributor** to order parts.

1. Supply the model number and serial number of your operator.
2. Specify the quantity of pieces needed and order by part number and name of part.
3. State whether to ship by freight, truck, parcel post, UPS or air express.
4. State whether transportation charges are to be prepaid or collect.
5. Specify name and address of person or company to whom parts are to be shipped.
6. Specify name and address of person or company to whom invoice is to be sent.

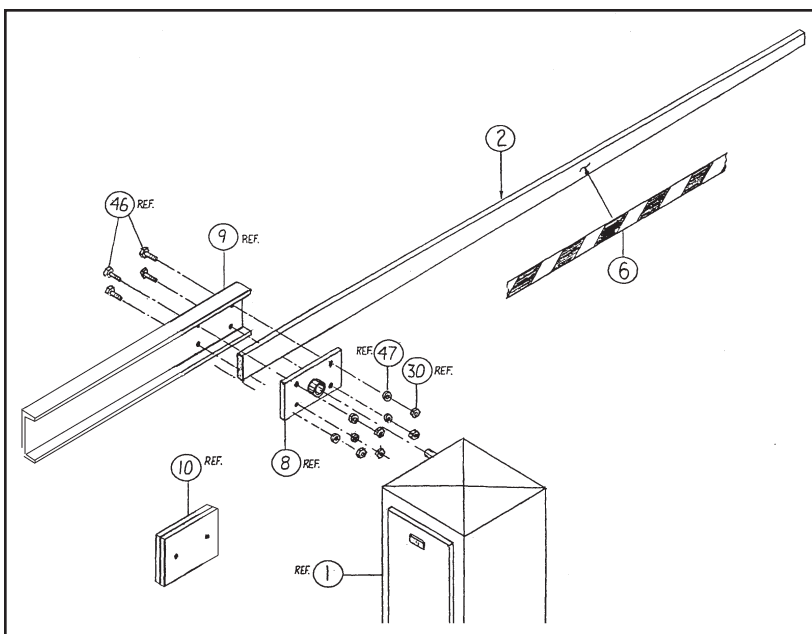
MODEL BGUS MECHANICAL PARTS EXPLODED VIEW



MODEL BGUS MECHANICAL PARTS LIST

Ref. No.	Part Number	Description	Ref. No.	Part Number	Description
2	2110-781*	Welded Cabinet Assembly	32	2400-182	Wing Nut, #10-32
3	2100-372*	Enclosure Door	33	2200-314	Set Collar, 1 1/4"
5	2220-008	Lock Assembly with Key	34	2400-474	Roll Pin, 3/8" x 1" x 2"
6	2110-746	Bearing Block Assembly Kit	35	2400-043	Star Washer, #10
7	2110-170	Drive Shaft Assembly	36	2400-032	Hex Nut, #10-32
8	2110-732	Gate Arm Flange	37	2400-049	Screw, #8 - 32 x 3/8", self-tap
9	2100-1925-BT	Arm Attachment Channel	38	2500-029	Limit Switch
10	2100-1926-BT	Counterweight	40	2400-246	Screw, #6 - 32 x 2 1/4", Pan-Head
12	2110-441	Connecting Link with Bearings	42	2400-069	Keps Nut, #6-32
26	2200-136	Flange Bearings	43	2300-028	Limit Cam
17	2500-2307	Motor, 1/2 HP, 115V, 1 Phase	50	2400-238	Key, 3/16" x 3/16" x 1 1/4"
	2500-2308	Motor, 1/2 HP, 208/230V, 1 Phase	51	2400-254	Key, Intermediate Shaft
	2500-2336	Capacitor for 2500-2307 Motor	55	2400-188	Thrust Washer
	2500-2337	Capacitor for 2500-2308 Motor	56	2400-165	Shoulder Bolt, 1/2" - 32 x 2"
18	2100-364	Intermediate Shaft	60	2200-222	Bearing, Pillow Block
19	2110-117	Reducer and Crank Arm assembly	61	2400-133	Key, Intermediate Shaft
21	2200-917	Reducer Pulley, 7" (2 required)	71	2100-1804	Rear Accessory Shelf
22	2200-918	Intermediate Pulley, 2" (2 required)	72	2100-1879	Power Box Mounting Plate
23	2200-151	V-Belt, 25" (2 required)	73	2510-251-C	Power On/Off Disconnect Box, 115VAC
24	2200-235	Motor Pulley, 1 5/8"		2500-1956	115VAC Duplex Receptacles only
25	2200-011	Intermediate Pulley, 6"		2500-1957	115VAC Switch only
28	2200-208	V-Belt, 26" (2 required)		2510-252-F	Power On/Off Disconnect Box, 230VAC
29	2400-178	Carriage Bolt, 3/8"-16 x 1 1/2"		2500-2205	230VAC Switch only
30	2400-015	Hex Nut, 3/8" -16	74	2100-1820	Front Accessory Shelf
31	2400-017	Flat Washer, 3/8"			

*Specify color and texture.

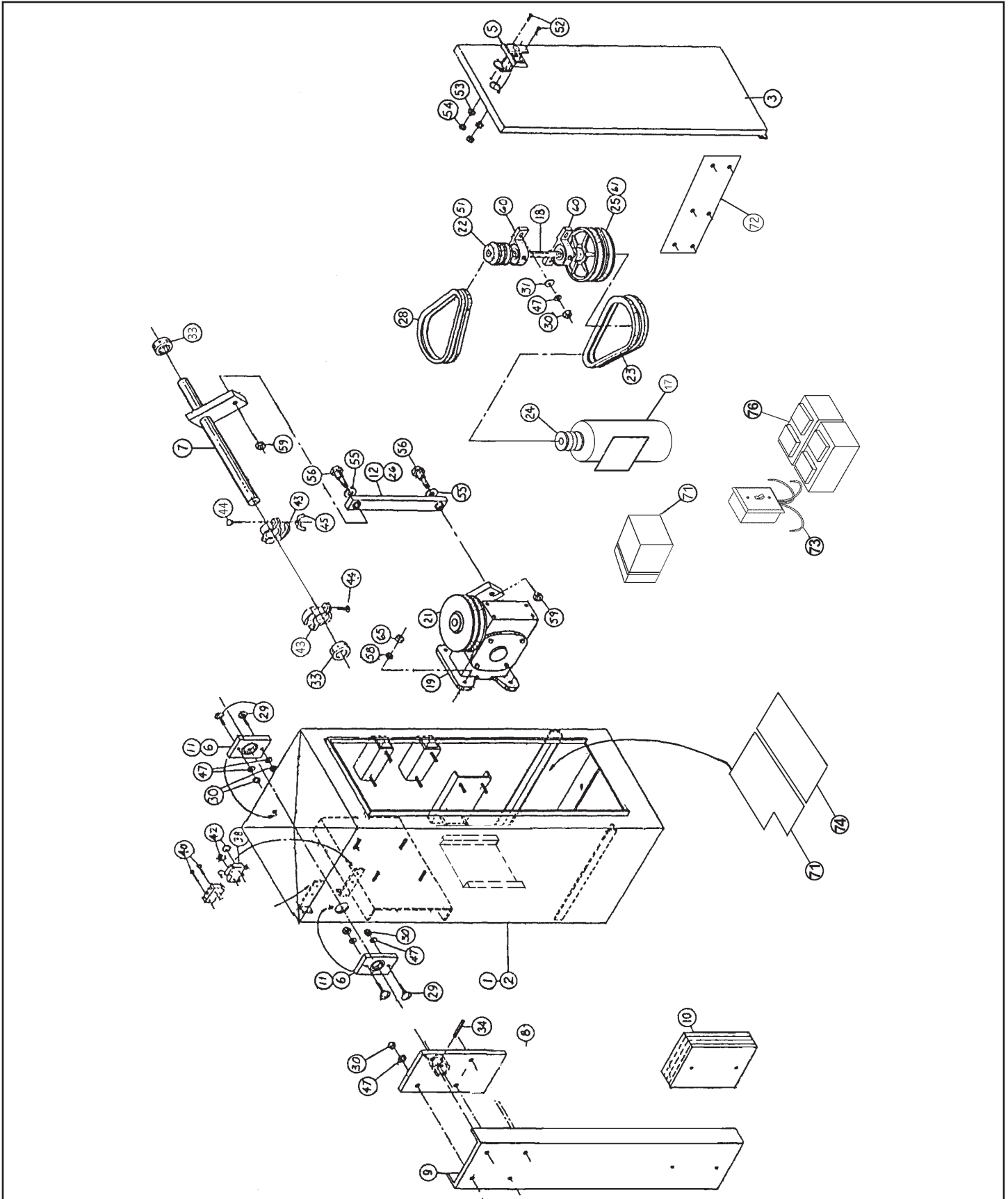


MODEL BGUS GATE ARM ASSEMBLY PARTS LIST

LINEAR Drawing #2700-084

Ref. No.	Part Number	Description
2	2120-330	Wood Arm, 16'
6	2300-663	Yellow/Black Caution Tape, 2"
8	2110-732	Gate Arm Flange
9	2100-1925-BT	Arm Attachment Channel
10	2100-1926-BT	Counterweight

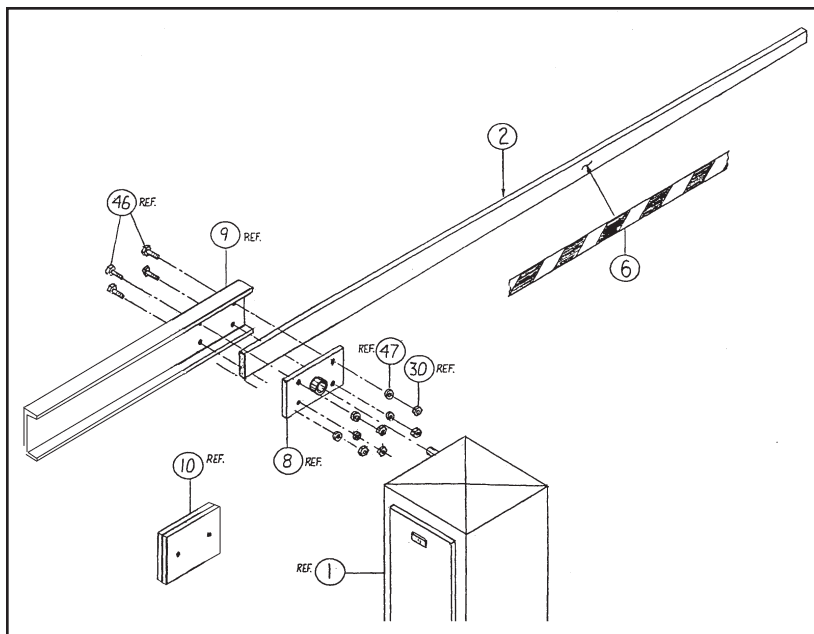
MODEL **BGUS-D** MECHANICAL PARTS EXPLODED VIEW



MODEL BGUS-D MECHANICAL PARTS LIST

Ref. No.	Part Number	Description	Ref. No.	Part Number	Description
2	2110-781*	Welded Cabinet Assembly	38	2500-029	Limit Switch
3	2100-372*	Enclosure Door	40	2400-246	Screw, #6 - 32 x 2 1/4", Pan-Head
5	2220-008	Lock Assembly with Key	42	2400-069	Keps Nut, #6-32
6	2110-746	Bearing Block Assembly Kit	43	2300-028	Limit Cam
7	2110-170	Drive Shaft Assembly	50	2400-238	Key, 3/16" x 3/16" x 1 1/4"
8	2110-732	Gate Arm Flange	51	2400-254	Key, Intermediate Shaft
9	2100-1925-BT	Arm Attachment Channel	55	2400-188	Thrust Washer
10	2100-1926-BT	Counterweight	56	2400-165	Shoulder Bolt, 1/2" - 32 x 2"
12	2110-441	Connecting Link with Bearings	60	2200-222	Bearing, Pillow Block
26	2200-136	Flange Bearings	61	2400-133	Key, Intermediate Shaft
17	2500-1902	Motor 24 VDC	71	2510-223	Transformer Assembly
	2510-243	Brush Replacement Kit		2500-1768	Bridge Rectifier
	2110-834	Motor Mounting Bracket (not shown)		2500-1769	Diode
18	2100-364	Intermediate Shaft		2500-1776	Transformer only, 115/24V, 250VA
19	2110-117	Reducer and Crank Arm assembly		2500-1819	Fuse Holder
21	2200-917	Reducer Pulley, 7" (2 required)		2500-1742	Fuse, 6A Slow-Blow
22	2200-918	Intermediate Pulley, 2" (2 required)	72	2100-1879	Power Box Mounting Plate
23	2200-1003	V-Belt, cogged, 25" (2 required)	73	2510-266	Power On/Off Switch Assembly
24	2200-235	Motor Pulley, 1 5/8"		2500-726	Switch only (20 Amp)
25	2200-011	Intermediate Pulley, 6"	74	2100-1820	Front Accessory Shelf
28	2200-208	V-Belt, 26" (2 required)	76	2500-182	Battery Assembly
29	2400-178	Carriage Bolt, 3/8"-16 x 1 1/2"		2500-1118	(LINEAR supplied - some distributors supply other batteries)
30	2400-015	Hex Nut, 3/8" -16		2300-450	Battery, 12V (2 required)
31	2400-017	Flat Washer, 3/8"			Velcro Tape, per foot
32	2400-182	Wing Nut, #10-32			
33	2200-314	Set Collar, 1 1/4"			
34	2400-474	Roll Pin, 3/8" x 1" x 2"			
35	2400-043	Star Washer, #10			
36	2400-032	Hex Nut, #10-32			
37	2400-049	Screw, #8 - 32 x 3/8", self-tap			

*Specify color and texture.

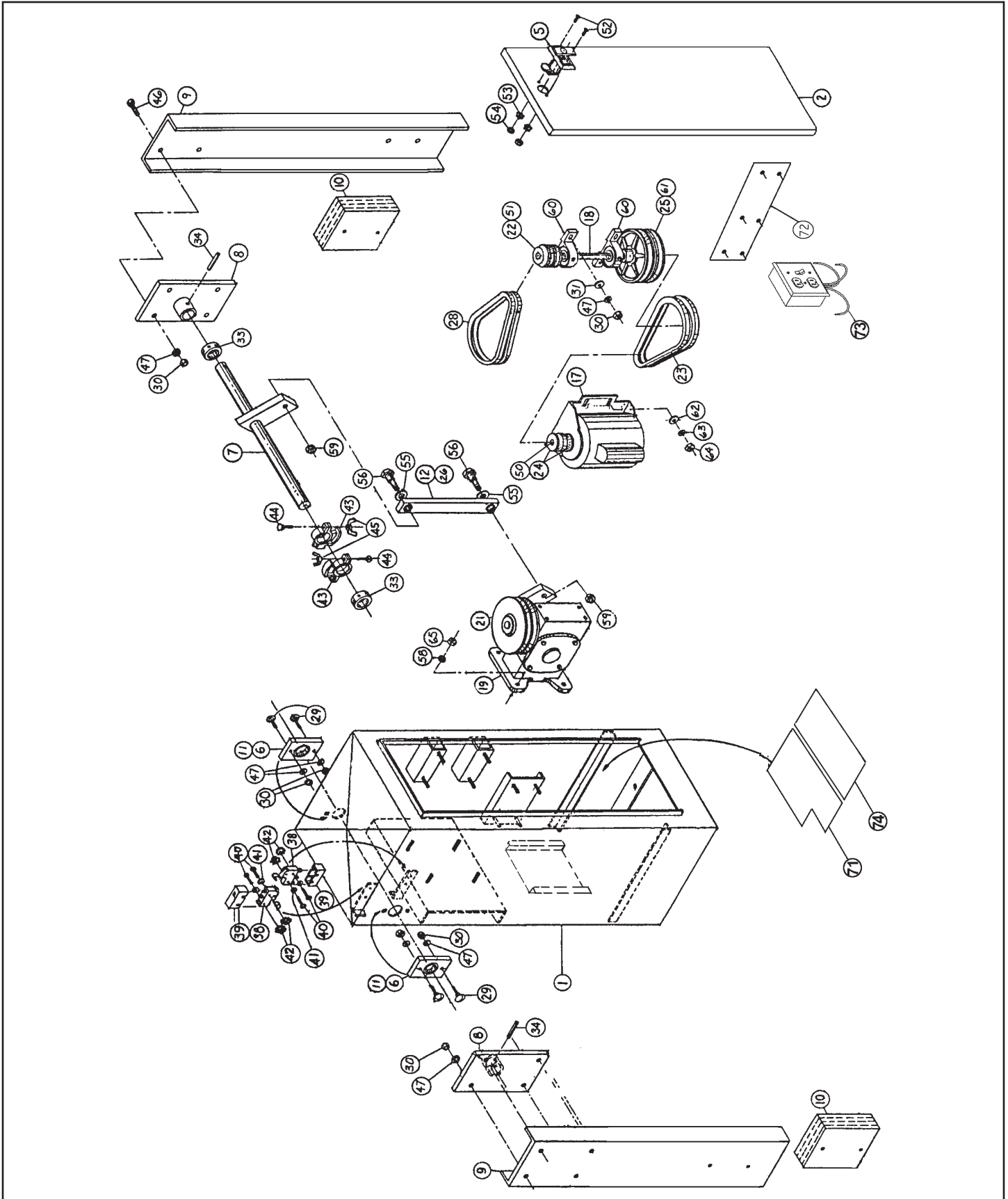


MODEL BGUS-D GATE ARM ASSEMBLY PARTS LIST

LINEAR Drawing #2700-084

Ref. No.	Part Number	Description
2	2120-330	Wood Arm, 16'
6	2300-663	Yellow/Black Caution Tape, 2"
8	2110-732	Gate Arm Flange
9	2100-1925-BT	Arm Attachment Channel
10	2100-1926-BT	Counterweight

MODEL **SG** MECHANICAL PARTS EXPLODED VIEW

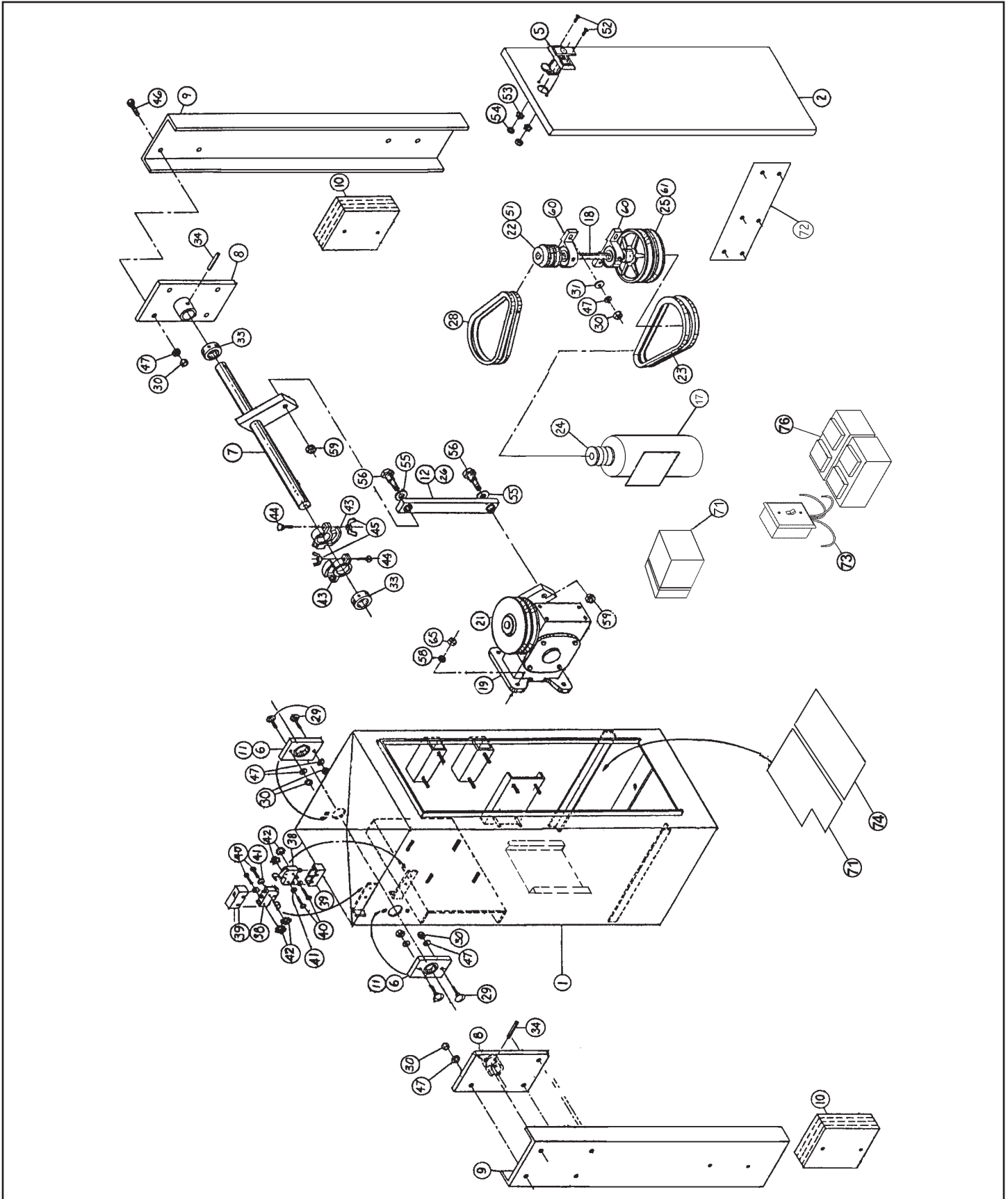


MODEL **SG** MECHANICAL PARTS LIST

Ref. No.	Part Number	Description
1	2110-780*	Welded Cabinet Assembly
2	2110-318*	Enclosure Door
5	2220-008	Lock Assembly with Key
6	2110-746	Bearing Block Assembly Kit
7	2110-034	Drive Shaft Assembly
8	2110-732	Gate Arm Flange
9	2100-1925-BT	Arm Attachment Channel
10	2100-1926-BT	Counterweight
	2110-441	Connecting Link with Bearings
26	2200-136	Flange Bearings only
17	2500-2090	Motor, 1/2HP, 115VAC
	2500-2091	Motor, 1/2HP, 230VAC
18	2100-364	Intermediate Shaft
19	2110-117	Reducer and Crank Arm Assembly
21	2200-917	Reducer Double Pulley, 7"
22	2200-918	Intermediate Pulley, 2" (2 required)
23	2200-151	V-Belt, 25" (2 required)
24	2200-235	Motor Pulley, 1 5/8"
25	2200-011	Pulley, 6" (2 required)
28	2200-208	V-Belt, 26" (2 required)
33	2200-314	Set Collar, 1 1/4"
34	2400-474	Roll Pin, 3/8" x 2"
38	2500-764	Limit Switch
43	2300-028	Limit Cam
50	2400-238	Key, 3/16" x 3/16" x 1 1/4"
60	2200-222	Pillow Block Bearing
	2510-064	Three-Button Station with Lead Wires
	2500-033	Standard Three-Button Station only
71	2100-1804	Rear Accessory Shelf
72	2100-1879	Power Box Mounting Plate
73	2510-251-C	Power On/Off Disconnect Box, 115VAC
	2500-1956	Duplex Receptacles only, 115VAC
	2500-1957	Switch only, 115VAC
	2510-252-F	Power On/Off Disconnect Assembly on 230VAC Models
	2500-2205	Switch only, 230VAC
74	2100-1820	Front Accessory Shelf

* Specify color and texture

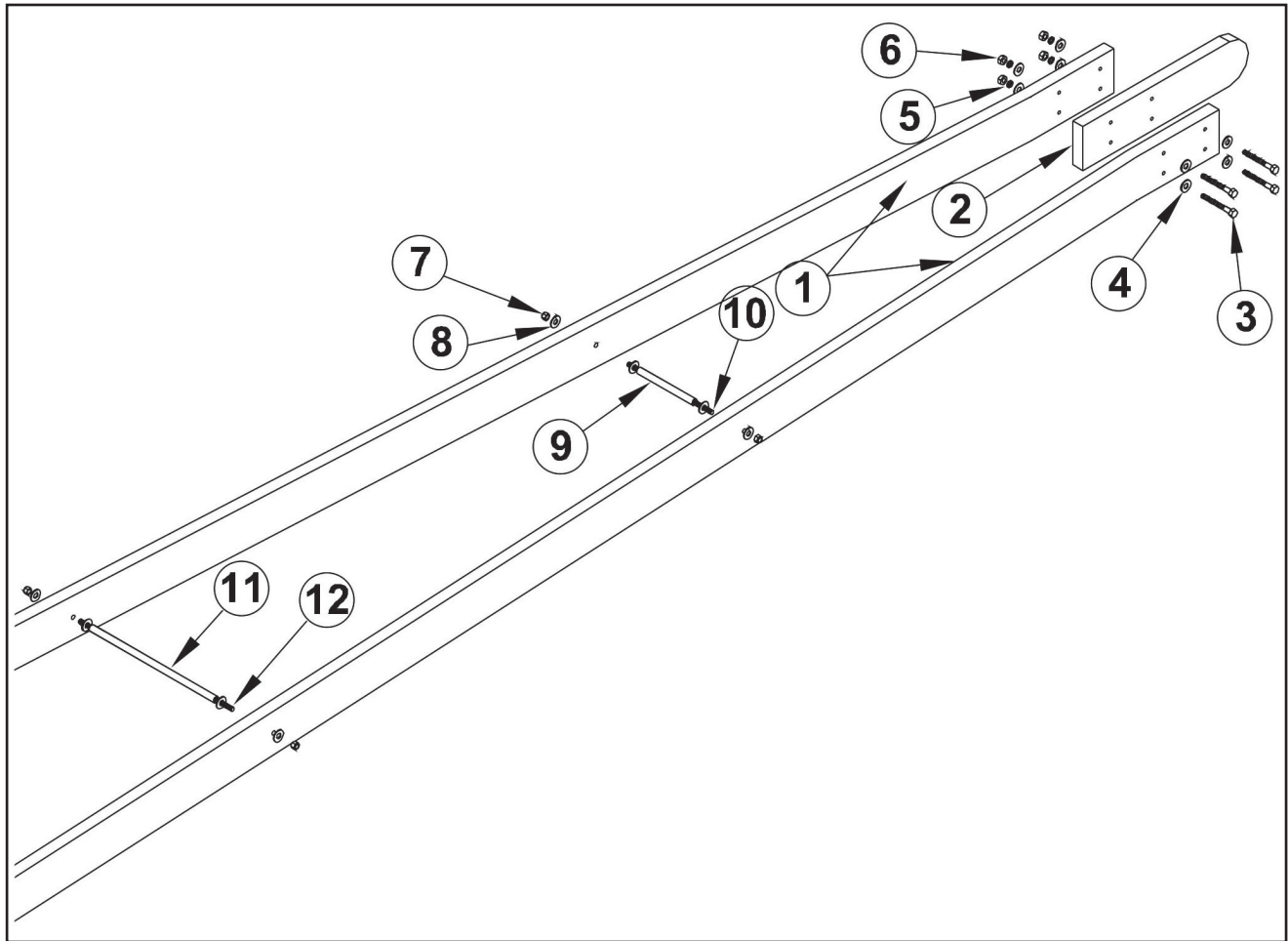
MODEL SG-D MECHANICAL PARTS EXPLODED VIEW



MODEL **SG-D** MECHANICAL PARTS LIST

Ref. No.	Part Number	Description
1	2110-780*	Welded Cabinet Assembly
2	2110-318*	Enclosure Door
5	2220-008	Lock Assembly with Key
6	2110-746	Bearing Block Assembly Kit
7	2110-034	Drive Shaft Assembly
8	2110-732	Gate Arm Flange
9	2100-1925-BT	Arm Attachment Channel
10	2100-1926-BT	Counterweight
	2110-441	Connecting Link with Bearings
26	2200-136	Flange Bearings only
17	2500-1902	Motor 24VDC
	2510-243	Brush Replacement Kit
	2110-834	Motor Mounting Bracket (not shown)
18	2100-364	Intermediate Shaft
19	2110-117	Reducer and Crank Arm Assembly
21	2200-917	Reducer Double Pulley, 7"
22	2200-918	Intermediate Pulley, 2" (2 required)
23	2200-1003	V-Belt, cogged, 25" (2 required)
24	2200-235	Motor Pulley, 1 5/8"
25	2200-011	Pulley, 6" (2 required)
28	2200-208	V-Belt, 26" (2 required)
33	2200-314	Set Collar, 1 1/4"
34	2400-474	Roll Pin, 3/8" x 2"
38	2500-764	Limit Switch
43	2300-028	Limit Cam
50	2400-238	Key, 3/16" x 3/16" x 1 1/4"
60	2200-222	Pillow Block Bearing
	2510-064	Three-Button Station with Lead Wires
	2500-033	Standard Three-Button Station only
71	2510-223	Transformer Assembly
	2500-1768	Bridge Rectifier
	2500-1769	Diode
	2500-1776	Transformer only, 115/24V, 250VA
	2500-1819	Fuse Holder
	2500-1742	Fuse, 6A Slow-Blow
72	2100-1879	Power Box Mounting Plate
73	2510-266	Power On/Off Switch Assembly
	2500-1956	Duplex Receptacles only, 115VAC
	2500-726	Switch only (20 Amp)
	2510-252-F	Power On/Off Disconnect Assembly on 230VAC Models
	2500-2205	Switch only, 230VAC
74	2100-1820	Front Accessory Shelf
76	2510-182	Battery Assembly (LINEAR supplied - some distributors supply other batteries)
	2500-1118	Battery, 12V (2 required)
	2300-450	Velcro Tape, per foot

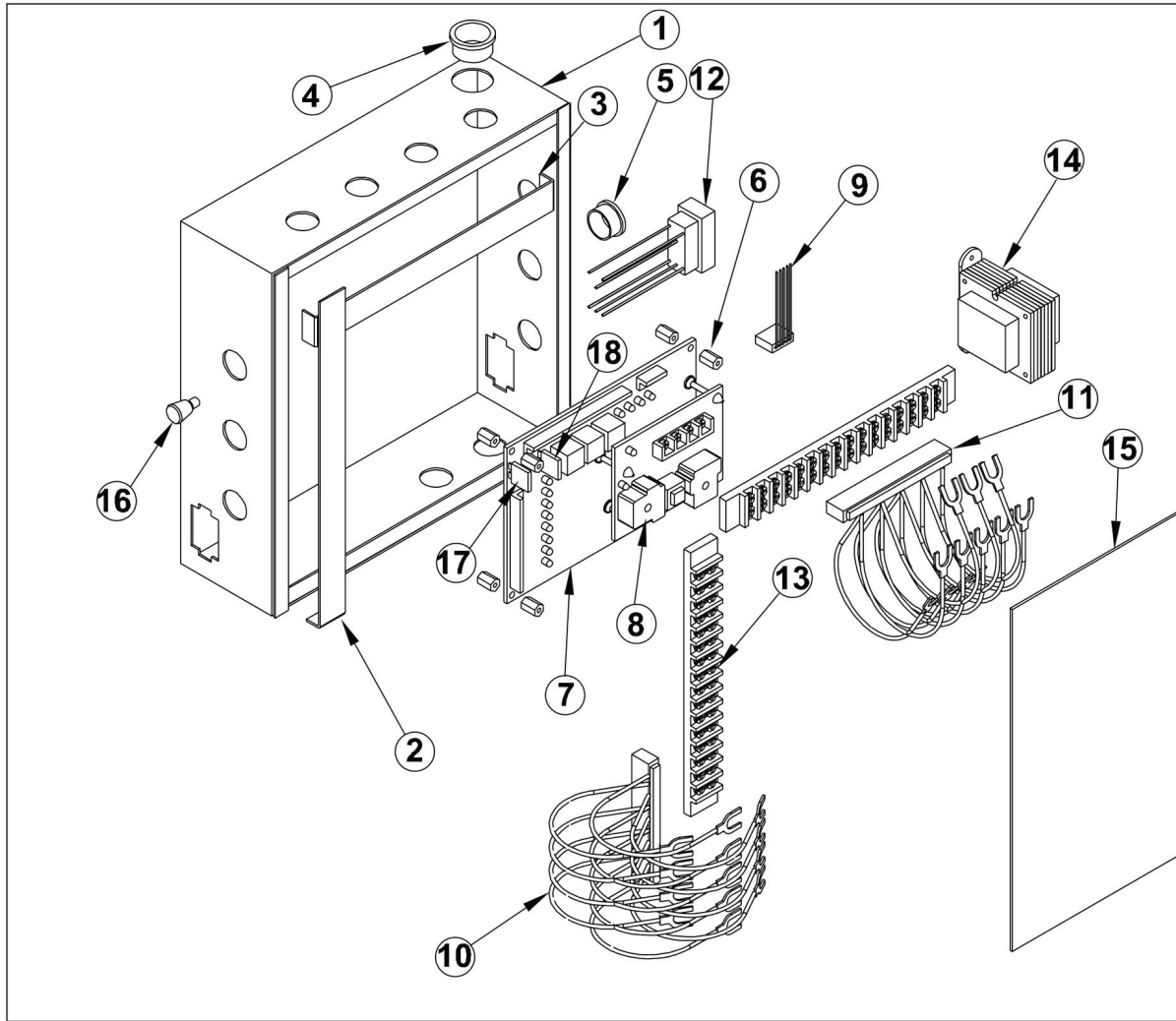
* Specify color and texture



MODEL SG/SG-D ARM PARTS LIST

<u>Ref. No.</u>	<u>Part Number</u>	<u>Description</u>
	2700-082	Arm Assembly, complete with hardware
	2700-082-NOHDWE	Arm Assembly, less hardware
	2110-756	Hardware only
1	2100-495	Wood Arm, 1" x 6" x 16' (2 required)
2	2100-496	Wood Extension Arm, 1" x 6" x 10'
3	2400-108	Screw, 3/8"-16 x 3" hex head
4	2400-017	Flat Washer, 3/8"
5	2400-016	Lock Washer, 3/8"
	2400-015	Hex Nut, 3/8" -16
7	2400-418	Nylon Lock Nut, 1/2" - 13
8	2400-376	Flat Washer, 1/2"
9	2100-1917	Mechanical Tube, 8" long
10	2100-1963	Threaded Rod, 1/2" - 13 x 12" long
11	2100-1916	Mechanical Tube, 18" long
12	2100-1962	Threaded Rod, 1/2" - 13 x 22" long
	2300-663	Yellow/Black 2" Caution Tape, per yard

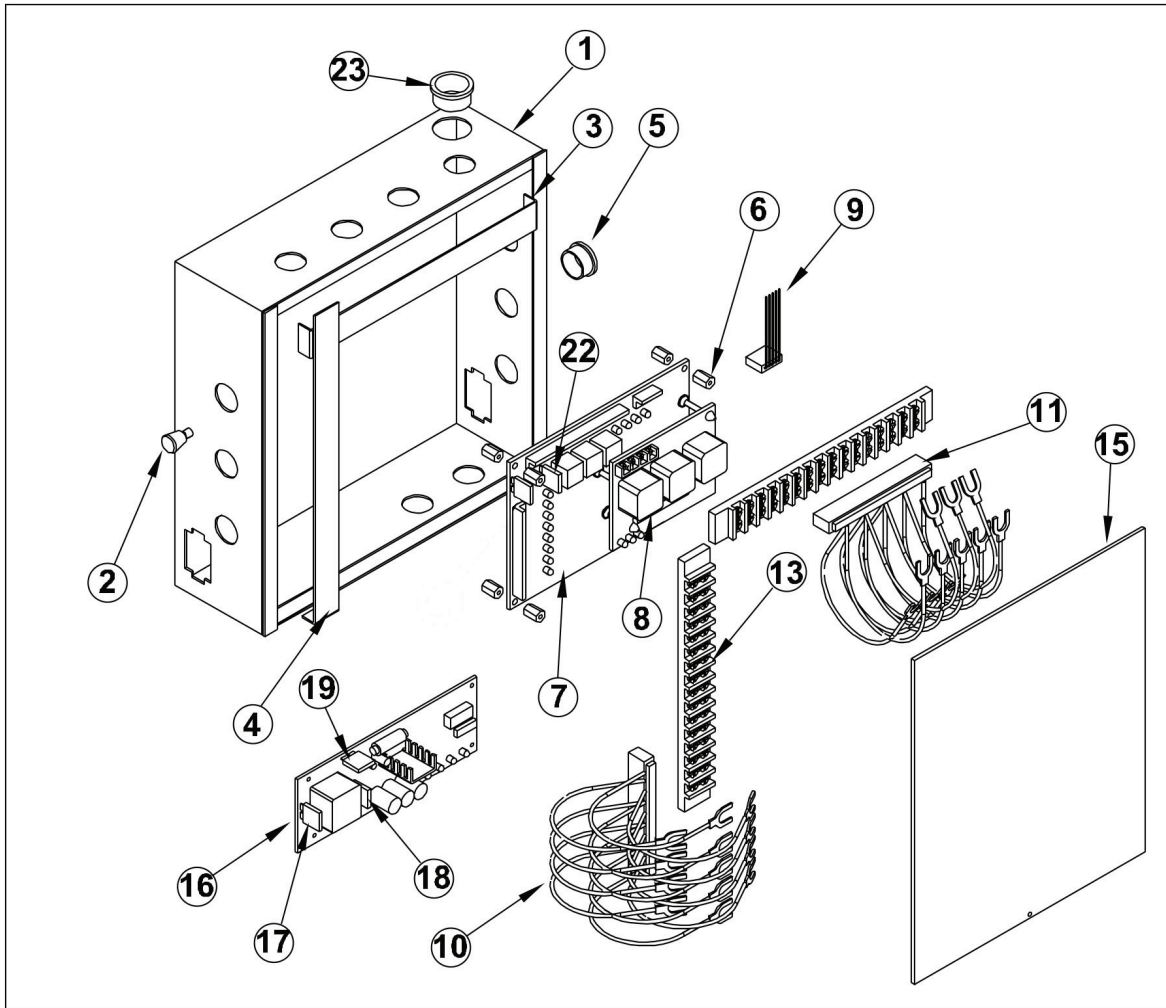
MODEL BGUS/BGUS-D • SG/SG-D OPERATOR INSTALLATION GUIDE



MODELS **BGUS/SG** CONTROL BOX PARTS LIST

REF NO.	PART NO.	DESCRIPTION	REF NO.	PART NO.	DESCRIPTION
1	2100-1778	Control Box Wrapper	15	2300-696	Clear Control Box Cover
2	2100-1761	Terminal Strip Bracket, output side	16	2200-876	Plunger, Spring Loaded
3	2100-1762	Terminal Strip Bracket, input side	17	2500-1966	Fuse for Control Board, 2 Amp
4	2300-735	Heyco Bushing, 1.09 diameter	18	2500-1975	Fuse for Control Board, 3 Amp
5	2200-122	Heyco Bushing, .87 diameter		2520-433	Complete Controller Assembly, 115VAC BGUS/SG (order limit harness separately)
6	2500-1948	Control Board Standoff		2520-449	Complete Controller Assembly, 230VAC BGUS/SG (order limit harness separately)
7	2510-303	Control Board for SG			
8	2500-1946	AC Motor Drive Board			
	2510-304	Control Board for SG with AC Motor Drive Board			
9	2520-444	Limit Switch Harness Assembly			
10	2510-249	Input Wire Harness Assembly			
11	2510-250	Output Wire Harness Assembly			
12	2510-261	Control Box Motor Harness Assembly			
13	2500-071	Terminal Strip, 16-141			
14	2500-212	Transformer, 115/24VAC, 40VA			
	2500-791	Transformer, 230/24VAC, 40VA			

MODEL BGUS/BGUS-D • SG/SG-D OPERATOR INSTALLATION GUIDE



MODEL BGUS-D • SG-D CONTROL BOX PARTS LIST

REF NO.	PART NO.	DESCRIPTION	REF NO.	PART NO.	DESCRIPTION
1	2100-1778	Control Box Wrapper	17	2500-2293	Circuit Breaker, 15 amp Auto-Reset
2	2200-876	Plunger, Spring Loaded	18	2500-2293	Circuit Breaker, 15 amp Auto-Reset
3	2100-1762	Terminal Strip Bracket, Input Side	19	2500-1975	Fuse, 3 Amp
4	2100-1761	Terminal Strip Bracket, Output Side	22	2500-1975	3 Amp Fuse for Control Board
5	2200-122	Heyco Bushing, .87 diameter		2520-395	Complete Controller Assembly 115VAC (order limit harness and mounting brackets separately)
6	2500-1948	Control Board Standoff	23	2300-735	Heyco Bushing, 1.09 diameter
7	2510-271	Control Board DC			
8	2500-1947	DC Motor Drive Board			
	2510-247	Control Board with DC Motor Board			
9	2520-444	Limit Switch Harness Assembly			
10	2510-249	Input Wire Harness Assembly			
11	2510-250	Output Wire Harness Assembly			
13	2500-071	Terminal Strip, 16-141 (2)			
14	2510-261	Control Box Motor Harness Assembly			
15	2300-696	Clear Control Box Cover			
	2300-733	Velcro Hook for Box Cover			
	2300-734	Velcro Loop for Box Cover			
16	2500-2127-CB	DC Chargerboard			

BATTERY MAINTENANCE

The gel-cell batteries in this operator require no routine maintenance. For assured continued performance, they should be replaced every year.

If power is to be removed for one week or more, disconnect the negative wire from the batteries as this will prevent deep discharging.

Fully charge before use after storage or upon initial installation.

BRUSH REPLACEMENT

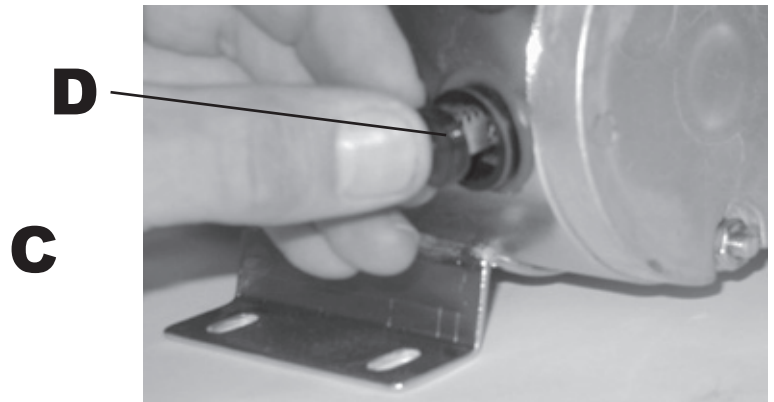
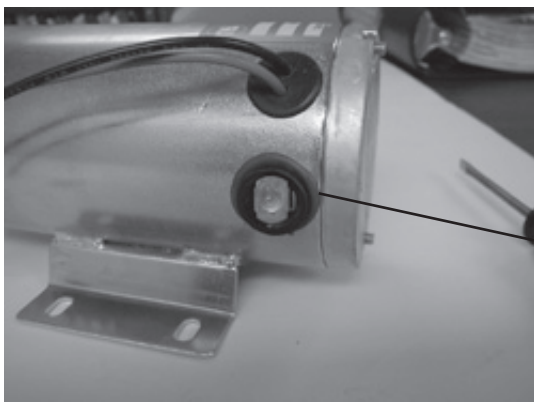
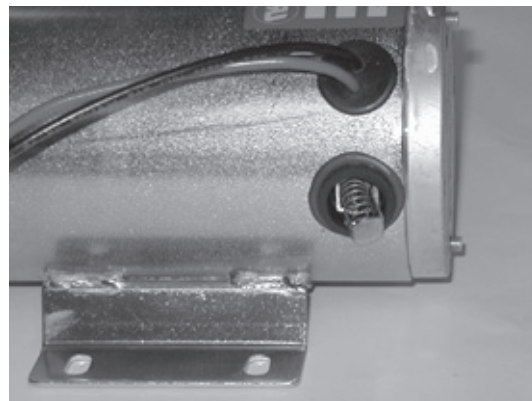
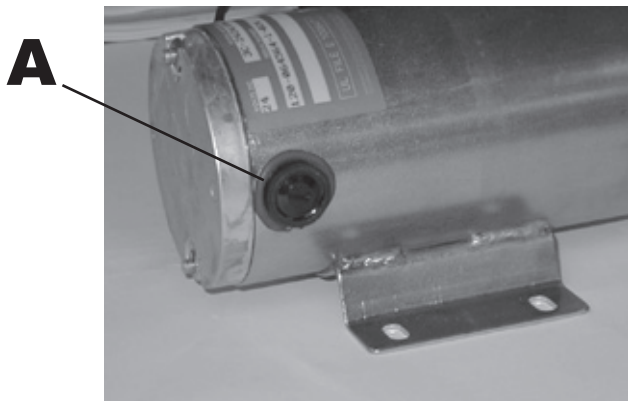
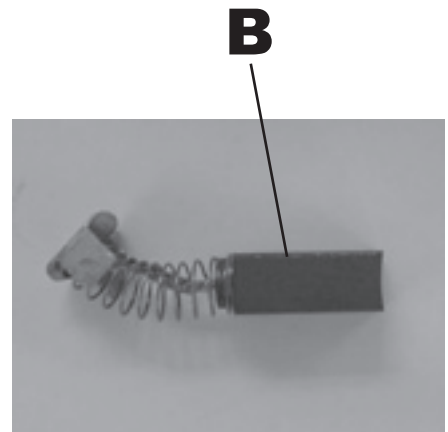
Brushes should be inspected every 100,000 cycles, (200,000 for BGU-D) or yearly, whichever comes first. The motor has two brushes, one on each side.

Original brushes are approximately 3/4" long and should be replaced when they are 1/4" long, or sooner. If brushes are allowed to wear beyond this point, permanent damage to the motor may result.

To inspect the brushes, remove retaining cap (A), with straight-blade screwdriver, and carefully pull assembly straight out. Measure remaining brush material (B).

To reinstall, place brush in hold, aligning rounded indentation (C), correctly with motor shaft. Gently push in spring and align contact with oval carrier, push in with retaining cap (D). Hold in place and thread cap into brush carrier. Do not overtighten or cap will crack! Repeat for other brush.

If brushes require replacement, order kit #2510-243.



PREVENTATIVE MAINTENANCE

IMPORTANT!

- Always disconnect power from operator before servicing.
- Keep clear of gate during operation.

GENERAL:

LINEAR gate operators are designed for many years of trouble-free operation and, under recommended operating conditions, will require only minimal maintenance. To ensure that your unit is ready for operation at all times--and to preclude serious damage or failure--inspect the unit systematically. Proper adjustments and lubrication should be made as recommended.

LUBRICATION:

Bearings. For models which have pillow block style bearings with greaseable fittings, lubricate at least twice a year with a lithium complex based, petroleum oil NLGI 2 rated grease. Oilite and precision sealed bearings do not require additional lubrication.

Motor. Motors have sealed ball bearings and do not require further lubrication. If bearing noise develops after several years of operation, bearings should be replaced by a motor repair company, or the motor should be replaced if necessary.

Drive Chain and Sprocket (slide gate models only). The main drive chain and sprockets should be inspected for wear, cleaned, and wiped down with a lightly oiled rag every six months.

Swing Gate Arm (swing gate models only). Check all bolts for proper tension and tighten if necessary. Make sure the arm folds overextends itself slightly against the overtravel stop to reduce the chance that the gate can be backdriven open. Adjust the close limit slightly if additional travel is required. Lightly lubricate all pivot points with a light machine oil.

Barrier Gate Arm (barrier gate models only). Check all bolts for proper tension and tighten if necessary. If the arm has been warped or damaged, replace as necessary.

ADDITIONAL SIX MONTH PREVENTATIVE MAINTENANCE:

1. For operators which utilize torque limiting clutches, check for proper tightness. If there appears to be dust from wear on the pads, inspect the pads and replace if necessary. If the clutch cannot be adjusted tightly enough to move the gate without slipping, the pads must be replaced.
2. For operators with V-belts, inspect for wear and replace as necessary. Check for proper tension and adjust if required. Check all pulley setscrews for tightness and tighten if necessary.
3. For operators with internal chain drives, inspect chain and sprockets for wear and replace if necessary. Check for proper tension and alignment, and adjust if required. Check all hub sprocket setscrews and tighten if required.
4. Check limit switches and limit actuators (cams, limit nuts, etc.) for wear and replace as required. In rotary limit switch assemblies, wipe the limit shaft clean and apply a light coating of dry lubricant.
5. For operators with magnetic brakes, check for proper adjustment. Brake disc must run free when the brake is engaged. For brake assemblies other than C-face style, the brake should be adjusted so that the solenoid plunger throw is between 3/8" to 1/2". Too much throw will damage the solenoid. **If the solenoid emits a loud buzzing sound when the motor is run, the brake must be adjusted.**
6. In operators which have a disconnect handle, inspect disconnect handle for proper function and lubricate if necessary. Use a lithium based grease on all moving parts.
7. Inspect all nuts and bolts for proper tightness and tighten as necessary.
8. Check all reversing devices for proper function. Inspect all contact edges for wear and replace if required. Check photo-eyes for proper alignment and function.
9. Check current sensing for proper adjustment when finished with inspection and maintenance.
10. Inspect the installation area. Are all the warning signs intact and visible? If they are missing or need replaced, contact LINEAR. Be sure there are no control stations mounted within reach of the gate. Review safety literature with the customer and advise them to remove any such stations found.

For slide and swing gate operators, you must inspect the gate for proper operation. The gate should move easily without binding through its entire travel. If the gate does bind, adjust or fix as required. Failure to keep the gate in good working condition will have adverse effects on the operator.

Date Prepared: February 02, 1996
Supersedes: January 07, 1995
MSDS Number: 225570

Cette fiche signalétique est aussi disponible en français

1. PRODUCT INFORMATION

Product Identifier: ESSO GEAR OIL GX 80W-90
Application and Use: Premium quality multigrade extreme pressure gear oil for use in automotive applications including some manual transmissions.
Product Description: A lubricating oil consisting of a saturated and unsaturated hydrocarbons derived from paraffinic distillate, and additives.

REGULATORY CLASSIFICATION

WHMIS: Not a controlled product
CEPA: CANADIAN ENVIRONMENTAL PROTECTION ACT
All components of this product are either on the Domestic Substances List (DSL) or are exempt.

TRANSPORTATION OF DANGEROUS GOODS INFORMATION

Shipping Name: Petroleum Lubricating Oil
Class: Not regulated Packing Group: Not regulated
PIN Number: Not regulated Guide Number: 129
Please be aware that other regulations may apply.

TELEPHONE NUMBERS

Emergency 24 hr. 519-339-2145
Technical Info. 800-268-3183

MANUFACTURER/SUPPLIER

IMPERIAL OIL
Products Division
111 St. Clair Ave. West
Toronto, Ontario M5W 1K3
416-968-4111

2. REGULATED COMPONENTS

The following components are defined in accordance with subparagraph 13(a) (I) to (IV) or paragraph 14(a) of the Hazardous Products Act:

NAME	%	CAS #
Not applicable		

3. TYPICAL PHYSICAL & CHEMICAL PROPERTIES

Physical State: Liquid
Specific gravity: not available
Viscosity: 15.50 cSt at 100 deg. C
Vapour Density: not available
Boiling point: 229 to 600 deg. C
Evaporation rate: <0.1 (1=n-butylacefate)
Solubility in water: negligible
Freezing/Pour Point: -27 deg. C D97
Odour Threshold: not available
Vapour Pressure: <0.1 kPa at 20 deg. C
Density: 0.89 g/cc at 15 deg. C
Appearance/odour: Dark brown liquid, petroleum hydrocarbon odour.

4. HEALTH HAZARD INFORMATION

NATURE OF HAZARD:
INHALATION: Negligible hazard at normal temperatures (up to 38 deg. C). Elevated temperatures or mechanical action may form vapours, mists or fumes which may be irritating to the eyes, nose, throat and lungs. Avoid breathing vapours or mists.
EYE CONTACT: Slightly irritating, but will not injure eye tissue.
SKIN CONTACT: Low toxicity. Frequent or prolonged contact may irritate the skin.
INGESTION: Low toxicity.
ACUTE TOXICITY DATA: Based on animal testing data from similar materials and products, the acute toxicity of this product is expected to be:
Oral: LD50 > 5000 mg/kg (rat)
Dermal: LD50 > 3160 mg/kg (rabbit)
Inhalation: LC50 > 5000 mg/m3 (rat)
OCCUPATIONAL EXPOSURE LIMIT:
ACGIH recommends: For oil mists, 5 mg/m3. Local regulated limits may vary.

5. FIRST AID MEASURES

INHALATION: Vapour pressure of this material is low and as such inhalation under normal conditions is usually not a problem. If overexposed to oil mist, remove from further exposure. Administer artificial respiration if breathing has stopped. Keep at rest. Call for prompt medical attention.
EYE CONTACT: Flush eyes with large amounts of water until irritation subsides. If irritation persists, get medical attention.
SKIN CONTACT: Flush with large amounts of water. Use soap if available. Remove severely contaminated clothing (including shoes) and launder before reuse. If irritation persists, seek medical attention.
INGESTION: If swallowed, DO NOT induce vomiting. Keep at rest. Get prompt medical attention.

6. PREVENTIVE AND CORRECTIVE MEASURES

PERSONAL PROTECTION: The selection of personal protective equipment varies, depending upon conditions of use. In open systems where contact is likely, wear safety goggles, chemical-resistant overalls, and chemically impervious gloves. Where only incidental contact is likely, wear safety glasses with side shields. No other special precautions are necessary provided skin/eye contact is avoided. Where concentrations in air may exceed the occupational exposure limits given in Section 4 and where engineering, work practices or other means of exposure reduction are not adequate, approved respirators may be necessary to prevent overexposure by inhalation.
ENGINEERING CONTROLS: The use of local exhaust ventilation is recommended to control emissions near the source. Laboratory samples should be handled in a fume-hood. Provide mechanical ventilation of confined spaces.

HANDLING, STORAGE AND SHIPPING: Keep containers closed. Handle and open containers with care. Store in a cool, well ventilated place away from incompatible materials. Do not handle or store near an open flame, sources of heat, or sources of ignition. Odorous and toxic fumes may form from the decomposition of this product if stored at temperatures in excess of 45 deg. C for extended periods of time or if heat sources in excess of 121 deg. C are used. Empty containers may contain product residue. Do not pressurize cut, heat, or weld empty containers. Do not reuse empty containers without commercial cleaning or reconditioning.

LAND SPILL: Eliminate source of ignition. Keep public away. Prevent additional discharge of material. If possible to do so without hazard. Prevent spills from entering sewers, watercourses or low areas. Contain spilled liquid with sand or earth. Recover by pumping or by using a suitable absorbent. Consult an expert of disposal or recovered material. Ensure disposal in compliance with government requirements and ensure conformity to local disposal regulations. Notify the appropriate authorities immediately. Take all additional action necessary to prevent and remedy the adverse effects of the spill.
WATER SPILL: Remove from surface by skimming or with suitable absorbents. If allowed by local authorities and environmental agencies, sinking and/or suitable dispersants may be used in unconfined waters. Consult an expert on disposal of recovered material. Ensure disposal in compliance with government requirements and ensure conformity to local disposal regulations. Notify the appropriate authorities immediately. Take all additional action necessary to prevent and remedy the adverse effects of the spill.

7. FIRE AND EXPLOSION HAZARD

Flashpoint and method: 178 deg. C COC D92
Autoignition: NA Flammable Limits: LEL: NA UEL: NA

GENERAL HAZARDS:

Low hazard; liquids may burn upon heating to temperatures at or above the flash point. Decomposes; flammable/toxic gases will form at elevated temperatures (thermal decomposition). Toxic gases will form upon combustion.
FIRE FIGHTING: Use water spray to cool fire exposed surfaces and to protect personnel. Shut off fuel to fire.
Use foam, dry chemical or water spray to extinguish fire. Respiratory and eye protection required for fire fighting personnel. Avoid spraying water directly into storage containers due to danger of boilover. A self-contained breathing apparatus (SCBA) should be used for all indoor fires and any significant outdoor fires. For small outdoor fires, which may easily be extinguished with a portable fire extinguisher, use of an SCBA may not be required.
HAZARDOUS COMBUSTION PRODUCTS: Smoke, carbon monoxide, carbon dioxide and traces of oxides of sulphur. Alkyl mercaptans and sulfides may also be released.

8. REACTIVITY DATA

STABILITY: This product is stable. Hazardous polymerization will not occur.
INCOMPATIBLE MATERIALS AND CONDITIONS TO AVOID: Strong oxidizing agents.
HAZARDOUS DECOMPOSITION: Smoke, carbon monoxide, carbon dioxide, oxides of sulphur and phosphorus. Alkyl mercaptans and sulfides may also be released.

9. NOTES

This MSDS has been revised in Section 3.

10. PREPARATION

Date Prepared: February 02, 1996
Prepared by: Lubricants & Specialties
IMPERIAL OIL
Products Division
111 St. Clair Ave., West
Toronto, Ontario M5W 1K3
800-268-3183

CAUTION: "The information contained herein relates only to this product or material and may not be valid when used in combination with any other product or material or in any process. If the product is not to be used for a purpose or under conditions which are normal or reasonably foreseeable, this information cannot be relied upon as complete or applicable. For greater certainty, uses other than those described in Section 1 must be reviewed with the supplier. The information contained herein is based on the information available at the indicated date of preparation. This MSDS is for the use of Imperial Oil. Customers and their employees and agents only. Any further distribution of this MSDS by Imperial Oil customer is prohibited without the written consent of Imperial Oil."

IMPERIAL OIL
Products Division

ESSO GEAR OIL GX 80W-90

Linear[®]

Building On Innovation.

USA & Canada (800) 421-1587 & (800) 392-0123
(760) 438-7000 - Toll Free FAX (800) 468-1340
www.linearcorp.com