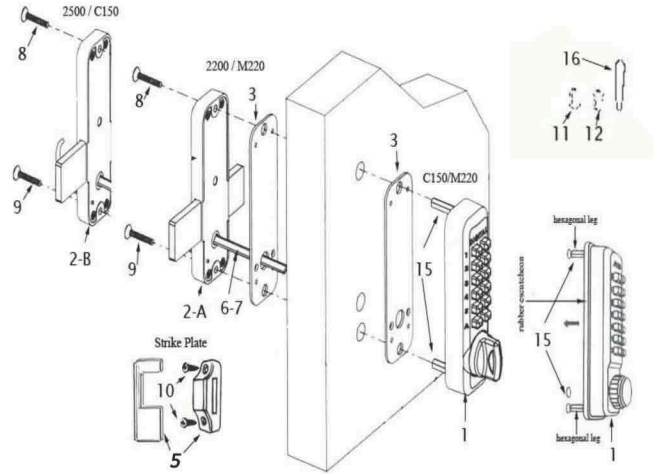


Installation Instructions

2200, M220 – Surface Mount

2500, C150-Hook Bolt

No.	Name of Parts	Model No. M-220/2200	Model No. C-150/2500
1	Outside Body	1	1
2A	Inside Body 2200 /M220 Surface Rim Deadbolt	1	1
2B	Inside Body C-150 / 2500 Surface Hook Bolt	1	1
3	Rubber Escutcheon	2	2
4	Mortised Strike (Not Shown)	1	1
5	Surface Strike	1	1
6	Spindle for 45-55 mm	1	1
7	Spindle for 35-45 mm	1	1
8	Machine Screw M4 x 55mm	2	2
9	Machine Screw M4 x 45mm	2	2
10	Wood Screw	2	2
11	Extra Combination Tumblers (Red)	2	2
12	Extra Non-Combination Tumblers (Blue)	2	2
13	Spacers for Body (1/16" , 5/64") (Set Not Shown)	1	1
14	Spacer for Surface Strike (Set Not Shown)	1	1
15	Hexagonal Bolts	2	2
16	Tweezers	1	1

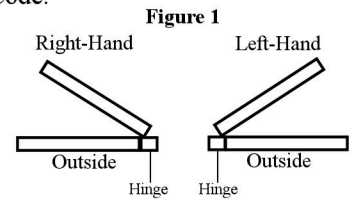


Step One: Change User Code

- Refer to "How to Change the Code" instructions (enclosed in packaging) and change your User Code prior to installing the lock.
- ALWAYS hold down the "C" button/turn the thumb knob (M220/C-150) while changing the User Code.

Step Two: Determine Door-Handing

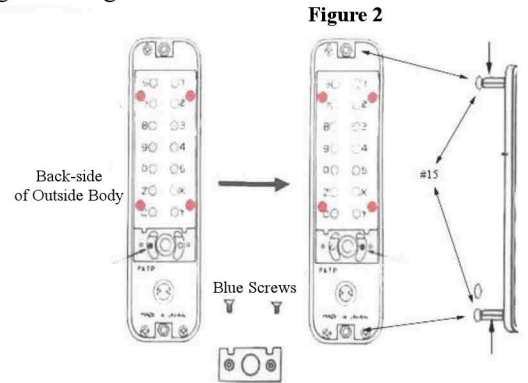
To determine your door's handing, from the outside of the door, check which side of the door the hinges are on. From the outside, a right-handed door has hinges on the right side. A left-handed door has hinges on the left side.



The Digital Door Lock is preset for a right-handed door. See instructions below to change handing pin for a left-handed door.

For a Left-Hand door, change HANDING PIN as follows:

- Remove the 2 Blue Screws (use a #1 Phillips) from the back of the combination side of the lock.
- Remove the silver PIN with the Tweezers (included) and place in the opposite hole.
- Replace the rectangular cover and secure with the 2 Blue Screws.



Step 3: Adjust Surface Deadbolt Length (M220/2200 ONLY)

Depending on the door configuration, you may need to adjust the length of the slide bolt. To change, remove the Silver Screws on the Inside Body and adjust between the long and short bar. Once the correct length is determined, replace the screws.

Step 4: Install the Digital Door Lock

- Using the template provided, determine where the Digital Door Lock will be installed.
- Mark the hole center for 3-holes on the surface of the door through the template and make 3-holes 5/16" in diameter.
- Place the Rubber Escutcheon (Black Trim Plate) on the back side of the Outside Body. Then, insert the 2 hexagonal bolts (#15) on the Outside Body into the holes at the top and bottom of the lock.
- Determine the proper spindle size depending on the thickness of the door (See Figure 3).

Installation Instructions

2200, M220 – Surface Mount

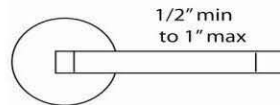
2500, C150-Hook Bolt

SPINDLE SIZE:

Figure 3

For Door Thickness:	Use Spindle Size:
1 - 49/64" to 2 - 11/64"	45mm To 55 mm
1-3/8" to 1 - 49/64"	35mm to 45mm
63/64" to 1-3/8"	25mm to 35mm

NOTE: When outside body is in place, position spindle through door into the outside body. The spindle should stick out between ½" minimum up to 1" maximum.



- e. Place outside body onto the exterior of the door.
- f. The spindle should be inserted through the Spindle Hole of the inside of the door into the outside body. ½" minimum up to 1" maximum should stick out.
- g. Place the Rubber Escutcheon (Black Trim Plate) to the back side of the inside body, and place it on the door.
- h. Fasten the inside body with the two machine screws to the top and bottom of the inside body, ensuring that the screws are properly inserted into the outside body hexagonal bolts.
- i. Check the lock to make sure the hook / slide bar is retracting appropriately by turning the outside and inside knob.
- j. If the installed position of the inside body is not flush with the position of the surface strike, adjust the spacing using supplied spacers spacing the lock further away from the face of the door.
- k. Strike Plate Position – Select mortised strike or surface strike. For surface strike plate, install it at the position which the hook / slide bolt slides to the door jamb with wood screws.

NOTE FOR DOORS UNDER 1" THICK:

If this lock is used on applications under 1" thick, you will need to cut the spindle to size and drill out inside body to accept a M5 screw (Not Supplied)

HOW TO USE THE DIGITAL DOOR LOCK

- a. The Digital Door Lock is locked and unlocked by turning the inside knob.
- b. The Digital Door Lock is locked by turning the outside knob.
- c. The Digital Door Lock is unlocked by clearing the lock (pushing) the "C" button (models 2200/2500) or turning the thumb knob (models M-220 / C-150) followed by entering your new User Code and turning the outside knob.

ATTENTION:

- a. Always ensure lock is working before locking the door
- b. Always press the "C" button or turn thumb knob (Models M-220 / C-150) on the combination side before entering the code
- b. Never oil the lock (The lock is Teflon-coated. Use of lubricants may damage the lock and result in void of warranty)
- c. Never remove the silver screws from the outside body
- d. Always hold in clear position "C" (models 2200/2500) or turn knob (models M-220 / C-150) while changing the code



LOCKEYUSA LIFETIME MECHANICAL WARRANTY

LockeyUSA Inc. warrants to the original purchaser of the **LOCKEY KEYLESS ENTRY LOCK** that, should it prove defective by reason of improper workmanship, LockeyUSA Inc. will replace or repair, for the **LIFETIME** of the lock, at LockeyUSA Inc's portion at no charge if shipped prepaid with dated proof of purchase during the warranty period to:

Send ALL Warranty work (including Proof of Purchase) to:

LockeyUSA Warranty Department
4245 S. Lincoln Road
Mt. Pleasant, MI 48858

THE WARRANTY DOES NOT COVER defects caused by modifications, alterations, repairs or service by anyone other than LockeyUSA Inc, physical abuse to, or misuse of the product or its operation in a manner contrary to the instructions. WARRANTY IS VOID if silver screws are removed or tampered with from the back of the combination side of the lock. If any type of lubricant, oil, grease or any other substance is placed within the interior of the lock, the Warranty will be void. Under no circumstance shall LockeyUSA Inc be liable to purchaser or any other person due to any special or consequential damages, whter arising from breach of warranty, breach of contract or otherwise, including, but not limited to, loss of property resulting from the failure of security or any other cause. WARRANTY is for mechanical defects to the lock. Although LockeyUSA Inc uses only the finest protective coatings, finishes may wear due to natural elements and causes beyond the control of LockeyUSA Inc. Wear to the finish is not considered to be a defect. Any lock that has been abused beyond the point of normal wear and tear will not be repaired. LockeyUSA Inc does not warrant this lock from damage due to improper installation, or against the consequences of use for which this lock was not designed. Warranty does not cover key override locks.